


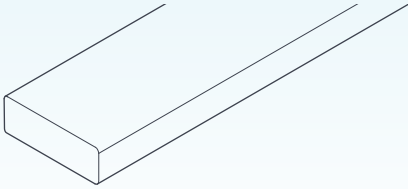
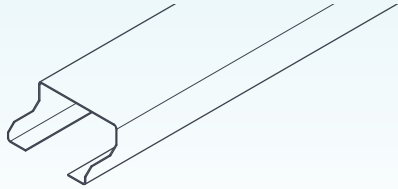


# INSTALLATION GUIDE

## TOOLS REQUIRED

- Cordless Drill
- Driver Bit (to suit Decking Screw)

## COMPONENTS

<p>Decking Screw (Not Included)</p> 	<p>Flooring (Not Included)</p> 	<p>Floor Beam x4</p> 
-----------------------------------------------------------------------------------------------------------------------------	--------------------------------------------------------------------------------------------------------------------	----------------------------------------------------------------------------------------------------------------

# HANDI-POD® GARDEN SHED FLOORING KIT

## BEFORE YOU START

Handi-Pod® Garden Shed **HP1** requires one Flooring Kit to be used in the flooring assembly. Handi-Pod® Garden Shed **HP2** requires two Flooring Kits to be used in the flooring assembly. Choose a suitable flooring material for your needs. Stratco stores offer a range of flooring materials. Enquire with your local Stratco store for more details.

If the shed is anchored to individual concrete pads, additional pavers must be laid onto compacted soil in order to support the Floor Beams as per Figure 1.0 - 1.1. If the shed is anchored to a single concrete slab, no additional pavers are required.

For Handi-Pod® Garden Shed **HP1** anchored to individual concrete pads, three 600mm x 600mm pavers must be laid out as per Figure 1.0.

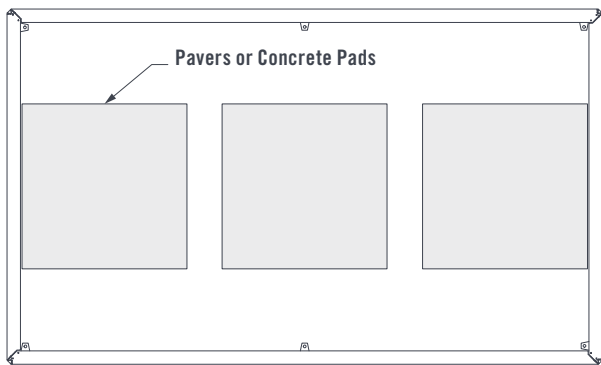


FIGURE 1.0

For Handi-Pod® Garden Shed **HP2** anchored to individual concrete pads, seven 600mm x 600mm pavers must be laid out as per Figure 1.1.

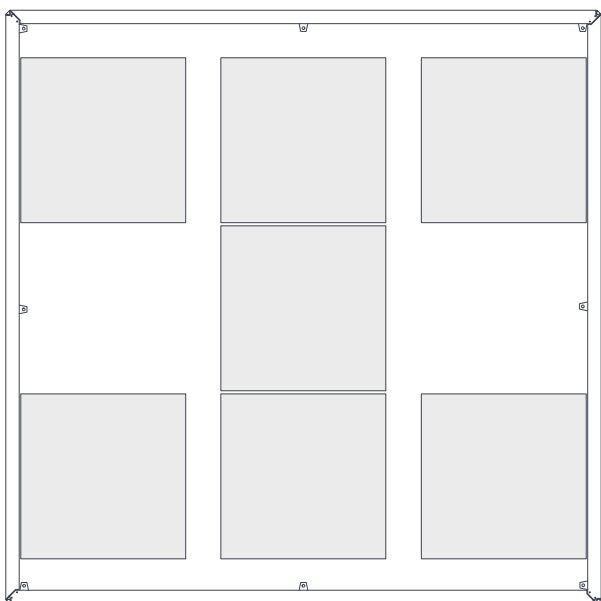


FIGURE 1.1

## FLOORING INSTALLATION

Cut the flooring to the required size prior to installation (Figure 1.2-1.3).

For Handi-Pod® Garden Shed **HP1**, Floor Beams are laid out with 285mm spacings. Cut flooring material to fit into a 2065mm x 1190mm size (Figure 1.2).

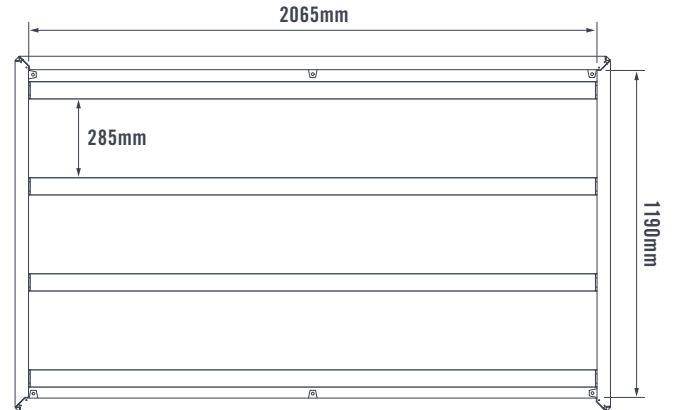


FIGURE 1.2

For Handi-Pod® Garden Shed **HP2**, Floor Beams are laid out with 210mm spacings. Cut flooring material to 2065mm x 2065mm size (Figure 1.3).

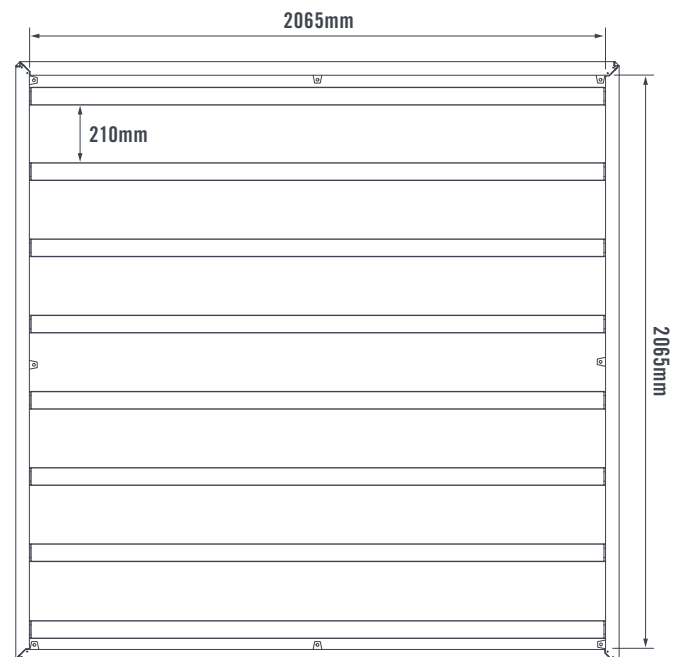
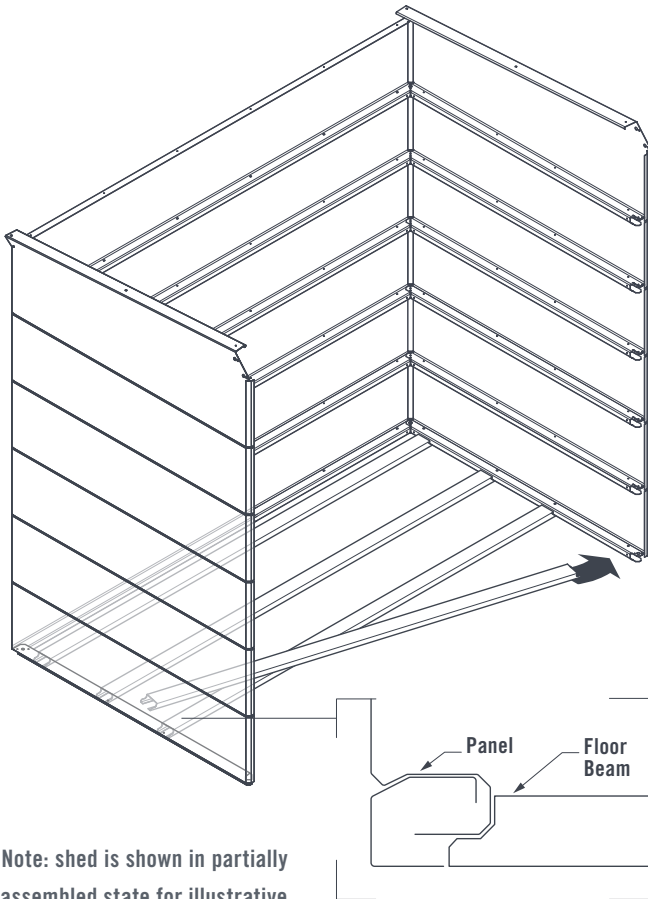


FIGURE 1.3



Insert the Floor Beams at an angle, ensuring the Floor Beam ends fit under the Panels. Set correct spacing between Floor Beams (refer to Figure 1.2 - 1.3).



**Note:** shed is shown in partially assembled state for illustrative purposes only. Fully assemble Shed before installing.

FIGURE 1.4

Lay out the flooring onto the Floor Beams, ensuring correct spacing and fitment.

If using standard 90mm wide decking pine, a 4mm spacer between each piece should result in correct fitment. Fasten two decking screws through each flooring piece and into each Floor Beam (Figure 1.5).

If using floor panels, lay the panels onto the Floor Beams. Fasten decking screws at 300mm spacings through all the Floor Beams.

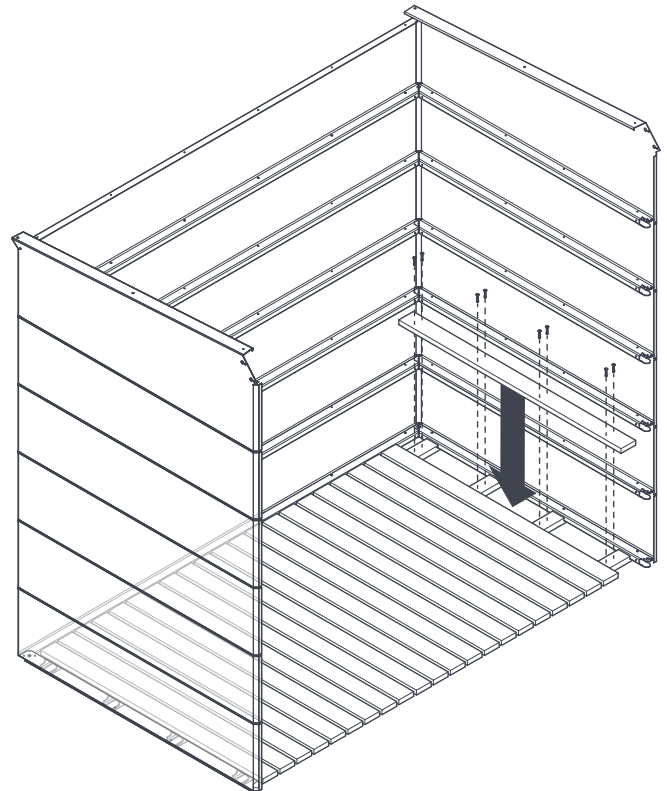
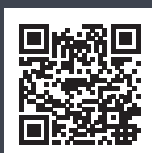


FIGURE 1.5



« SCAN THIS QR CODE TO FIND A STRATCO NEAR YOU

**1300 155 155**  
**stratco.com.au**

All brands and logos/images accompanied by © or ™ are trade marks of Stratco (Australia) Pty Limited. © Copyright Jan 2023

**How To.**

