



INSTALLATION GUIDE


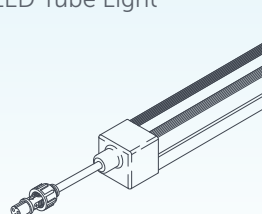

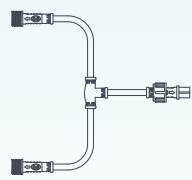

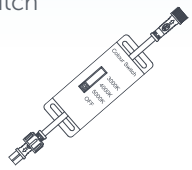
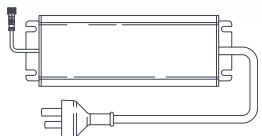



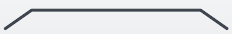



BEFORE YOU START

Ensure you have the correct components and tools before installing your LED Ceiling Light. This installation guide should be read in conjunction with any relevant Stratco Outback Patio or Stratco Pavilion Installation Guides. Read all relevant sections of this guide to ensure all items are prepared and installed correctly.

TOOLS AND HARDWARE REQUIRED

- Marker or Pen
- Tape Measure
- Safety Knife
- Rivet Gun
- Power Drill
- ø3.2mm Drill Bit
- Tin Snips
- 5/16" Hex-Head Driver
- Ladders

COMPONENTS

LED Housing Extrusion 	LED Tube Light 	End Caps 	Splitter Cable 	Extension Cable 
Colour Selection Switch 	Power Supply 	Cover Flashing (Outback Deck) 	CGI Adaptor Flashing 	Cover Flashing (CGI) 
Cover Flashing (Cooldek CGI) 	Cover Flashing (Cooldek Classic) 	12x20 Hex Head Self-Drilling Screw 	ø3.2mm Rivets 	

OUTBACK LED CEILING LIGHT

LIGHTING INSTALLATION GUIDE

OUTBACK LED CEILING LIGHT INSTALLATION GUIDE

PREPARATION & MEASUREMENTS

Outback LED Ceiling Light kits include an 8m LED Tube Light. The 8m LED Tube Light features a 3-pin plug at each end. The 8m Tube Light can be installed as a single light (using one plug), or can be cut into two separate lengths (using a plug at each end).

Refer to the section 'Lighting Preparation' & 'Lighting Set-Up' for further details.

All LED Tube Lights, plugs, cables, and components must be plugged-in and checked to ensure functionality prior to preparation and subsequently throughout installation.

The visible side of the 8m LED Tube Light is the completely flat, semi-transparent face of the Tube.

The rear of the 8m LED Tube Light has a narrow, semi-transparent strip that shows the recommended cut locations on the rear of the LED strip (refer 'Lighting Preparation').

Note: Never lift or carry the LED Tube Light by the end plugs. Always lift, carry, and support the LED Tube Light by the main Tube Light casing.

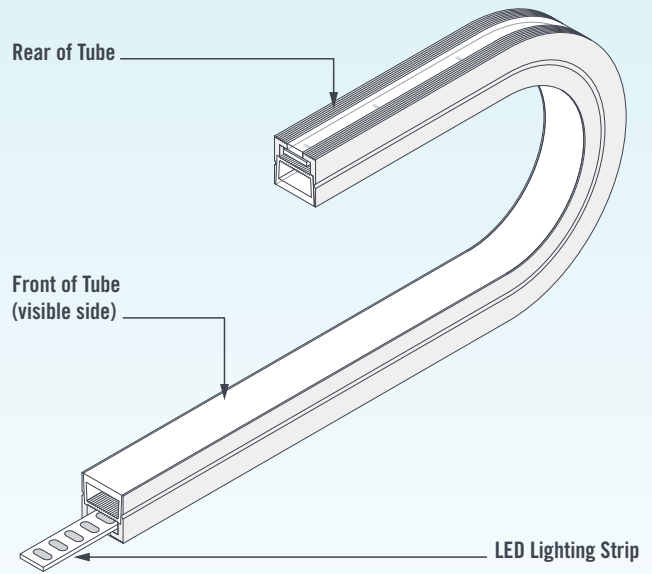


FIGURE 2.0

LIGHTING PREPARATION

Outback LED Ceiling Lights are supplied with an 8m aluminium Housing Extrusion. Housing Extrusions must be cut to the same length as adjacent Outback Patio roofing sheets (Figure 1.0).

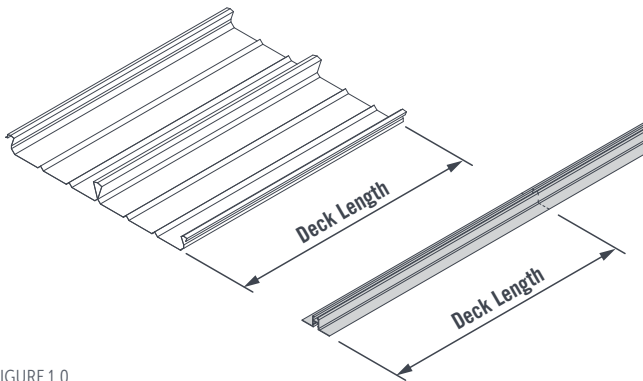


FIGURE 1.0

The LED Ceiling Light kit includes a LED Tube Light at 8m. The LED Tube Light should be cut down to the same length as the Housing Extrusion.

The LED Tube Light can also be split into two lights if two LED Ceiling Lights are required at less than 4m (Figure 1.1).

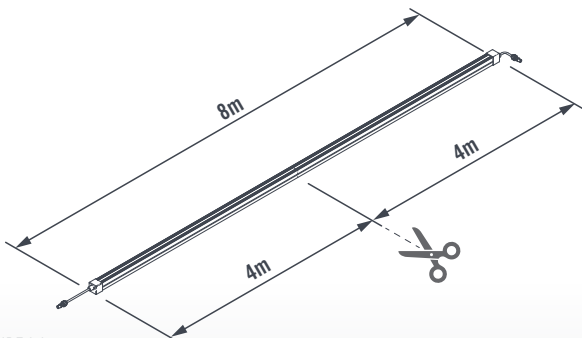


FIGURE 1.1

Be sure to cut slowly through the LED Tube Light casing using a sharp utility knife. Cut the internal LED strip at the nearest cutting mark indicated on the strip (Figure 1.2).

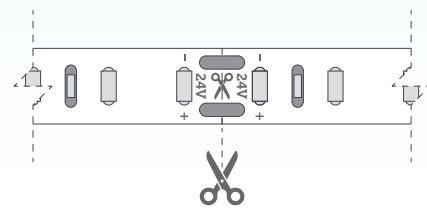


FIGURE 1.2

Spare Endcaps have been supplied within each kit. The cut end(s) must be sealed using the replacement Endcaps (Figure 1.3). A small amount of silicone can help to adhere the Endcap to the Tube.

Note: Endcaps will not fit within the Housing Extrusion. Allowances in Housing Extrusion lengths may need to be made when installing against other patio components.

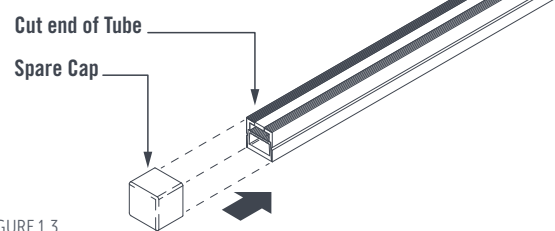


FIGURE 1.3

Insert the LED Tube Light within the Housing Extrusion by starting at one end and working along (Figure 1.4).

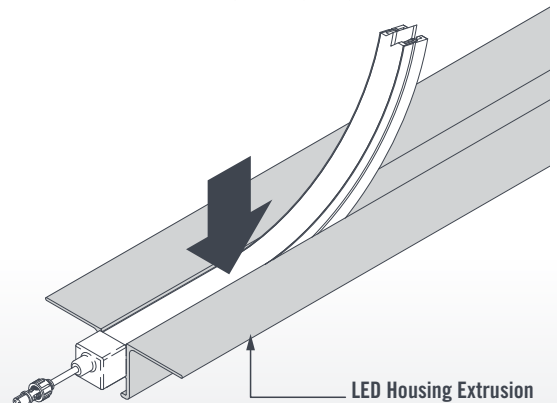


FIGURE 1.4

INSTALLATION (OUTBACK DECK)

Installation of the LED Ceiling Light is similar whether installing within Outback Deck, CGI, or Cooldek.

Note: Outback LED Ceiling Lights must be installed at intervals of at least two Outback Deck roofing sheets.

Prior to roofing installation, fit the Housing Extrusion against the underlap edge of either Outback Deck sheet (Figure 2.0).

Secure the Housing Extrusion to the underside of the sheet using one coloured $\phi 3.2\text{mm}$ rivet at each end. Extra rivets are required along the Housing Extrusion at maximum 3m centres (Figures 2.0 & 2.1).

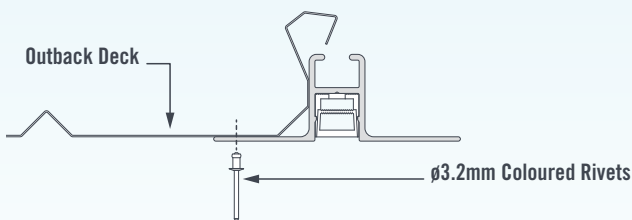


FIGURE 2.0

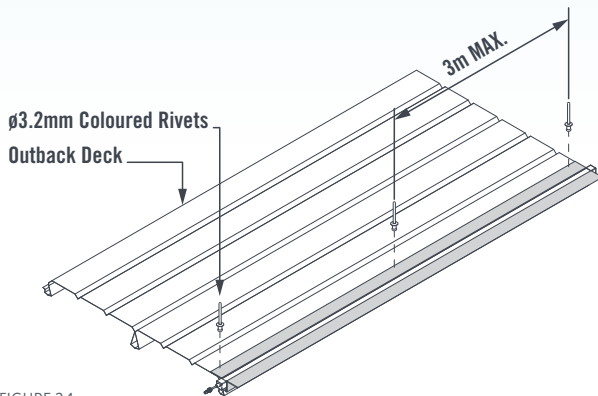


FIGURE 2.1

Install the roofing sheet as per the relevant Stratco Outback installation instructions. Ensure caution is taken to prevent damage to the Housing Extrusion or LED Tube Light during installation.

Install the next roofing sheet. Ensure the roofing sheet is hard against the Housing Extrusion and parallel. Secure the roofing sheet as per the relevant Stratco Outback installation instructions. It may be necessary to trim the overlap of the second Outback Deck sheet if materials interfere.

Secure the Housing Extrusion to the second roofing sheet using one rivet at each end. Extra rivets are required along the Housing Extrusion at maximum 3m centres (Figure 2.2).

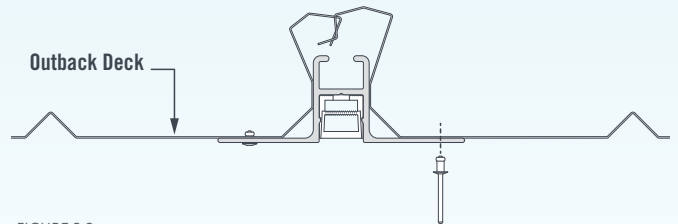


FIGURE 2.2

Cover Flashings have been provided to suit the roofing deck being used. Fit flashing(s) atop roofing sheets and secure using 12x20 self-drilling screws (with neoprene washers) maximum 500mm centres (Figure 2.3).

Silicone seal along edge between Cover Flashings and roofing to create a more resilient seal.

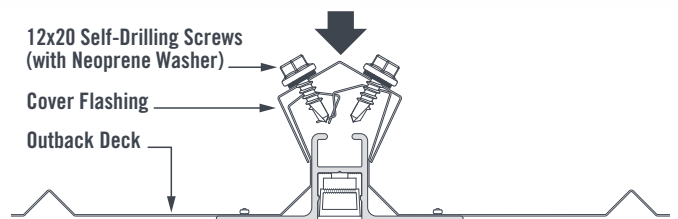


FIGURE 2.3

INSTALLATION (CGI)

Installation of the LED Ceiling Light is similar whether installing within Outback Deck, CGI, or Cooldek.

Installation with CGI roofing requires use of an Adaptor Flashing (supplied).

Note: Outback LED Ceiling Lights must be installed at intervals of at least two CGI roofing sheets.

Two CGI Adaptor Flashings have been provided to allow fitment of the Housing Extrusion to CGI roofing prior to roofing installation.

Fasten the Housing Extrusion to one CGI Adaptor Flashing using coloured $\phi 3.2\text{mm}$ rivets (Figures 3.0 & 3.1).

Trim the CGI sheet at the last crest and secure the Adaptor Flashing to the CGI sheet using one coloured $\phi 3.2\text{mm}$ rivet at each end. Extra rivets are required along the Housing Extrusion at maximum 3m centres (Figures 3.0 & 3.1).

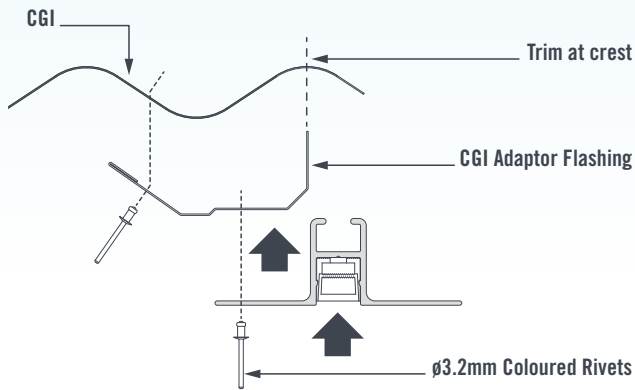


FIGURE 3.0

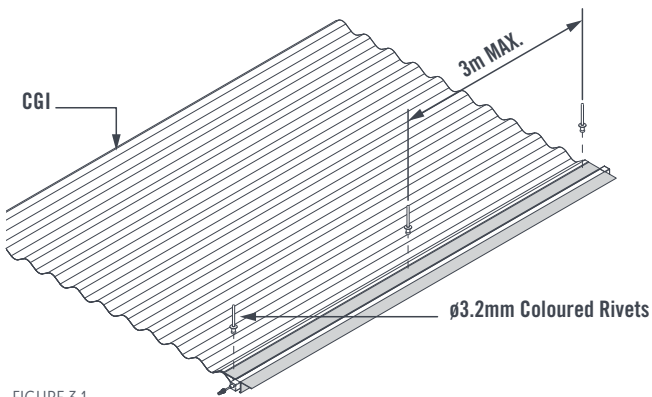


FIGURE 3.1

Install the roofing sheet as per the relevant Stratco Outback installation instructions. Ensure caution is taken to prevent damage to the Housing Extrusion or LED Tube Light during installation.

Install the next roofing sheet. Ensure the roofing sheet is hard against the Housing Extrusion and parallel. Secure the roofing sheet as per the relevant Stratco Outback installation instructions.

Secure the remaining Adaptor Flashing to the Housing Extrusion to the second ceiling sheet using one rivet at each end. Extra rivets are required along the Housing Extrusion at maximum 3m centres (Figure 3.2).

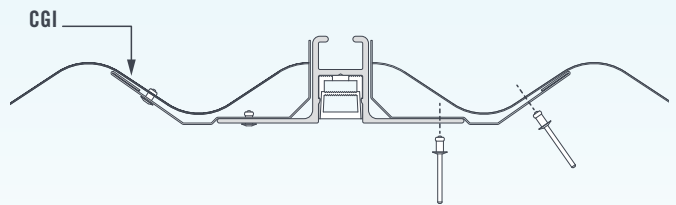


FIGURE 3.2

Cover Flashings have been provided to suit the roofing deck being used.

Fit flashing(s) atop roofing sheets and secure using 12x20 self-drilling screws (with neoprene washers) at maximum 500mm centres (Figure 3.3).

Silicone seal along edge between Cover Flashings and roofing to create a more resilient seal.

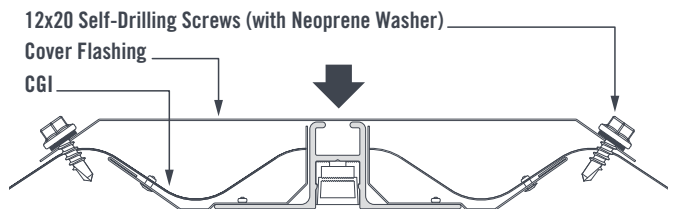


FIGURE 3.3

INSTALLATION (COOLDEK)

Installation of the LED Ceiling Light is similar whether installing within Outback Deck, CGI, or Cooldek.

Note: Outback LED Ceiling Lights must be installed at intervals of at least one Cooldek sheet.

Prior to roofing installation, fit the Housing Extrusion against the underlap edge of either Cooldek sheet (Figure 4.0). Secure the Housing Extrusion to the ceiling sheet using one coloured $\phi 3.2\text{mm}$ rivet at each end. Extra rivets are required along the Housing Extrusion at maximum 3m centres

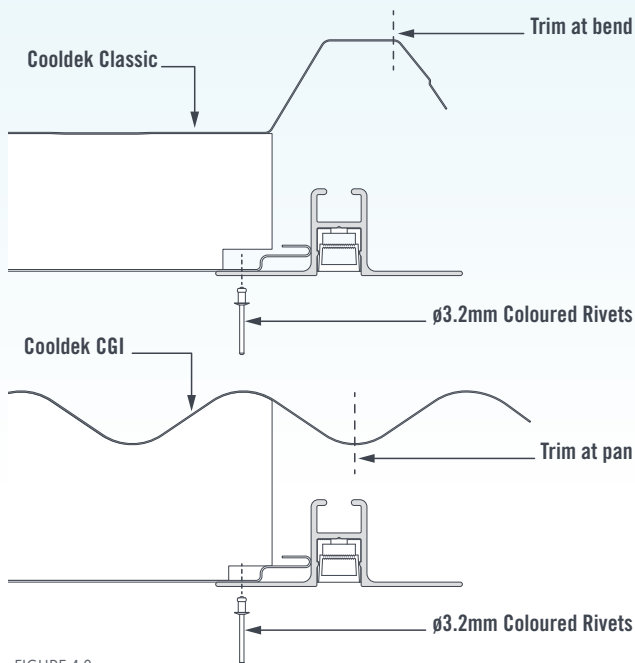


FIGURE 4.0

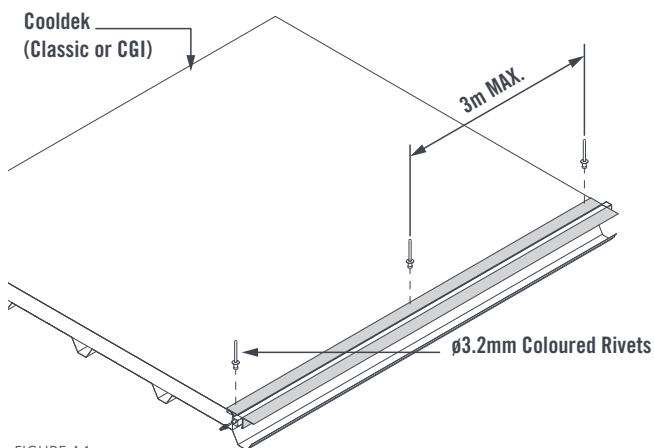


FIGURE 4.1

(Figures 4.0 & 4.1).

Cooldek crests must be trimmed to provide assembly clearance (Figure 4.0).

Install the roofing sheet as per the relevant Stratco Outback or Stratco Pavilion installation instructions. Ensure caution is taken to prevent damage to the Housing Extrusion or LED Tube Light during installation.

Install the next roofing sheet. Ensure the roofing sheet is hard against the Housing Extrusion and parallel. Secure the roofing sheet as per the relevant Stratco Outback or Stratco Pavilion installation instructions.

Secure the Housing Extrusion to the second ceiling sheet using one rivet at each end. Extra rivets are required along the Housing Extrusion at maximum 3m centres (Figure 4.2).

Cover Flashings have been provided to suit the roofing deck being used (Figure 4.2). Fit flashing(s) atop roofing sheets and secure using 12x20 self-drilling screws (with neoprene washers) at maximum 500mm centres (Figure 4.2).

Silicone seal along edge between Cover Flashings and roofing to create a more resilient seal.

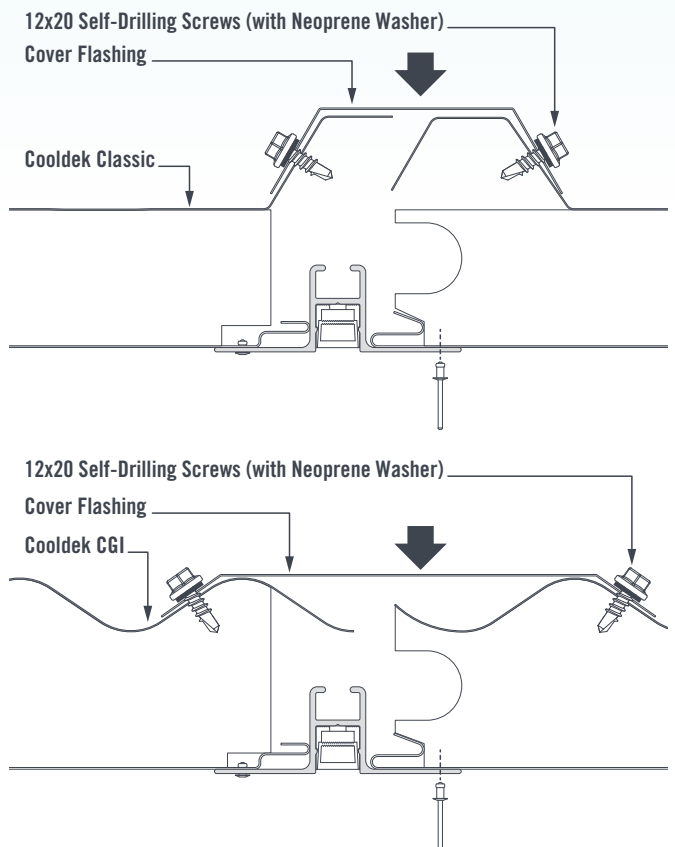


FIGURE 4.2

LIGHTING SET-UP

Outback LED Ceiling Light kits are provided with 1x 6m Extension Cable, 1x Splitter Cable, 1x Light Selection Control, & 1x Power Supply.

Extra 6m Extension Cables can be ordered to ensure lights can be connected along patio units back to Power Supplies.

Use the appropriate number of Extension Cables to connect the LED Tube Lights back to the Light Selection Control.

Cables are connected with Male and Female Ends. Ensure cables are fitted correctly before installation (Figure 5.0).

Note: Test all Lighting systems prior to installation.

Connect the Colour Selection Switch back to the Power Supply (Figure 5.1).

The switch on the Colour Selection Switch can be used to select the type of light desired (3000k, 4000k, 5000k) (Figure 5.1).

Use the 6m (3-pin) Extension Cable to connect the Light Selection Control to the LED Tube Light (Figure 5.1).

The Splitter Cable is to be used if the LED Tube Light has been split into two lengths (Figure 5.1).

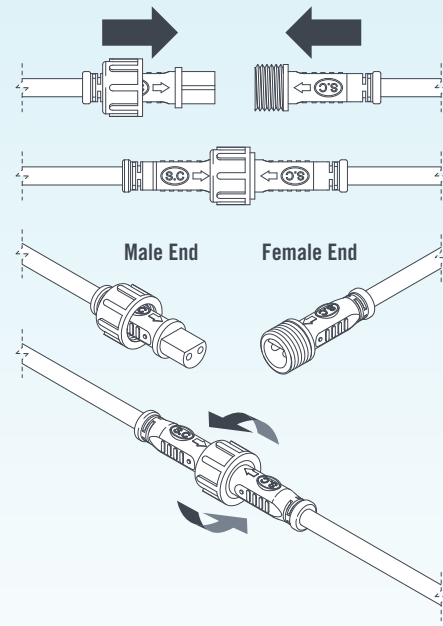


FIGURE 5.0

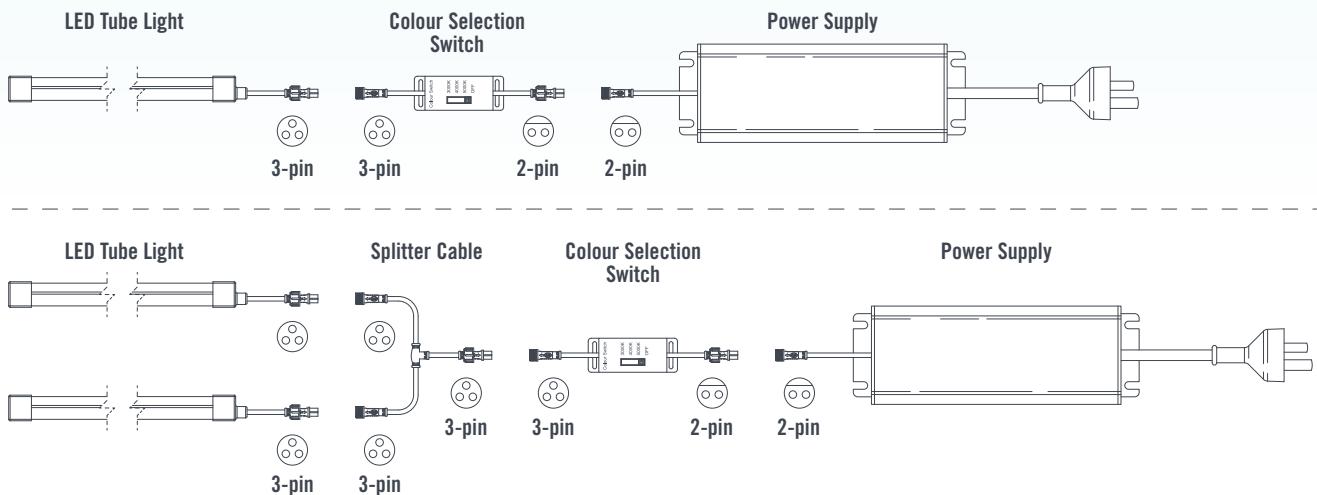


FIGURE 5.1

INSTALLATION TIPS

- Light 'bleed' may occur at the ends of the LED Mounting Extrusion when overlapping Gutters or Flashings. Light 'bleed' can be prevented by application of tape (duct/electrical/cloth etc) to the LED Tube Light.



« SCAN THIS QR CODE TO FIND A STRATCO NEAR YOU

1300 155 155
stratco.com.au

All brands and logos/images accompanied by ® or ™ are trade marks of Stratco (Australia) Pty Limited. © Copyright July 2024

How To.

