

THANK YOU FOR PURCHASING YOUR 11 DRAWER ROLLER TOOL CHEST.

Please carefully read and follow these instructions to assemble your unit.

ENSURE PROTECTIVE EYEWEAR AND GLOVES ARE WORN WHEN ASSEMBLING THIS UNIT.

For Your Safety

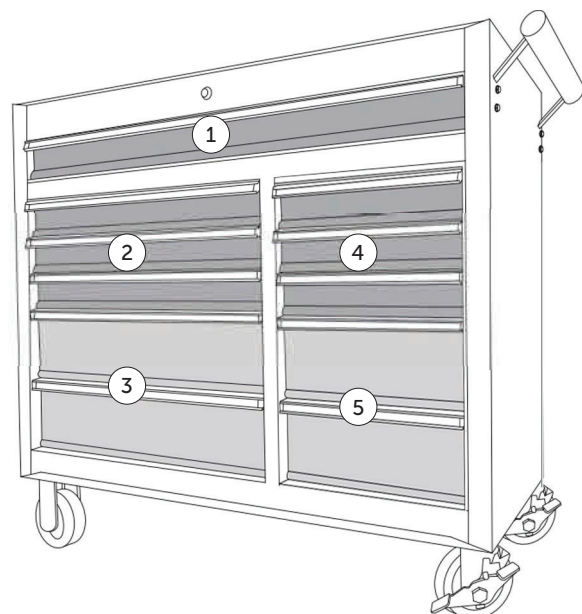
- Read these instructions carefully and use the product correctly. Make sure to understand and follow any warnings.
- We're not liable for any product damage, body injury, property damage, or other damages caused by incorrect use.
- If you have any doubt, please contact the store or our customer service centre.

Warnings

- This product is only for tool storage purpose. Do not use it for other purposes.
- Persons other than professionals should not disassemble, repair or modify the product.
- Although it can be locked, we do not provide guarantee for safety of contents in it.
- Keep children, infants and pregnant women away from installation places.
- Handle this product carefully. If it falls or receives a strong impact, please check all parts again carefully.
- If you find anything wrong, please stop using and call the store you purchased from or contact our customer service.
- Do not use the product when you are overworked, taking alcohol or drugs. It may cause injury by improper use.
- Do not overload and make sure all drawers are closed and locked when moving.
- Do not open more than one drawer at a time and make sure tools are evenly distributed inside.
- Install this product on a clean, flat and hard floor inside the house. After installation, please lock the swivel casters.
- Do not step, sit or lean on the product .
- Do not roll the product on rocky, sandy and uneven roads. Moving the product over a long distance may cause damage to the casters.
- Do not perform welding, hammering or disassembly work on top plate.
- Lubricate casters and bearing rails regularly.

Product

- Item code: SS-10427 (THD-3720B1E)
- Overall size: W 940 x D 330 x H 940mm
- Weight: 47.5kg
- Top plate size: W 935 x D 328mm
- Top plate loading: 30kg
- Drawer size:
 - 1 - W 830 x D 290 x H 110mm
 - 2 - W 510 x D 290 x H 75mm
 - 3 - W 510 x D 290 x H 154mm
 - 4 - W 255 x D 290 x H 75mm
 - 5 - W 255 x D 290 x H 154mm
- Drawer loading: 10kg
- Caster size: D4" x T1 .25"

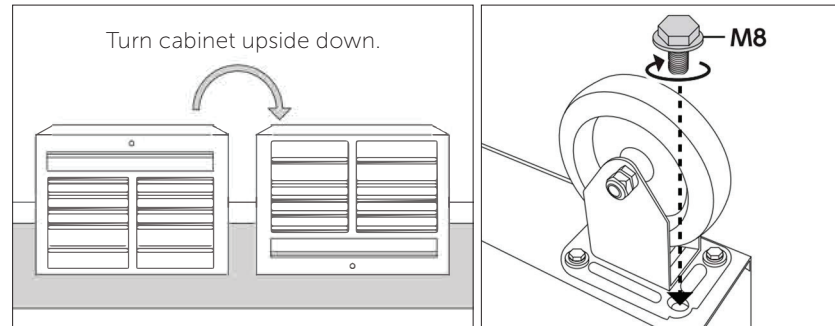


Installation

- Please remove package and take out caster box and side handle box from drawers.
- Please take out top and drawer mats and lock the cabinet.
- Check all accessories carefully. If you find anything damaged or missing, please contact the store you purchased from or our customer service centre.

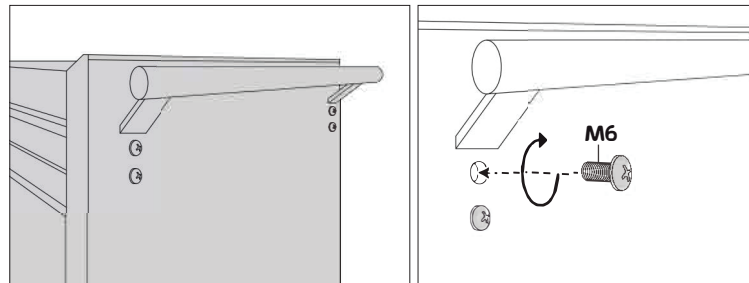
Casters

- Please turn the cabinet upside down with the help of two or more people.
- Swivel casters should be on one side and make sure M8 bolts are tightened with a 12mm wrench.



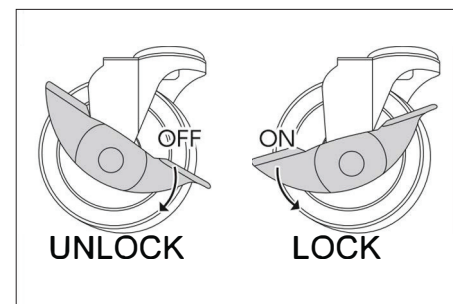
Side Handle

- Attach side handle on swivel casters side and tighten M6 bolts.



How to Use

- Please notice 'ON' and 'OFF' are stamped on casters.
- When locking, you can push down 'ON' side and confirm it does not move.
- Please lock two swivel casters together.
- Push down 'OFF' sides to unlock the casters.



REMOVE DRAWERS

- Open the drawer and check the levers of ball bearing slides.
- Push down on the upward lever and push up on the downward lever at the same time and pull out the drawer.

INSTALL DRAWERS

- Align the drawer rails with rails on cabinet and push it in.
- Pull out and push in the drawer for several times to make sure it is running smoothly.

