

# How To.

ASSEMBLY GUIDE

# 5 Shelf Boltless Wire Shelving Unit



SS-10437

Please carefully read and follow these instructions to assemble your unit.

**ENSURE PROTECTIVE EYEWEAR AND GLOVES ARE WORN WHEN ASSEMBLING THIS UNIT.**

**WARNING: SERIOUS INJURY CAN BE CAUSED BY TOPPLING FURNITURE.** To help prevent tip-over, we recommend you anchor this product to a wall or other suitable surface. Check anchors regularly.

## Check Parts

### TOOLS REQUIRED:

- Rubber Mallet
- Gloves



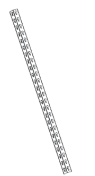
P1

(10 x) Long Beam



P2

(10 x) Short Beam



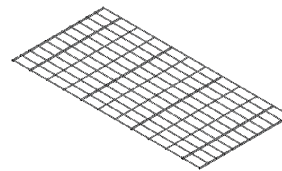
P3

(8 x) Post



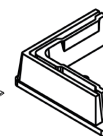
P4

(5 x) Brace



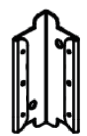
P5

(5 x) Steel Wire



P6

(8 x) Post Cap

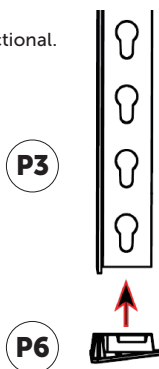


P7

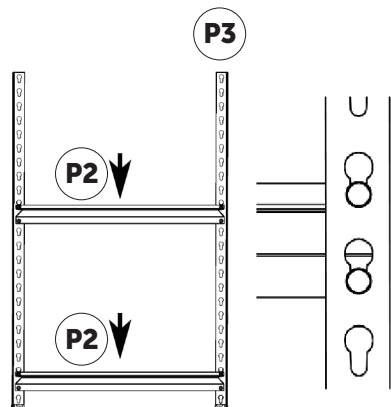
(4 x) Coupler

## Step 1

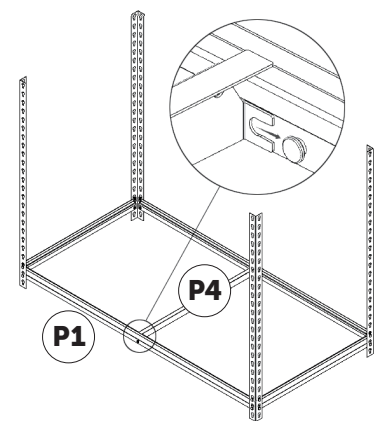
NOTE:  
Posts are directional.  
The slot must  
point down.



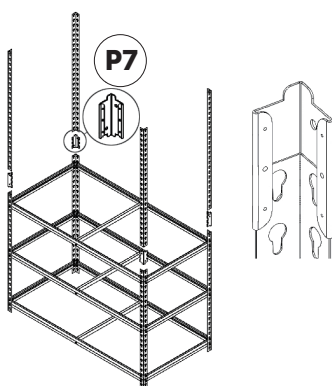
## Step 2



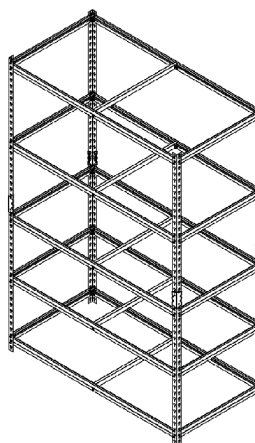
## Step 3



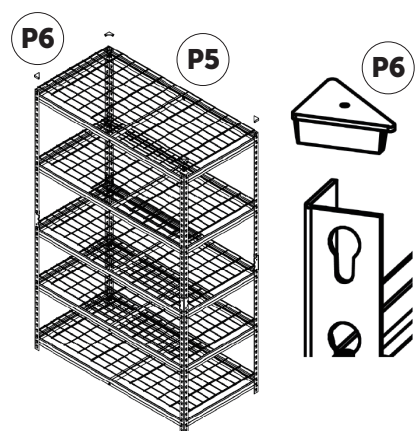
## Step 4



## Step 5



## Step 6



**WARNING:** Make sure all rivets are fully seated into the post slots. This product should be permanently anchored to a wall or other suitable surface to avoid serious or fatal injury. Suitable anchor kits are available at Stratco or any hardware store. Do not allow children to climb on this furniture - it may topple over and badly injure a child.

**WARNING: SERIOUS INJURY CAN BE CAUSED BY TOPPLING FURNITURE.** To help prevent tip-over, we recommend you anchor this product to a wall or other suitable surface. Check anchors regularly.

## Step 7 How To Attach Anchor To Masonry Walls (Hardware Provided):

Mark with a pencil through the screw hole along the wall where the hole needs to be drilled.

Using an appropriate drill bit for your wall type, drill the hole.

**NOTE:** The depth of the hole should not be deeper than the length of the wall plug.

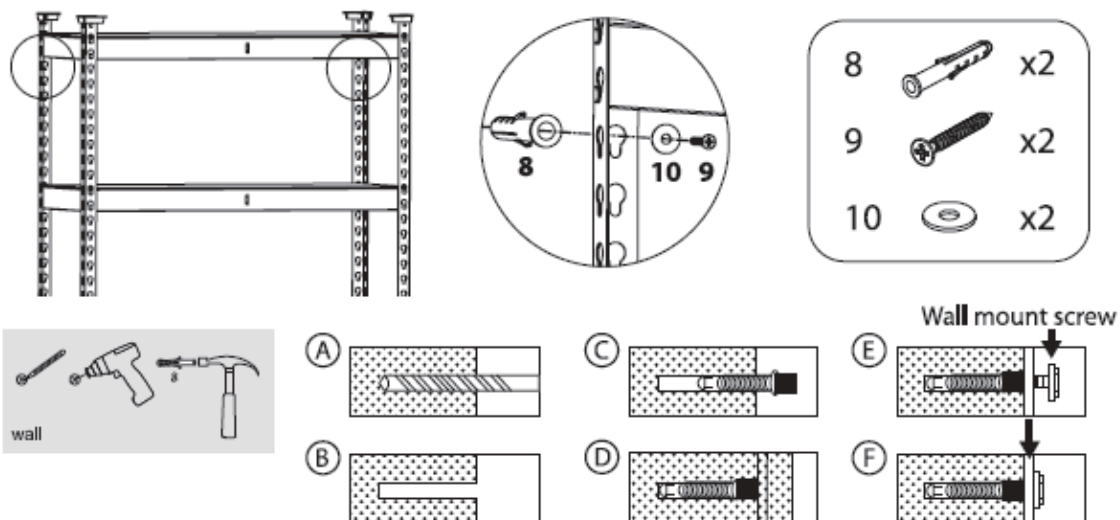
**NOTE:** Assistance from a second person is recommended for this step.

**DO NOT** overload the product - the **maximum distributed weight load capacity is 220kg per shelf.** Always load the 5 Shelf Boltless Wire Shelving Unit evenly, with the centre of gravity of the load as near centre of the shelf as possible.

### IMPORTANT!

This product is designed to be mounted to a solid brick or concrete wall. **DO NOT** attach it to a hollow plasterboard wall or decorative wall divider unless you have consulted a qualified builder for advice and installation. The wall must be structurally sound and strong enough to hold the weight of the product.

Please consider the wall mounting & fixing guide when securing your product.



**NOTE:** Supplied wall plugs are only suitable for use in masonry walls.

**CAUTION:** When drilling into walls, always check for hidden wires or pipes, etc.