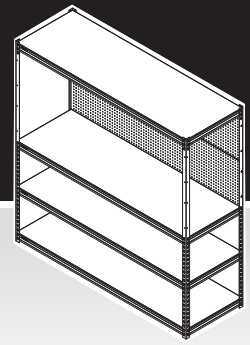


How To.

ASSEMBLY GUIDE

HEAVY DUTY WORKSTATION

SS-10458



THANK YOU FOR PURCHASING YOUR HEAVY DUTY WORKSTATION.

Please carefully read and follow these instructions to assemble your unit.

ENSURE PROTECTIVE EYEWEAR AND GLOVES ARE WORN WHEN ASSEMBLING THIS UNIT.

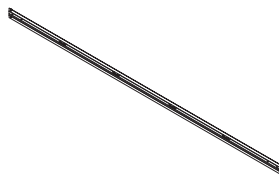
WARNING: SERIOUS INJURY CAN BE CAUSED BY TOPPLING FURNITURE. To help prevent tip-over, we recommend you anchor this product to a wall or other suitable surface. Check anchors regularly.

Components

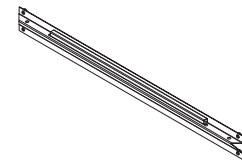
(A) x 4



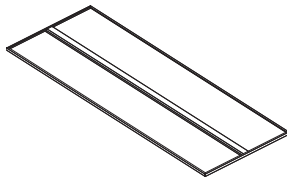
(B) x 8



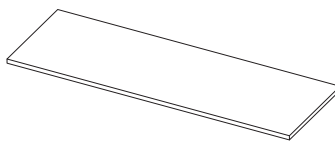
(C) x 8



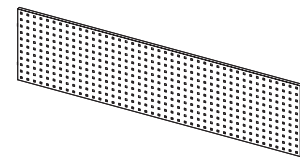
(D) x 3



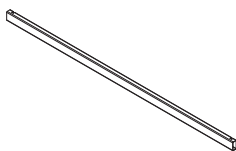
(E) x 1



(F) x 2



(G) x 16



(H) x 8



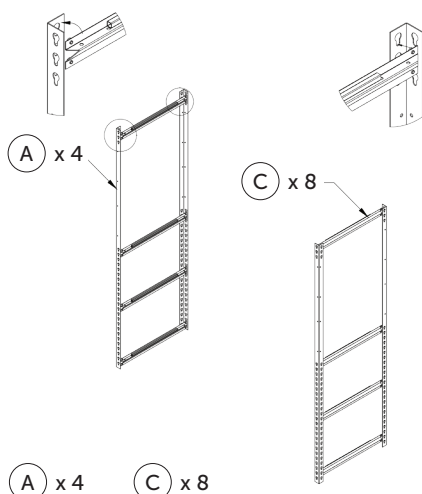
(I) x 2



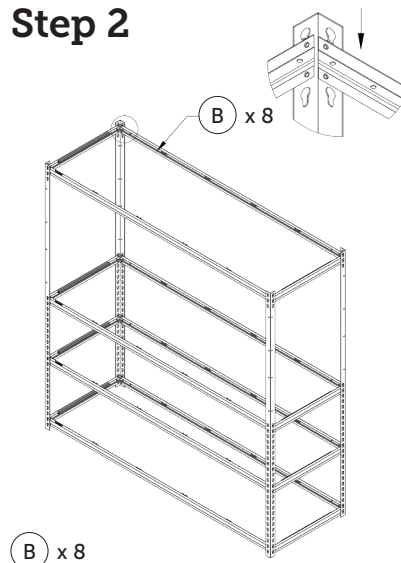
(J) x 2



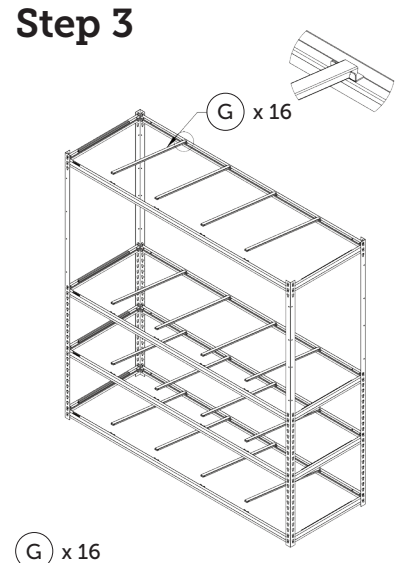
Step 1

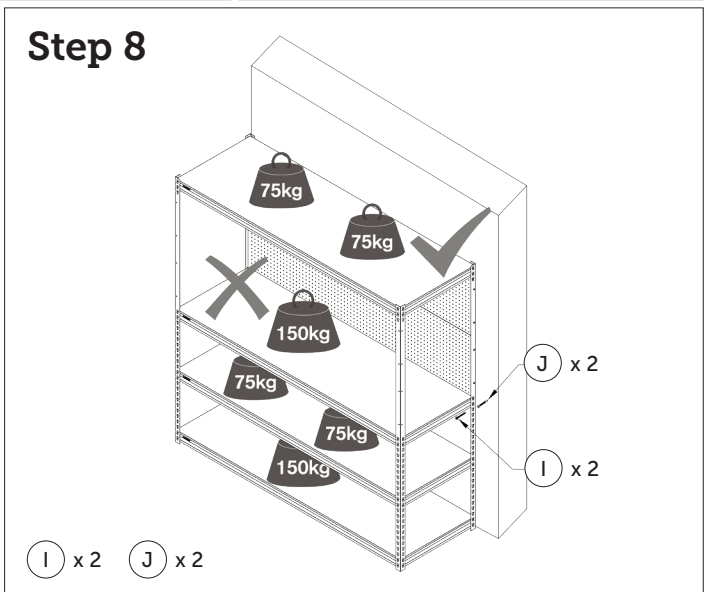
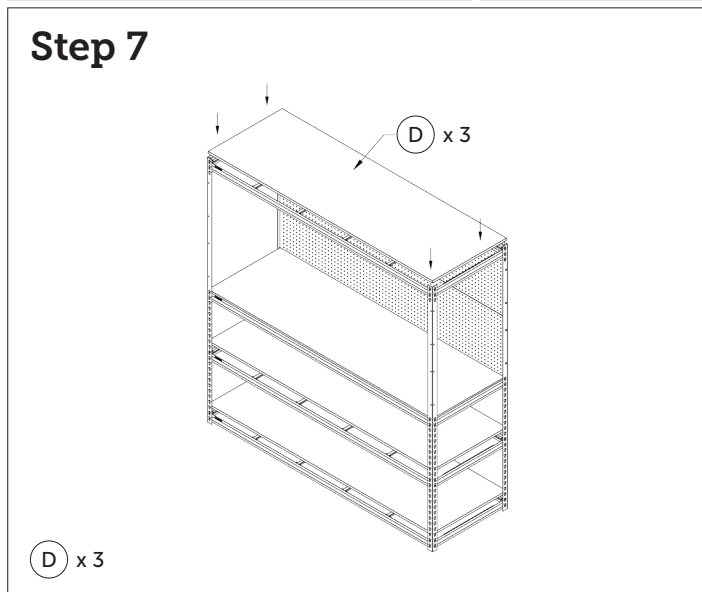
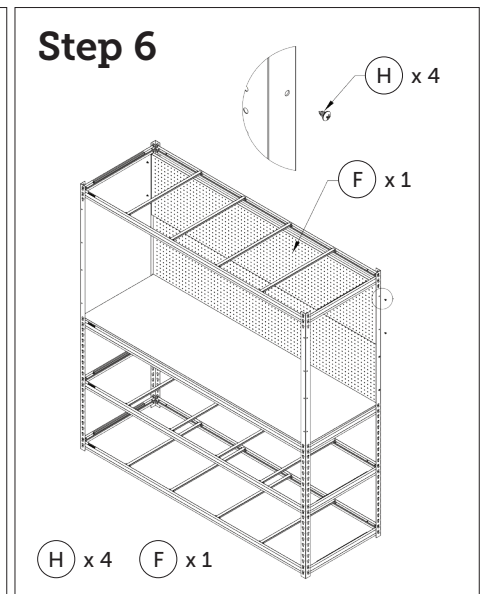
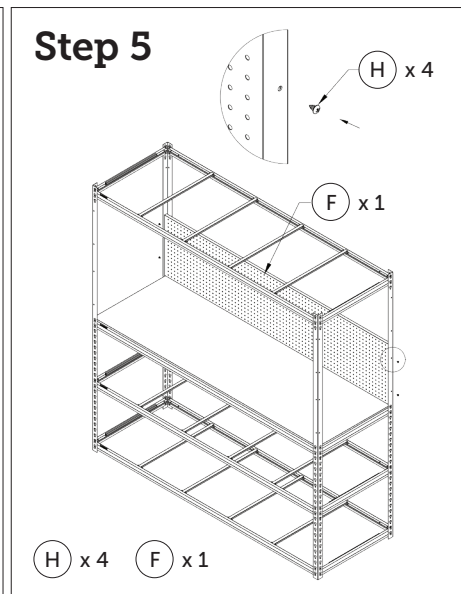
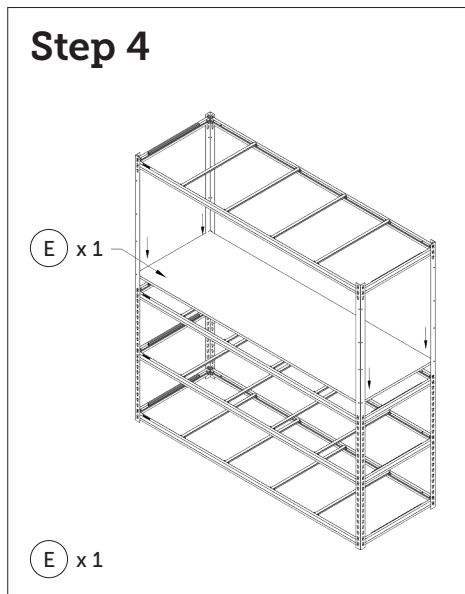


Step 2



Step 3





WARNING: SERIOUS INJURY CAN BE CAUSED BY TOPPLING FURNITURE. To help prevent tip-over, we recommend you anchor this product to a wall or other suitable surface. Check anchors regularly.

