



**THANK YOU FOR PURCHASING YOUR HEAVY DUTY WORKBENCH.**

Please carefully read and follow these instructions to assemble your workbench.

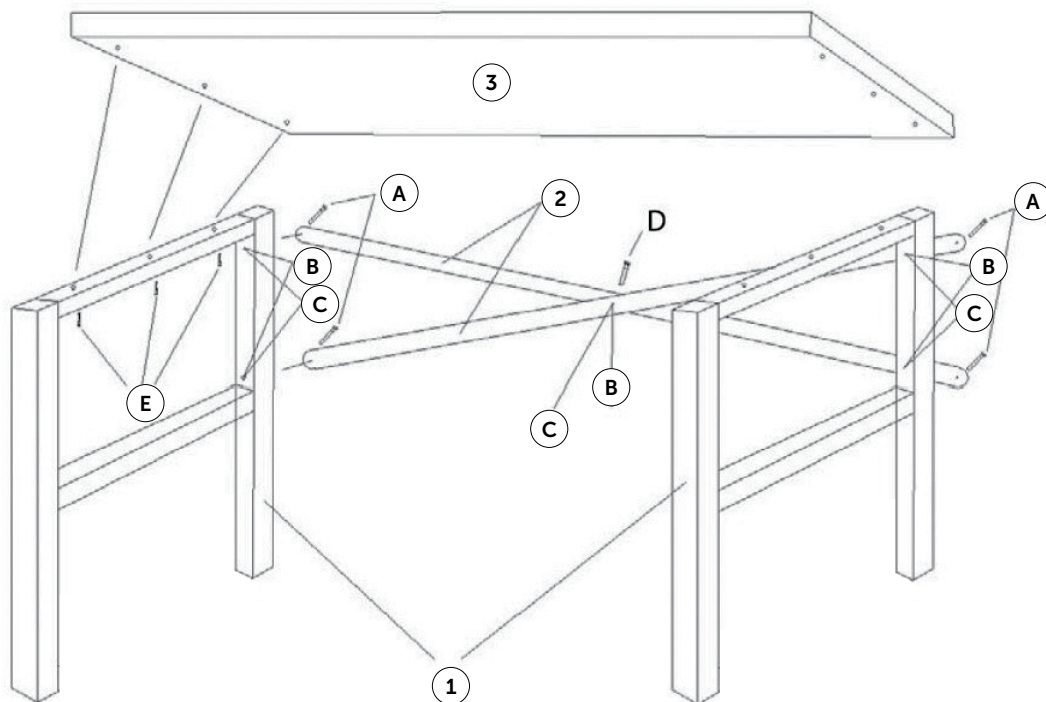
ENSURE PROTECTIVE EYEWEAR AND GLOVES ARE WORN WHEN ASSEMBLING THIS UNIT.

## Components

ITEM	DESCRIPTION	QTY
1	LEG FRAMES	2 PCS
2	TIE BARS	2 PCS
3	TIMBER TABLE TOP	1 PCS
A	BOLTS M14x70	4 PCS
B	NUTS M13	5 PCS
C	WASHERS	5 PCS
D	BOLTS M14x15	1 PCS
E	WOOD SCREWS Ø6x25	6 PCS

## Assembly

1. Assemble Leg Frames to the 2 x Tie Bars securing at both ends and, in the middle, - ensure these are crossed over.
2. Place Timber Top on the Leg Frames- ensure the top is square and evenly spaced.
3. Screw Table Top to the Leg Frame with 6 screws supplied.
4. The unit can be left mobile or fixed to the ground (fixings not provided).



**TIP:** Flip the Stand and attach the base.