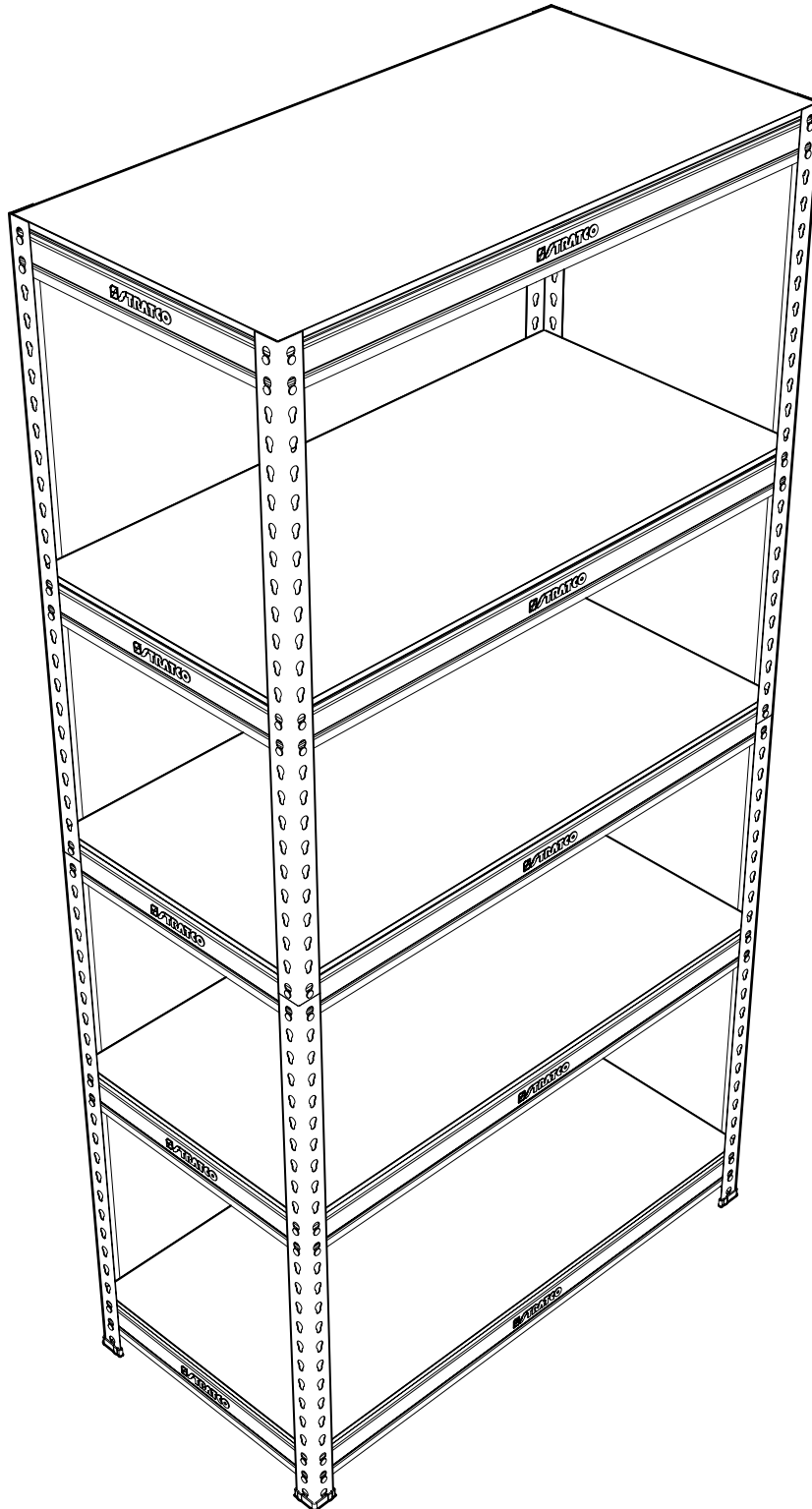


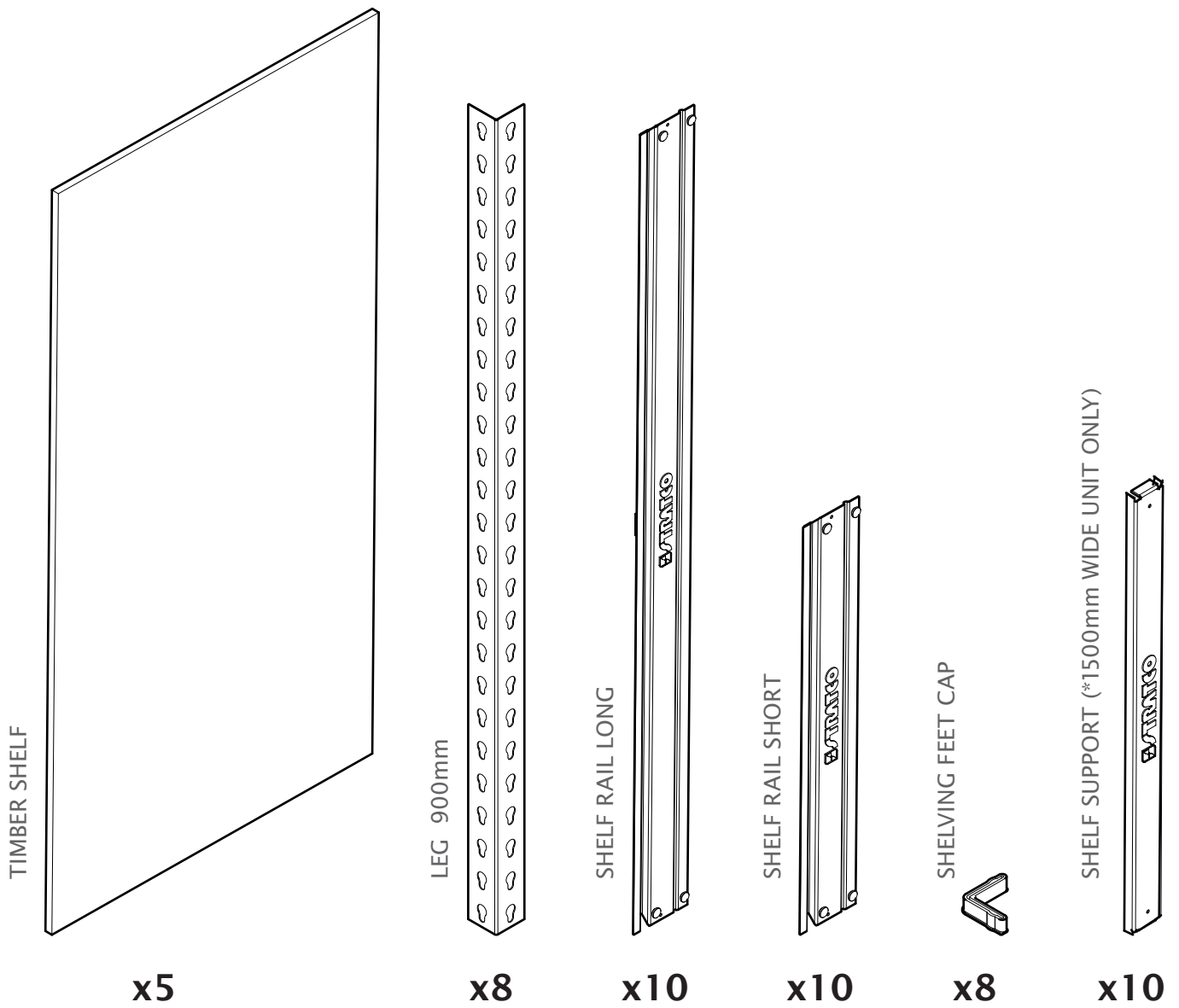


Rivet Lock Shelving Kit

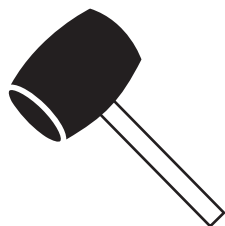
5-SHELF ASSEMBLY



COMPONENTS

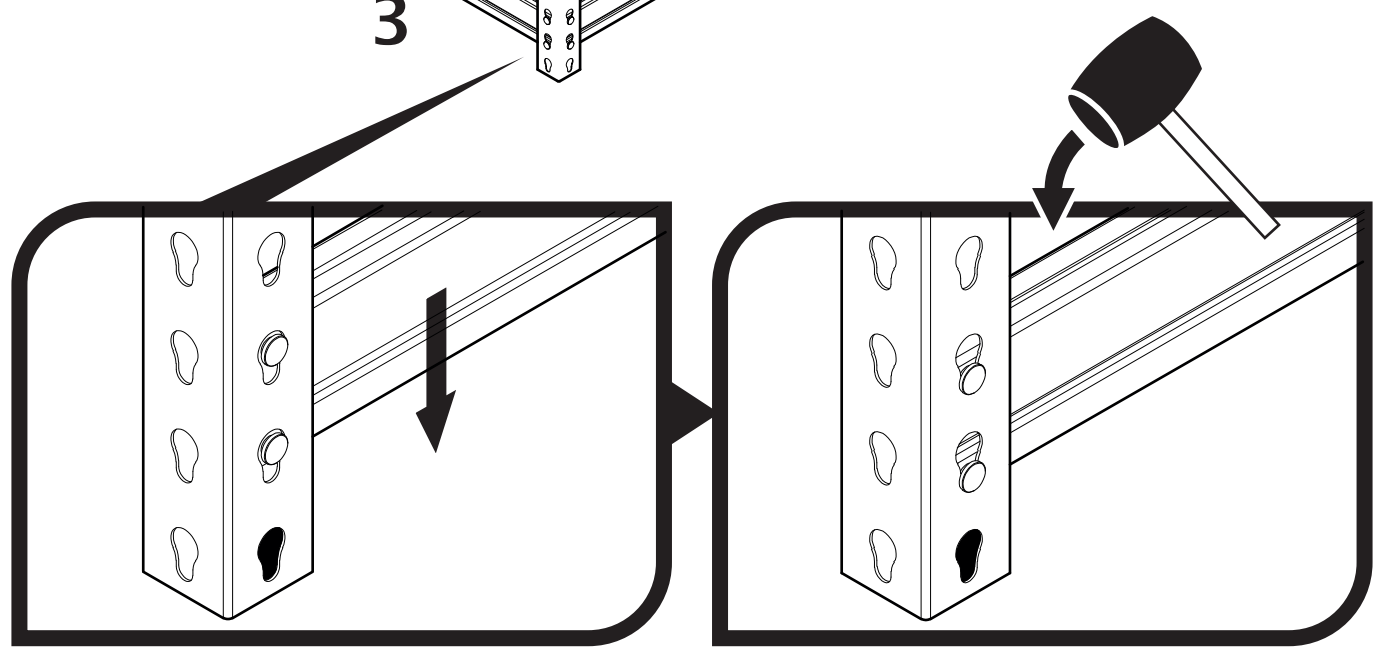
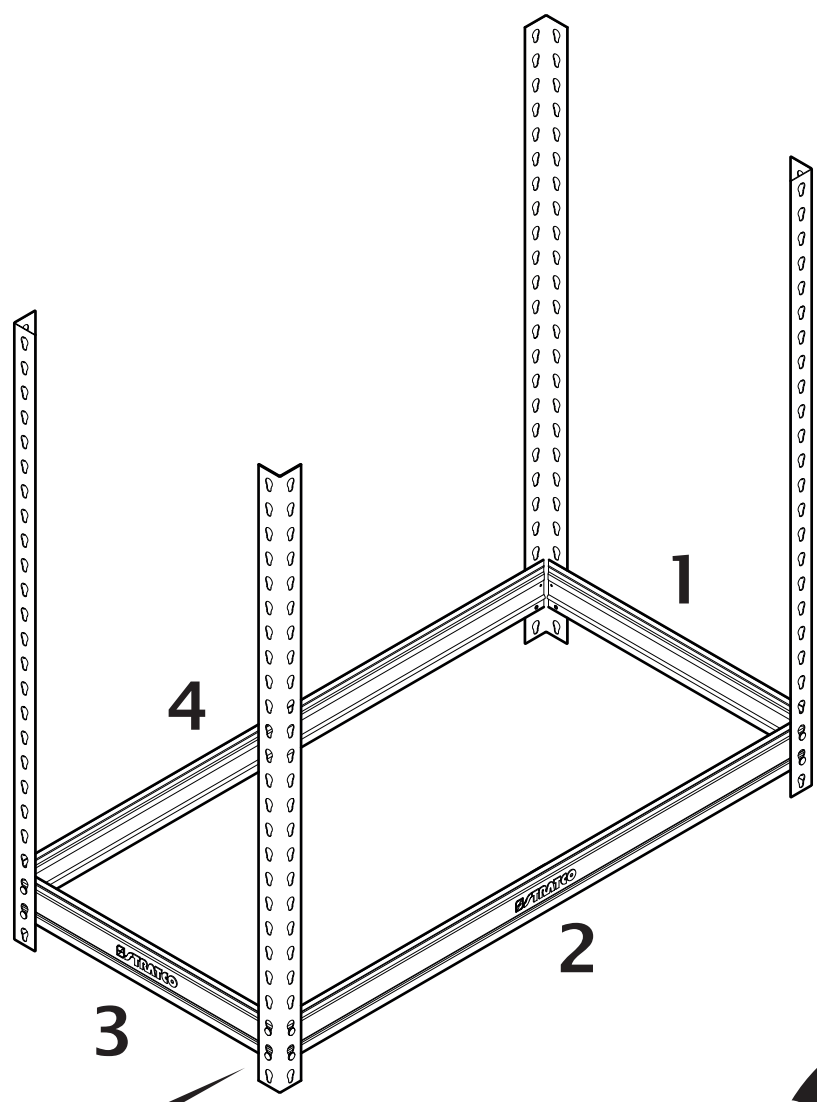


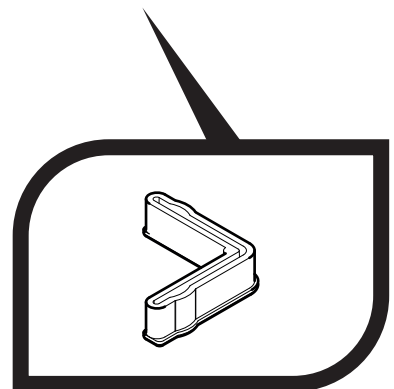
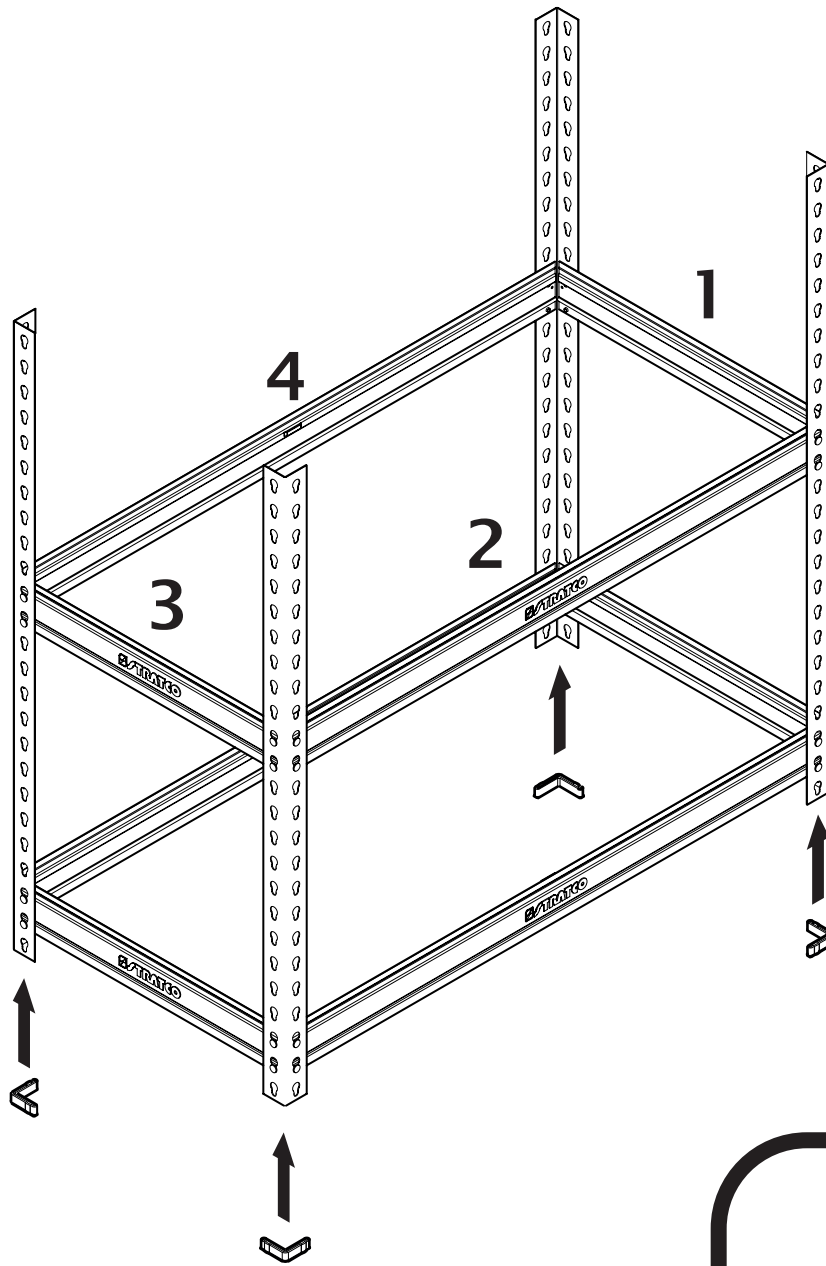
TOOL REQUIRED

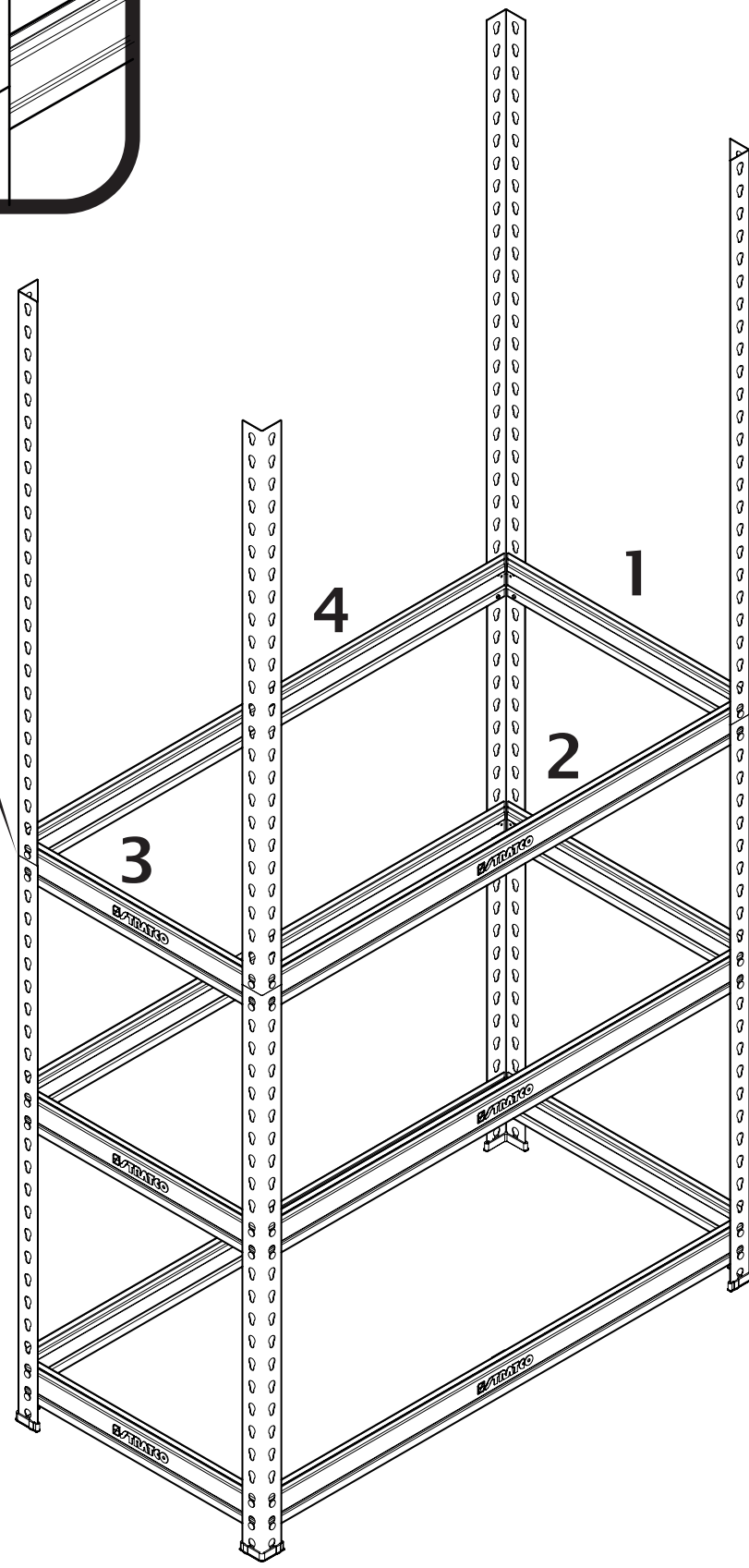
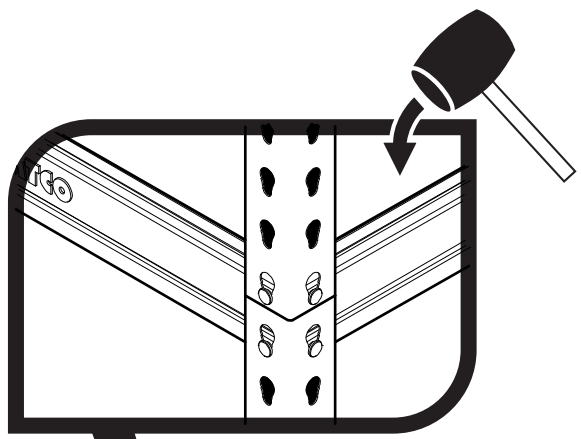


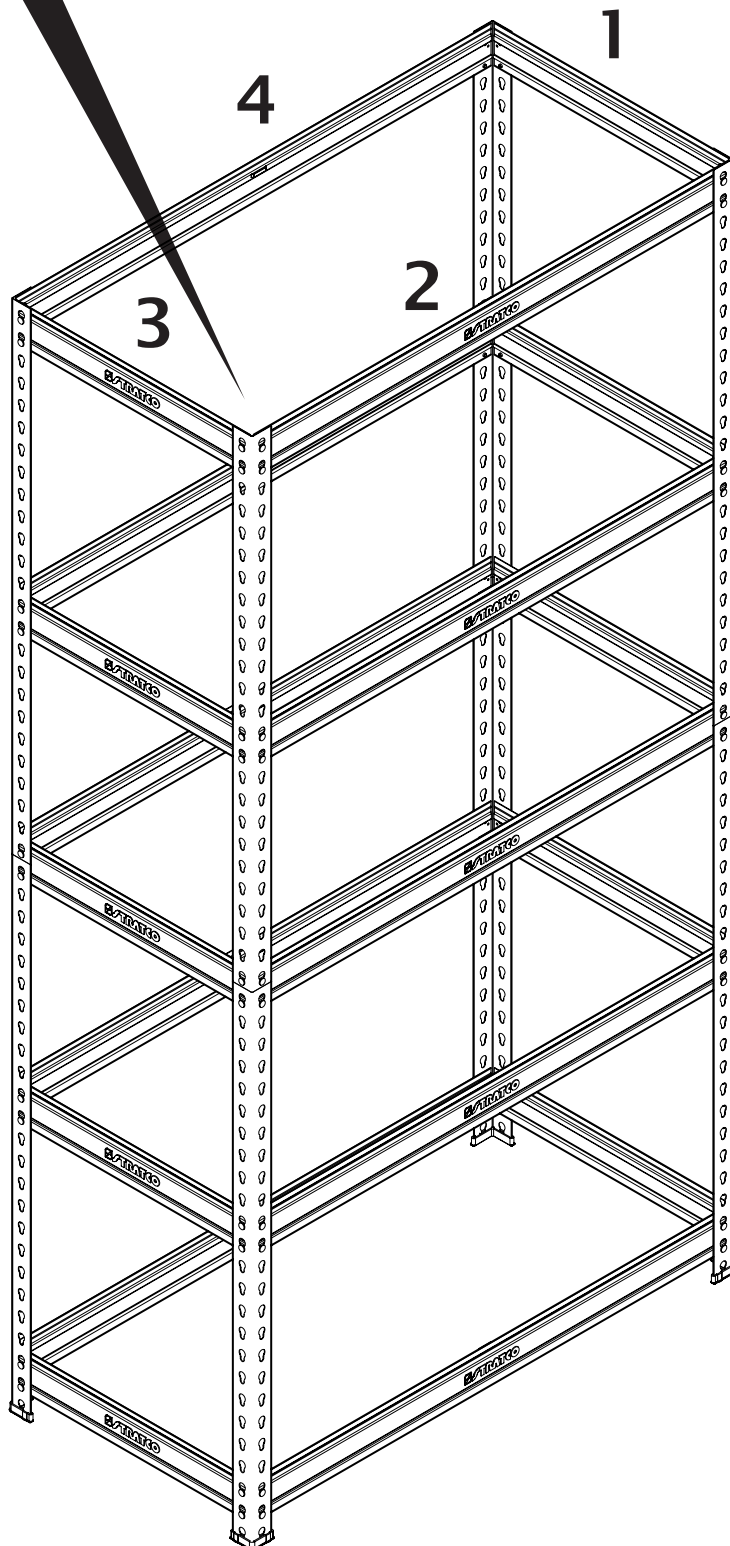
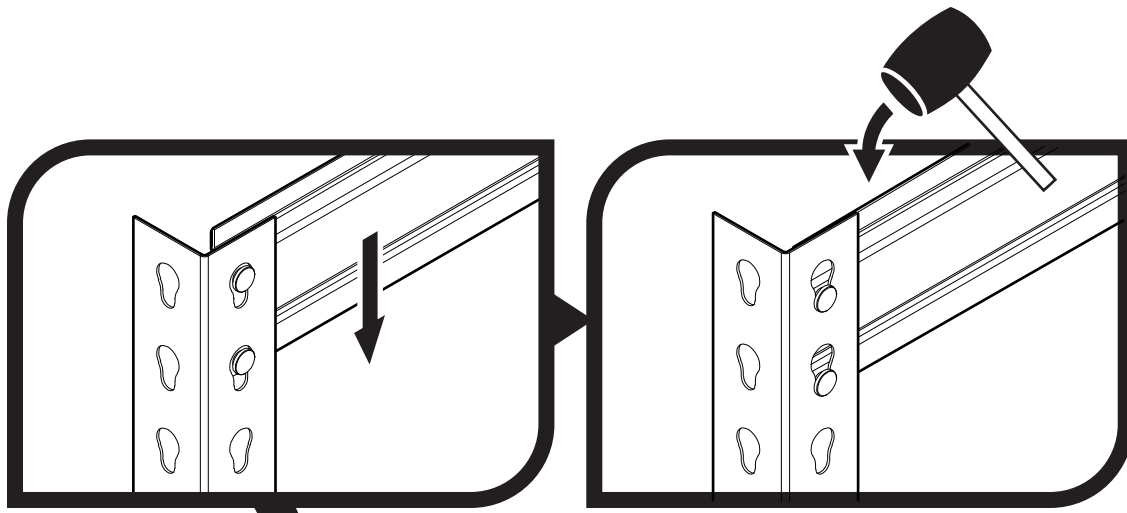
1x RUBBER Mallet

ASSEMBLY



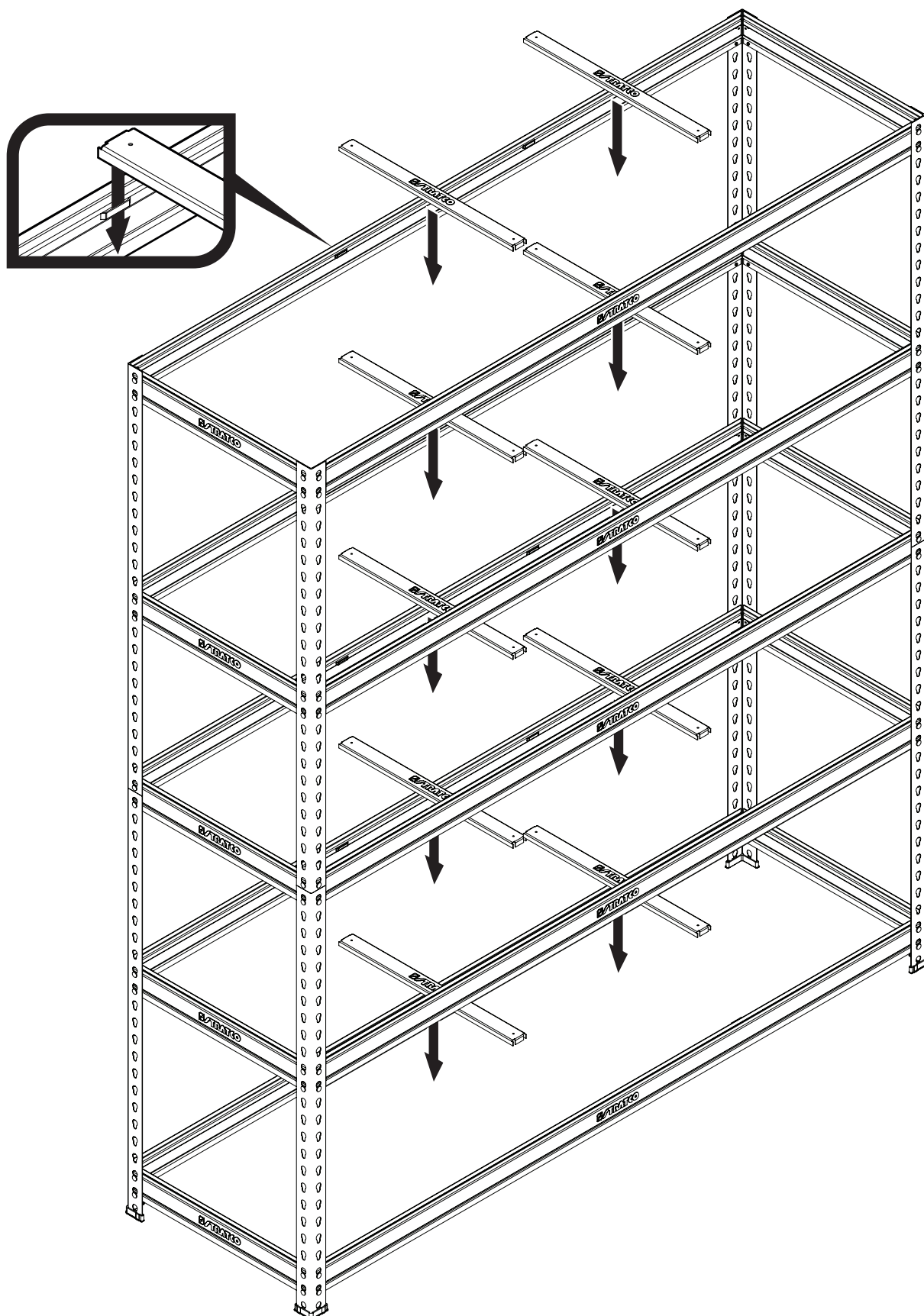


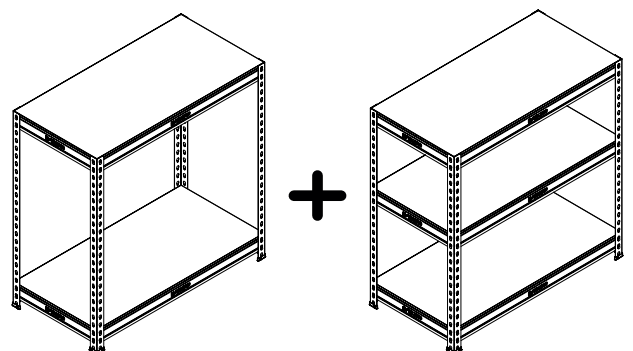
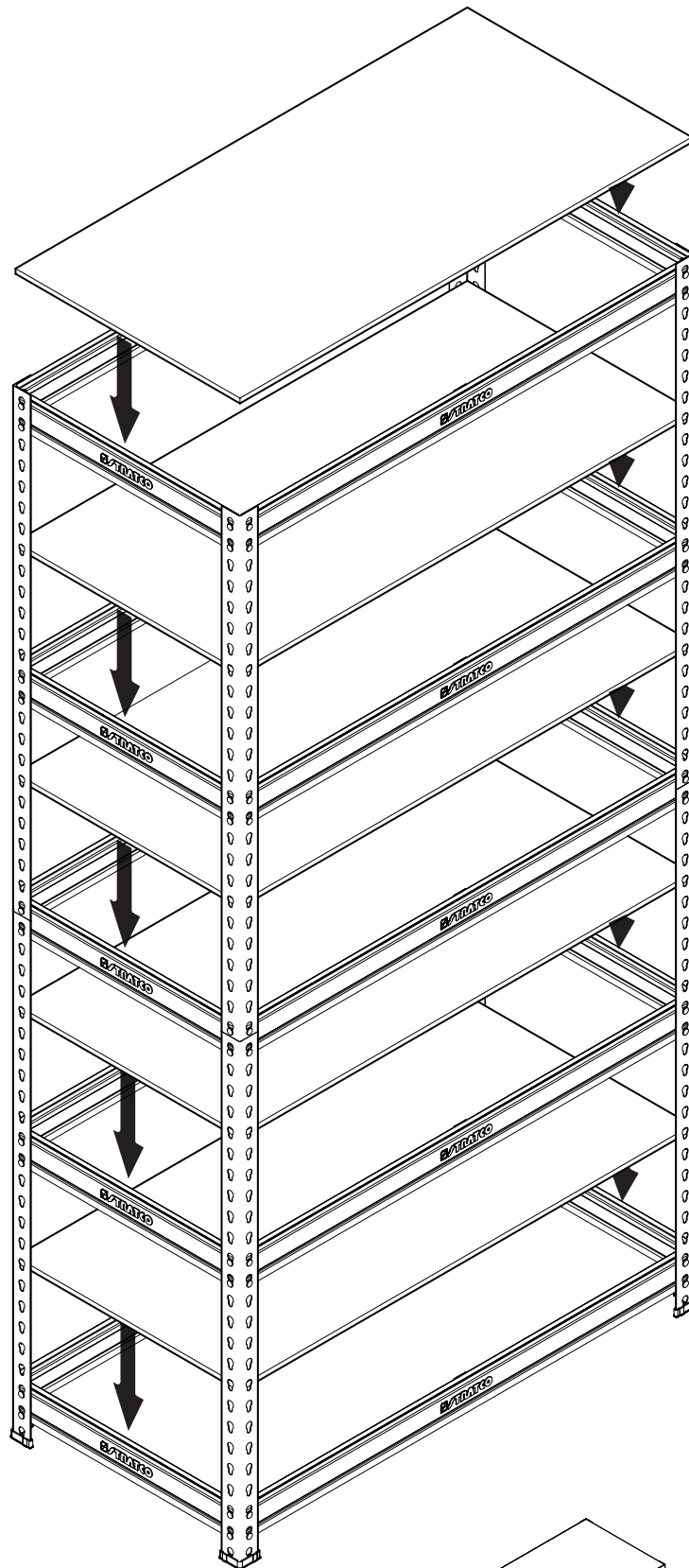




NOTE:

For the 1500mm wide unit you will need to install the two supplied shelf supports on the long rail for each shelf.





NOTE:
Using another four feet caps, you can create two shelving units.

