

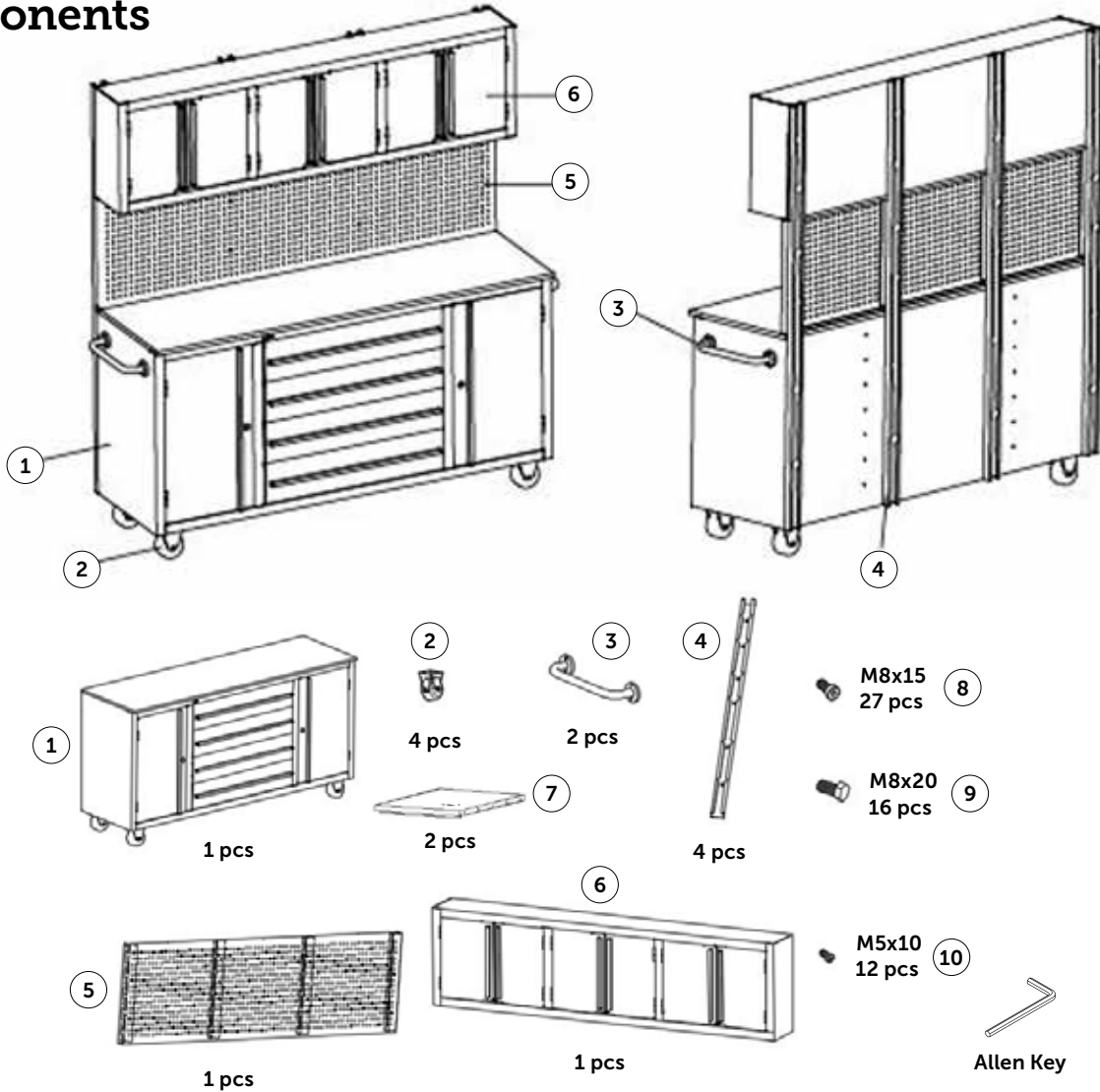


THANK YOU FOR PURCHASING YOUR ROLLER TOOL BOX WITH BENCH TOP.

Please carefully read and follow these instructions to assemble your unit.

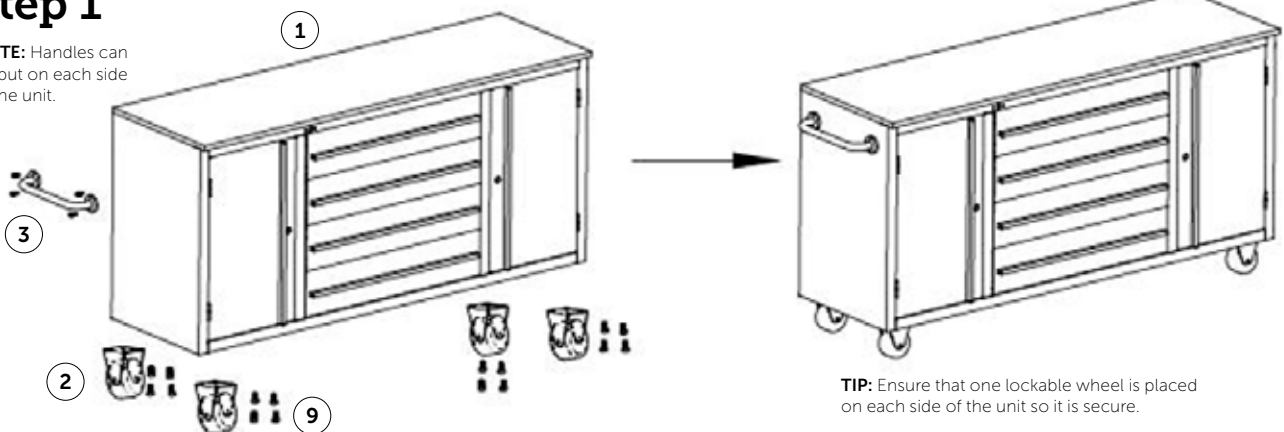
ENSURE PROTECTIVE EYEWEAR AND GLOVES ARE WORN WHEN ASSEMBLING THIS UNIT.

Components



Step 1

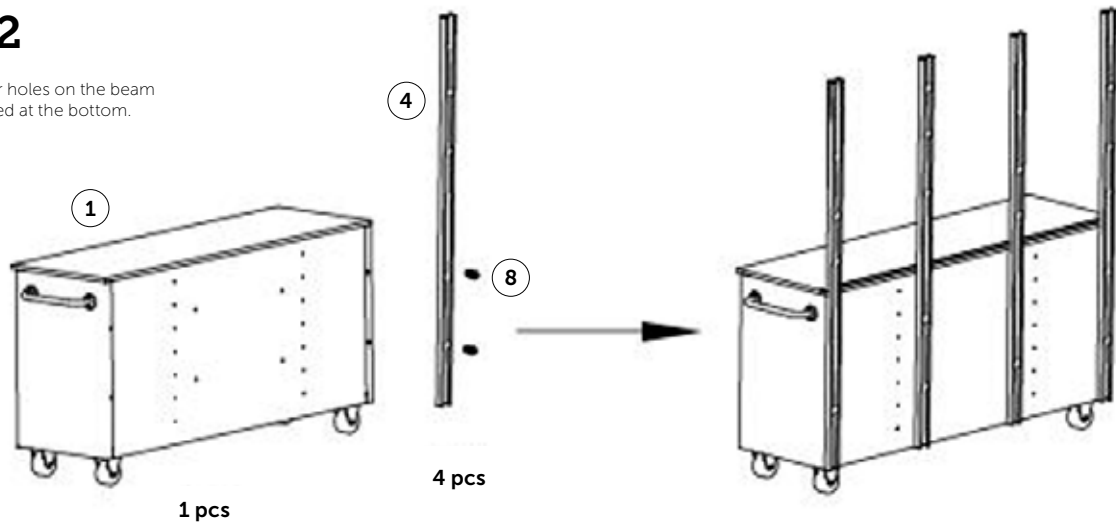
NOTE: Handles can be put on each side of the unit.



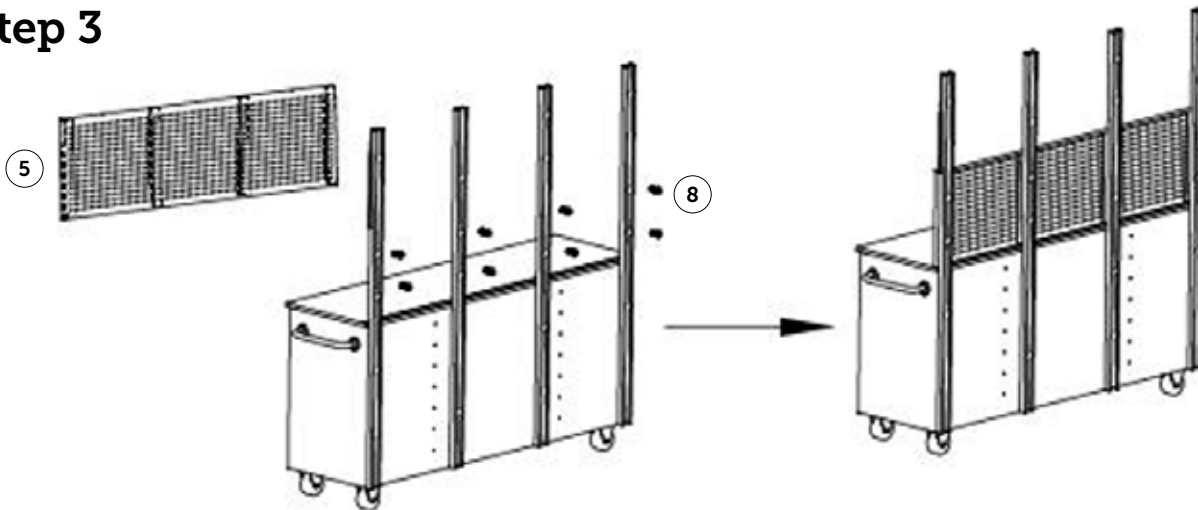
TIP: Ensure that one lockable wheel is placed on each side of the unit so it is secure.

Step 2

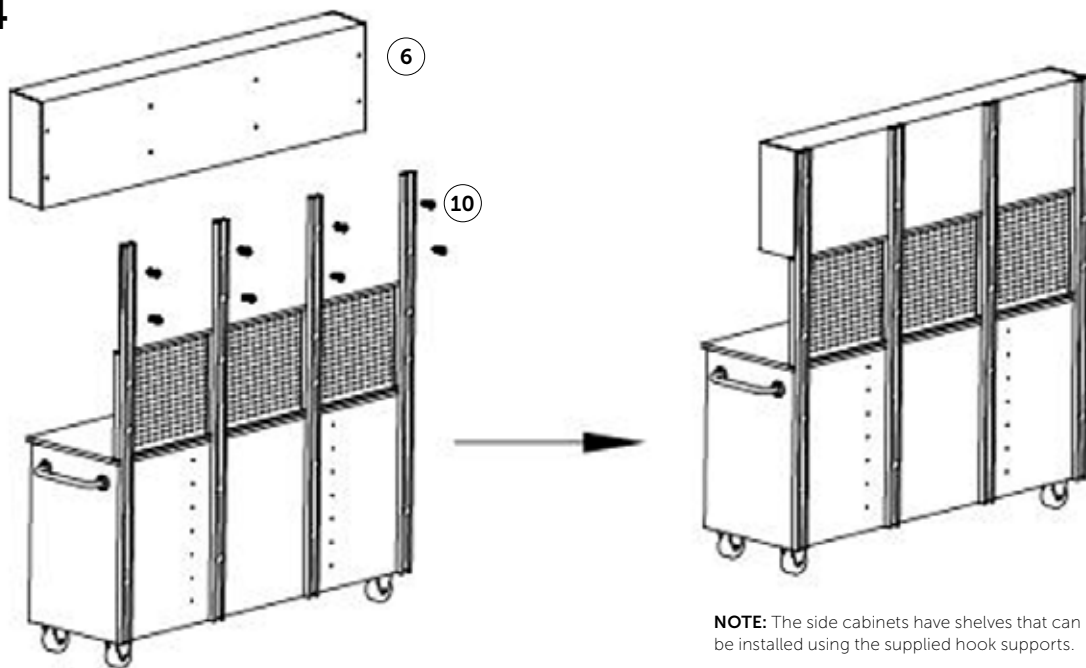
TIP: The wider holes on the beam are to be placed at the bottom.



Step 3



Step 4



NOTE: The side cabinets have shelves that can be installed using the supplied hook supports.