



SHEDS

INSTALLATION GUIDE

BEFORE YOU START

- It is important that you contact your local government authority to determine if building approval is required.
- Refer to the 'Use of Gas Appliances' and 'Heat Shield Installation' sections for important safety information when using gas appliances and managing heat build up. Ensure the Warning Sticker is installed in an adequate location as per Figure 10.8.
- Stratco offer an optional Gas Safety Shut-Off System which has been specifically designed for use with gas appliances within the shed. This safety system provides additional safety when operating gas appliances in the shed. Refer to the 'Gas Safety Shut-Off System' section.
- An optional Strip Lighting Kit can be installed within the shed, providing an integrated and effective lighting solution. The Lighting Kit must be installed during the installation steps as outlined within the guide.
- There are two options for fixing the The Umbra® Awning Shed to the ground. Determine the ground fixing method prior to assembly. The concrete slab or post holes must be set prior to assembling the Shed. The options for fixing The Umbra® Awning Shed to the ground are:
 - Option 1: Fixing posts to a concrete slab with Masonry Anchors. Footings and Fasteners will be supplied with this option.
 - Option 2: Fixing posts into the ground with post holes and a concrete slab.
- The Umbra® Awning Shed is suitable for wind classifications N1, N2 & N3. The Umbra® Awning Shed is not suitable for N4 or Cyclonic wind classifications. Check with Stratco staff for the wind classification of the location The Umbra® Awning Shed will be erected.
- Care must be taken when determining the location of The Umbra® Awning Shed as to not place the shed in close contact with sources of pollution or environmental factors that could affect the life of the steel.
- It is essential to clear and level the site prior to assembling your Awning Shed.
- There are different types and colours of screws used. Ensure the correct type and colour screw is being used at each location.
- Do not traverse or hang from any part of The Umbra® Awning Shed.
- The door must remain in the open position when operating a gas appliance within the shed. Never operate a gas appliance inside the shed with the door closed.
- Use heavy gloves and safety glasses when handling steel and never attempt to install a shed in windy conditions.
- Parts of the installation require two people.
- For further detail please refer to the installation video on the Stratco website.



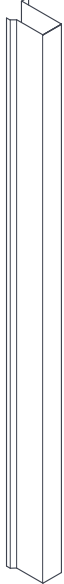



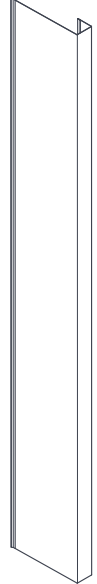









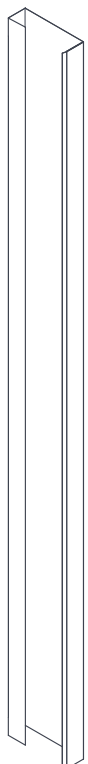
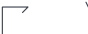




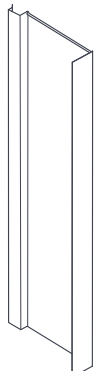

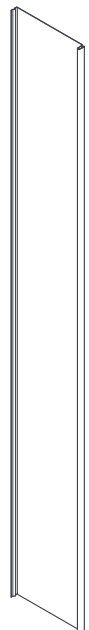



TOOLS AND HARDWARE REQUIRED

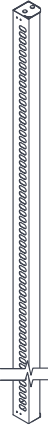




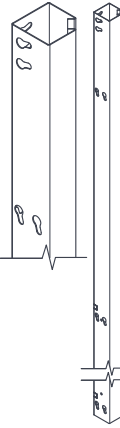
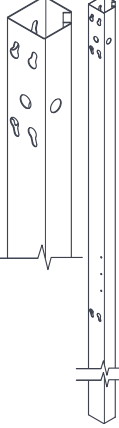



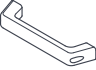
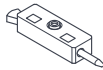





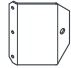

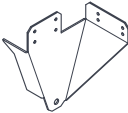
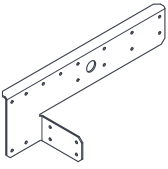
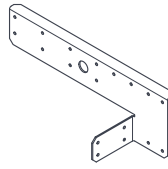
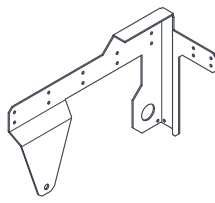
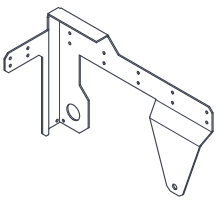
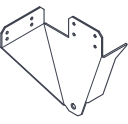







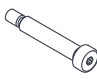






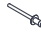


- Rivet Gun
- Tin Snips
- Pliers
- Large Flathead Screwdriver
- 13, 15 and 18mm Spanner
- 6mm & 8mm Allen Key
- Rubber Mallet
- Grinder with Cutting Disk or Hacksaw
- Cordless Drill
- Hammer Drill (if Cordless Drill has no Hammer function)
- Masonry Drill Bit to suit provided
Masonry Anchors
- 5/16 Hex-head Bit
- PH2 Phillips-head Bit
- T20 Torx Bit (provided in box)
- 3.5mm Drill Bit
- 20mm Step Drill Bit
- Tape Measure
- Set Square
- Trestles or Work Table
- Ladder
- Safety Glasses
- Cut Resistant Gloves

THE UMBRA® AWNING SHED




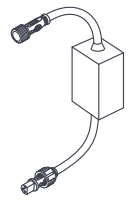
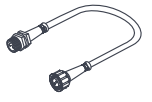
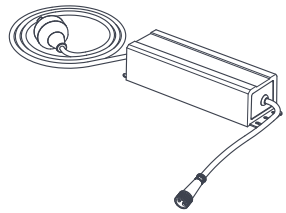
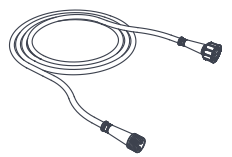
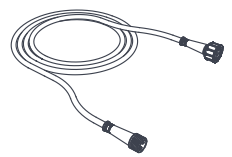
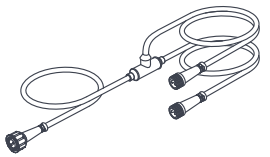
INSTALLATION GUIDE

COMPONENTS

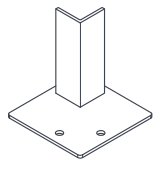
<p>Drip Flashing x1</p>  	<p>Front Wall Flashing x2</p>  	<p>Corner Wall Flashing x2</p>  	<p>Side Door Flashing x2</p>  	<p>Bottom Door Flashing x1</p>  	<p>Top Door Flashing x1</p>  	<p>Side Barge Flashing x2</p>  	<p>Front Barge Flashing x1</p>  
<p>Gutter x1</p>  	<p>Downpipe x1</p>  	<p>Cavity Roof Flashing x2</p>  	<p>End Roof Sheet x2</p>  	<p>Wall Sheet 995mm x8 2060mm x9 2190mm x11</p>  	<p>Wall Sheet - Double Overlap 2060mm x1 2190mm x3</p>  		

<p>2740mm Vented Frame x1</p> 	<p>2740mm Frame x3</p> 	<p>2575mm Frame x4</p> 	<p>900mm Frame x6</p> 	<p>900mm Double Height Frame x2</p> 	<p>2190mm Frame x2</p> 	<p>2920mm Frame x4</p> 	<p>Frame Brace x2</p> 	
<p>Strut x2</p> 	<p>Pull Strap x1</p> 	<p>Door Handle x1</p> 	<p>Door Lock x2</p> 	<p>Downpipe Strap and Spacer x1</p> 	<p>Downpipe Outlet x1</p> 	<p>Stop End x2</p> 		
<p>End Cap x2</p> 	<p>Lower Strut Bracket x2</p> 	<p>Internal Strut Bracket x2</p> 	<p>Door Stop Bracket x2</p> 	<p>LH Strut Bracket x1</p> 				
<p>LH Wall Hinge Bracket x1</p> 	<p>RH Wall Hinge Bracket x1</p> 	<p>LH Door Hinge Bracket x1</p> 	<p>RH Door Hinge Bracket x1</p> 	<p>RH Strut Bracket x1</p> 				
<p>Internal Hinge Bushing x2</p> 	<p>External Hinge Bushing x4</p> 	<p>14mm Spacer x4</p> 	<p>Door Stopper x4</p> 	<p>M8 Nyloc Nut x2</p> 	<p>M10 Flanged Nut x2</p> 	<p>M10 Washer x6</p> 	<p>Shoulder Bolt x2</p> 	<p>M12 Bolt x2</p> 
<p>12Gx35mm Coloured Hex-Head Self-Drilling Screw x5</p> 	<p>12Gx20mm Plain Hex-Head Self-Drilling Screw x9</p> 	<p>10Gx16mm Hex-Head Self-Drilling Screw with Neoprene Washer x44</p> 	<p>10Gx16mm Hex-Head Self-Drilling Screw x187</p> 	<p>T20 Torx-Head Screw x132</p> 	<p>Rivet x14</p> 	<p>T20 Torx Bit x1</p> 	<p>Door Handle Stainless Fastener Kit x2 M8 Socket Head Bolt x4 M8 Washer x2 M8 Nyloc Nut</p> 	

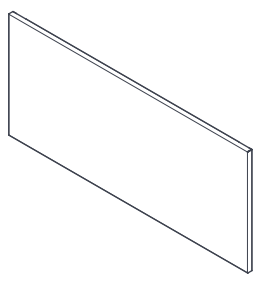
COMPONENTS - OPTIONAL ADD-ONS STRIP LIGHTING KIT

<p>Light Flashing 2570mm x1 2735mm x1</p> 	<p>Strip Light 2560mm x1 2720mm x1</p> 	<p>Torx-Head Screw x8</p> 	<p>Light Switch x1</p> 	<p>Panel Connector Cable x1</p> 
<p>24v Power Supply x1</p> 	<p>2 Pin Extension Cable x1</p> 	<p>3 Pin Extension Cable x1</p> 	<p>1:2 Splitter Cable x1</p> 	

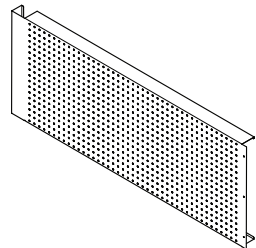

GROUND FIXING KIT

<p>Footing x4</p> 	<p>M10 Masonry Anchor x8</p> 	<p>12Gx20mm Plain Hex-Head Self-Drilling Screw x16</p> 
---	--	--

HEAT SHIELD

<p>Heat Shield x1</p> 

PEGBOARD KIT

<p>Pegboard x1</p> 	<p>Wafer-Head Screw - White x3</p> 
--	--

DIMENSIONS

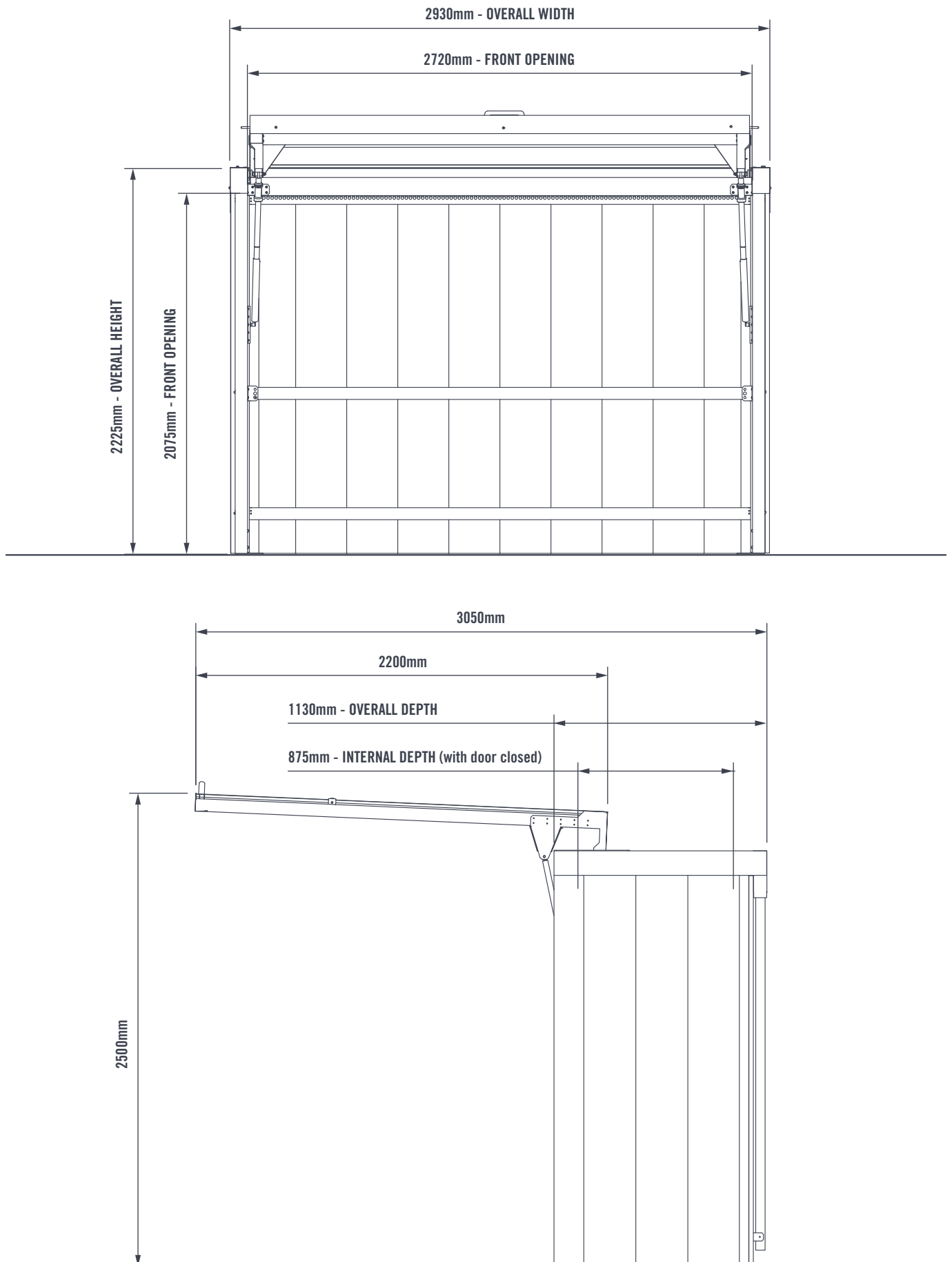


FIGURE 1.0

MAIN FRAME ASSEMBLY

- 1) 900mm Frame
- 2) 900mm Double Height Frame
- 3) 2920mm Frame
- 4) 2740mm Frame
- 5) 2740mm Vented Frame

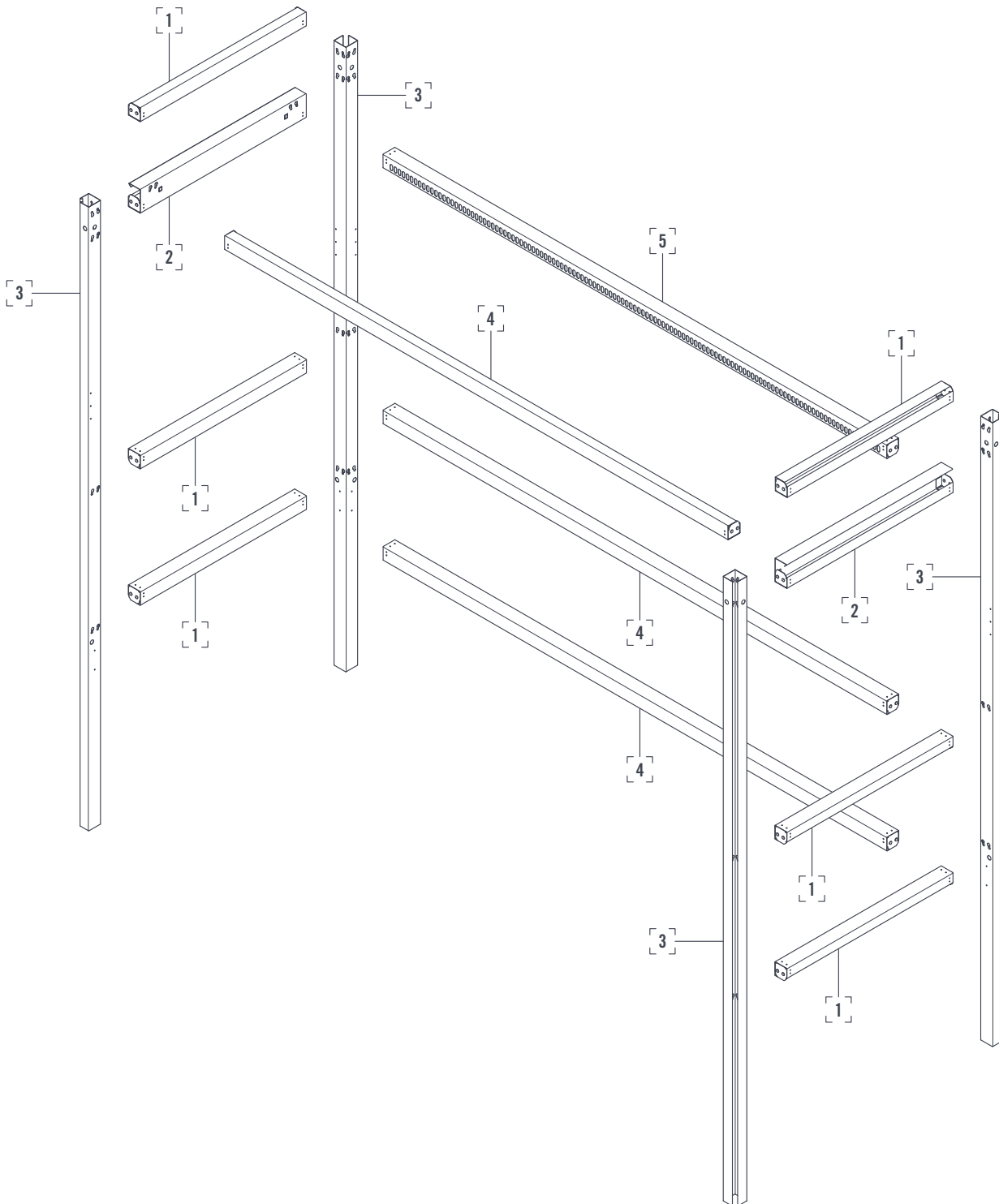


FIGURE 1.1

DOOR FRAME ASSEMBLY

6) 2190mm Frame

7) 2575mm Frame

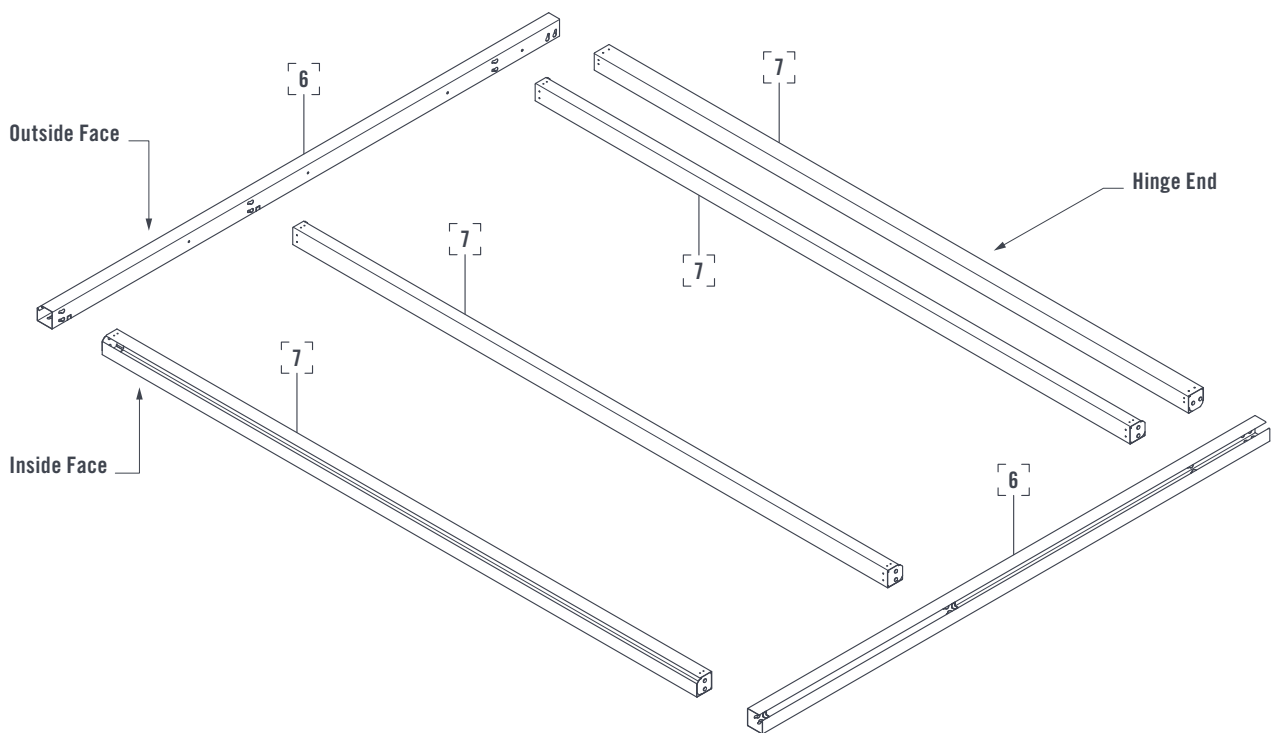


FIGURE 1.2

MAIN ASSEMBLY

- | | | | |
|--------------------------------------|--------------------------|---------------------------|-------------------------------|
| 8) 2190mm Sheet | 13) End Roof Sheet | 20) Stop End | 27) Internal Strut Bracket |
| 9) 2190mm Sheet
- Double Overlap | 14) Cavity Roof Flashing | 21) Gutter | 28) Lower Strut Bracket |
| 10) 2060mm Sheet | 15) Corner Wall Flashing | 22) Downpipe | 29) Door Stop Bracket |
| 11) 2060mm Sheet
- Double Overlap | 16) Front Wall Flashing | 23) Downpipe Outlet | 30) Internal Hinge Bushing |
| 12) 995mm Sheet | 17) Front Barge Flashing | 24) D-pipe Strap & Spacer | 31) External Hinge Bushing |
| | 18) Side Barge Flashing | 25) LH Wall Hinge Bracket | 32) Footing (Ground fix only) |
| | 19) End Cap | 26) RH Wall Hinge Bracket | |

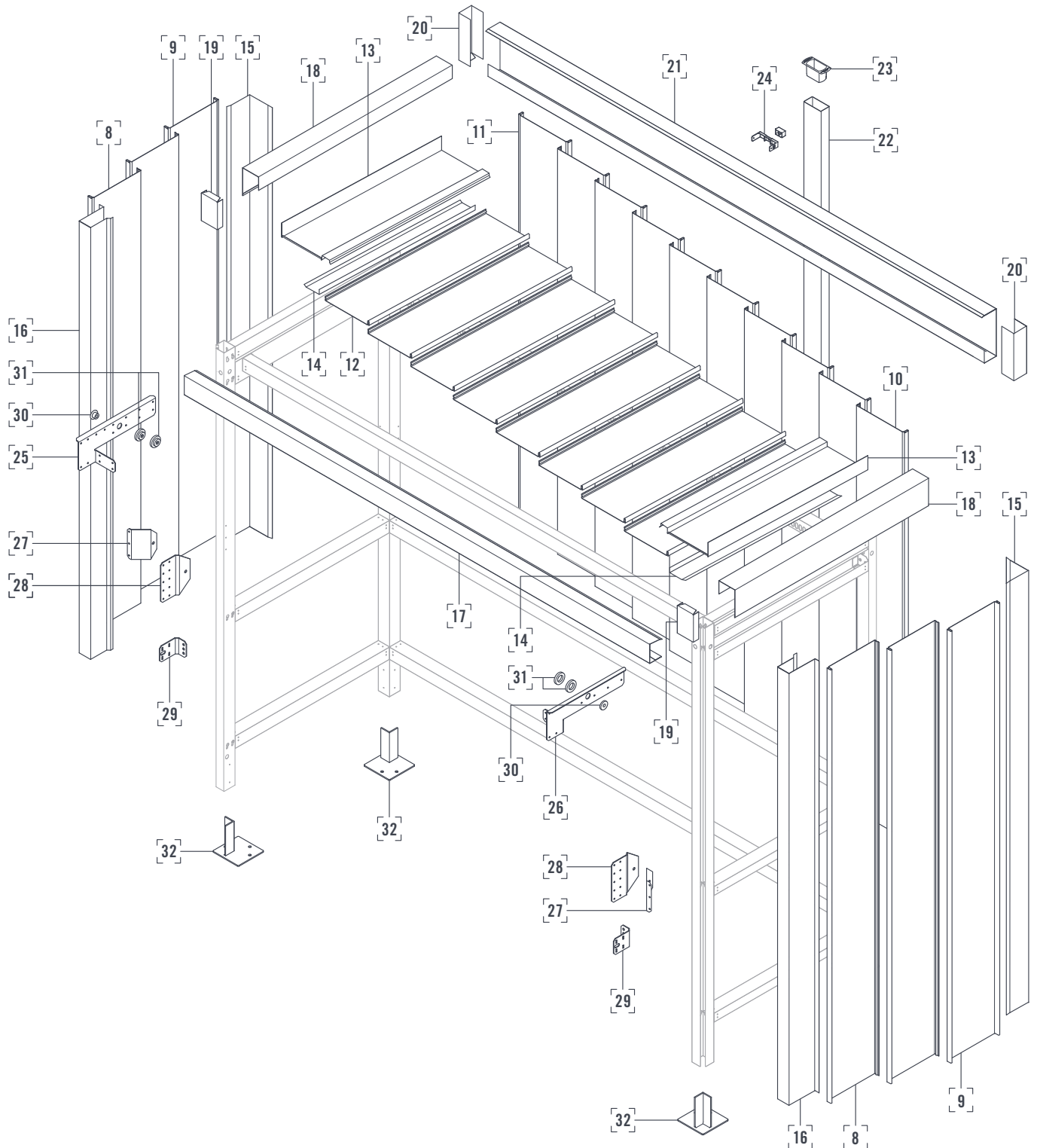


FIGURE 1.3

DOOR ASSEMBLY

- | | | | |
|----------------------|------------------------|--------------------------|-----------------|
| 33) LH Hinge Bracket | 37) Strut | 41) Top Door Flashing | 45) Pull Strap |
| 34) RH Hinge Bracket | 38) 2190mm Sheet | 42) Drip Flashing | 46) Door Handle |
| 35) LH Strut Bracket | 39) 2190mm Sheet | 43) Bottom Door Flashing | 47) Door Lock |
| 36) RH Hinge Bracket | - Double Overlap | 44) Frame Brace | |
| | 40) Side Door Flashing | | |

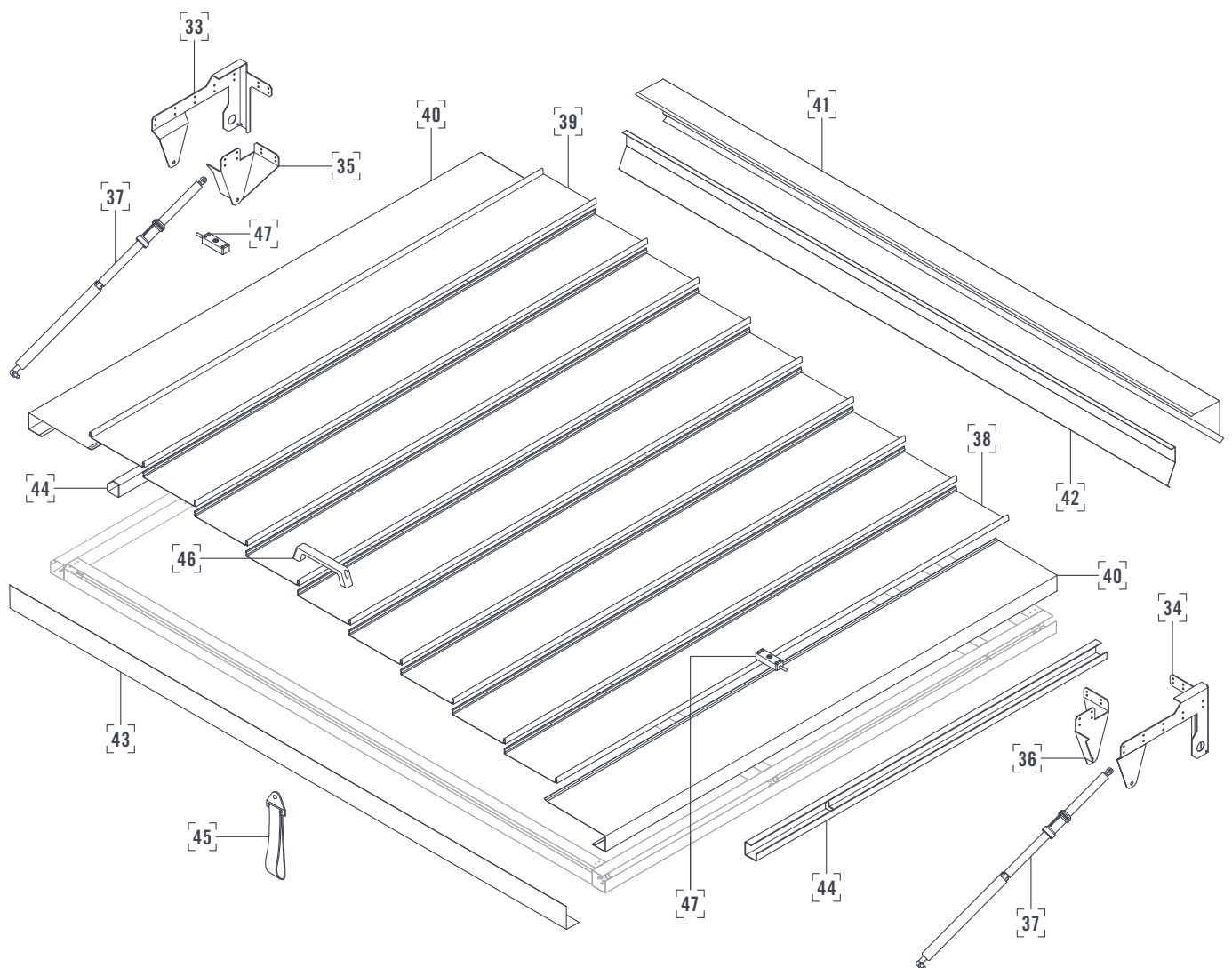


FIGURE 1.4

GROUND FIXING OPTION 1 - ANCHORING POSTS TO A CONCRETE SLAB

Follow this step if fixing Posts to a concrete slab with Masonry Anchors, otherwise skip this step.

Ensure the ground is firm and compacted. Pour a concrete slab a minimum size of 2950mm x 1250mm x 200mm (Figure 2.0). Use a SL81 reinforcing mesh with 30mm cover in the concrete slab (refer Figure 2.3). Concrete must be a minimum N32 Grade.

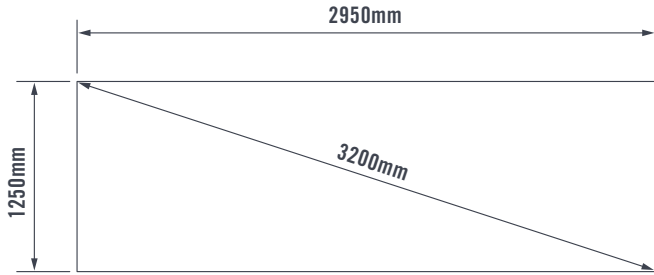


FIGURE 2.0

Cut all four 2920mm Frames along cut markers using an angle grinder or a hacksaw (Figure 2.1).

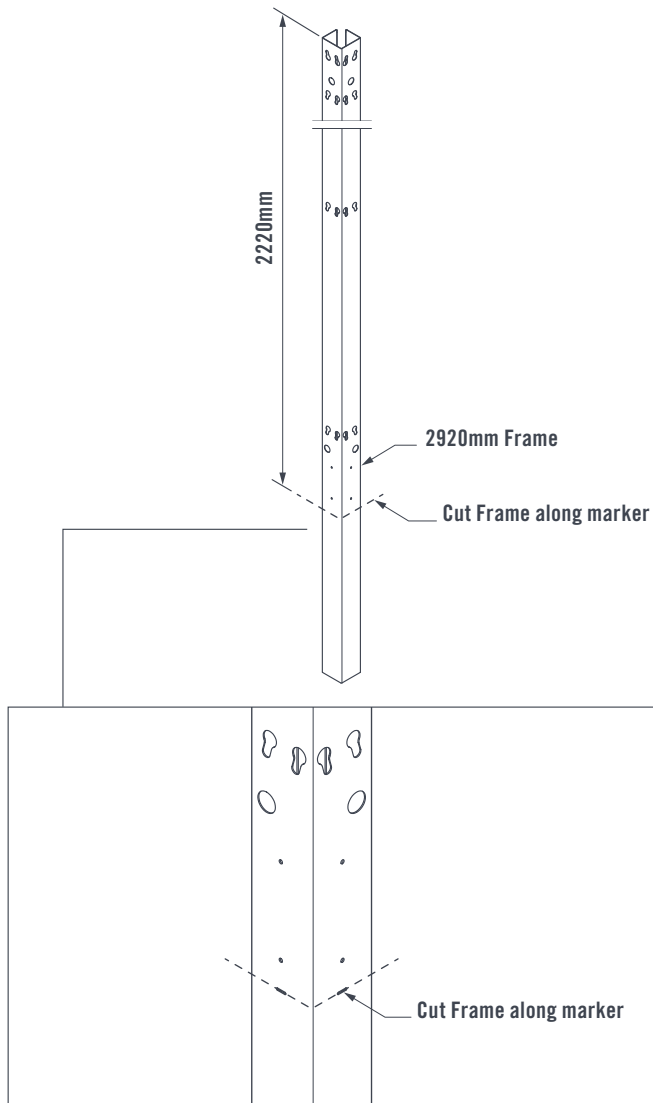


FIGURE 2.1

Fit the Footing into the 2920mm Frame. Fasten the Frame to the Footing using four 12Gx20mm Plain Hex-Head Self-Drilling Screws through the pilot holes. Assemble the remaining three 2920mm Frames in the same manner (Figure 2.2).

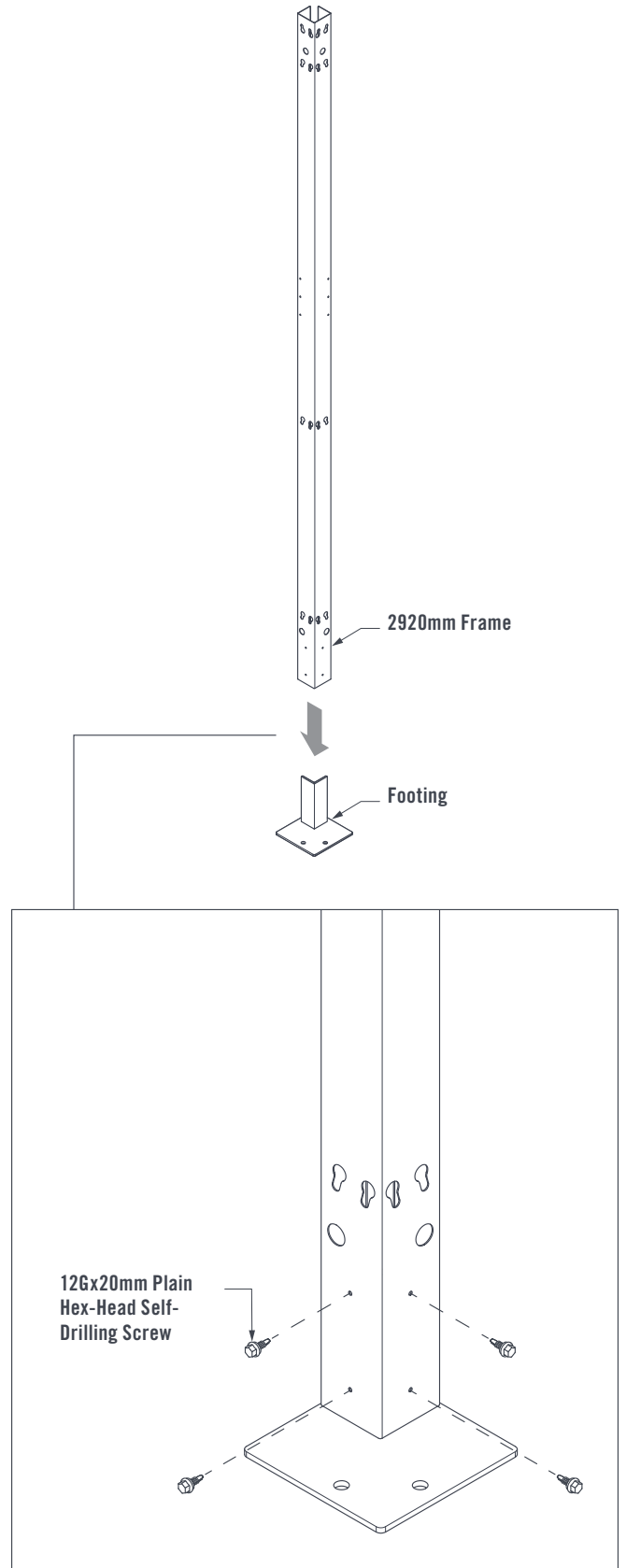


FIGURE 2.2

Assemble the Frame as per **Figure 4.0 to 4.1** and then return to this step.

Once the concrete is set, position the Frame Assembly onto the Concrete Slab in the final anchoring position. 1) Drill two holes through all four Footings and into the Concrete Slab using a Masonry Drill Bit. 2) Fasten the Footings using two M10 Masonry Anchors through the holes in each of the four Footings (Figure 2.3). Continue assembling the Frame as per **Figure 4.2**.

Note: Access to the rear of the Shed will be required throughout the assembly. If the final anchoring position of the Shed is close to an obstruction such as a fence, the Shed can be temporarily positioned away from the obstruction for access to the rear of the Shed during these assembly steps. The Shed can then be anchored into the final position after steps in **Figure 8.3**.

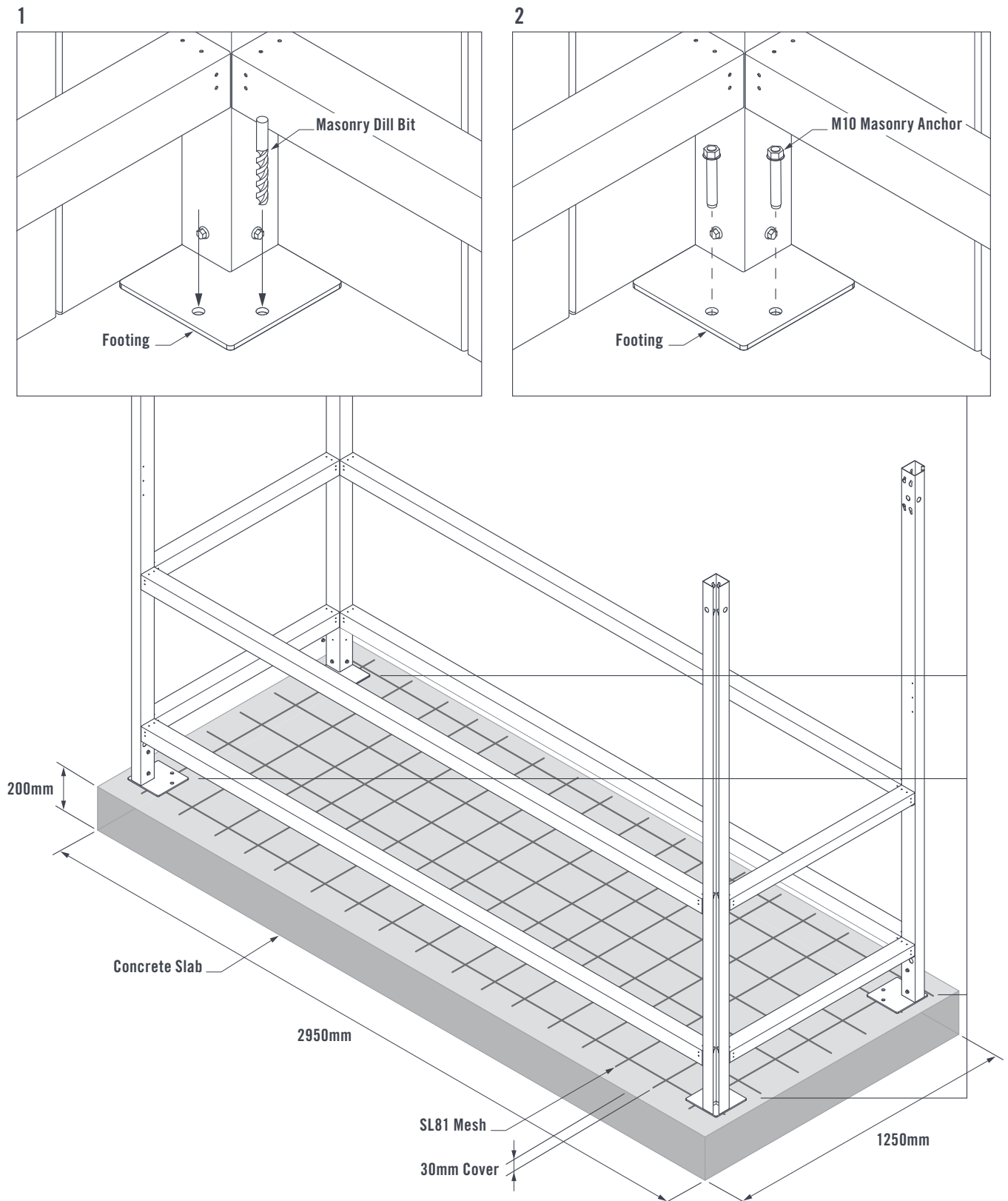


FIGURE 2.3

GROUND FIXING OPTION 2 - FIXING POSTS INTO THE GROUND WITH A SLAB

Follow this step if fixing Posts into the ground with post holes and a slab, otherwise skip this step.

Assemble the Frame as per **Figure 4.0 to 4.1** and then return to this step.

Dig post holes 2800mm x 970mm apart. Place a brick(s) in the bottom of the hole to ease settlement. Position the Frame Assembly 600mm into the post holes. Prepare a border for the slab 2860mm x 1030mm x 100mm in size. Ensure the sides of the concrete slab are in-line with the outer faces of the 2920mm Frame.

Ensure the ground is firm and compacted. Use a reinforcing mesh with the concrete slab. Concrete must be a minimum N32 Grade. Pour the concrete post holes and slab (Figure 3.0).

NOTE: It is vital that the distance from the slab to the horizontal frame members is 180mm. Check that the Frame is level and square.

Once the concrete is set, continue assembling the Frame as per **Figure 4.2**.

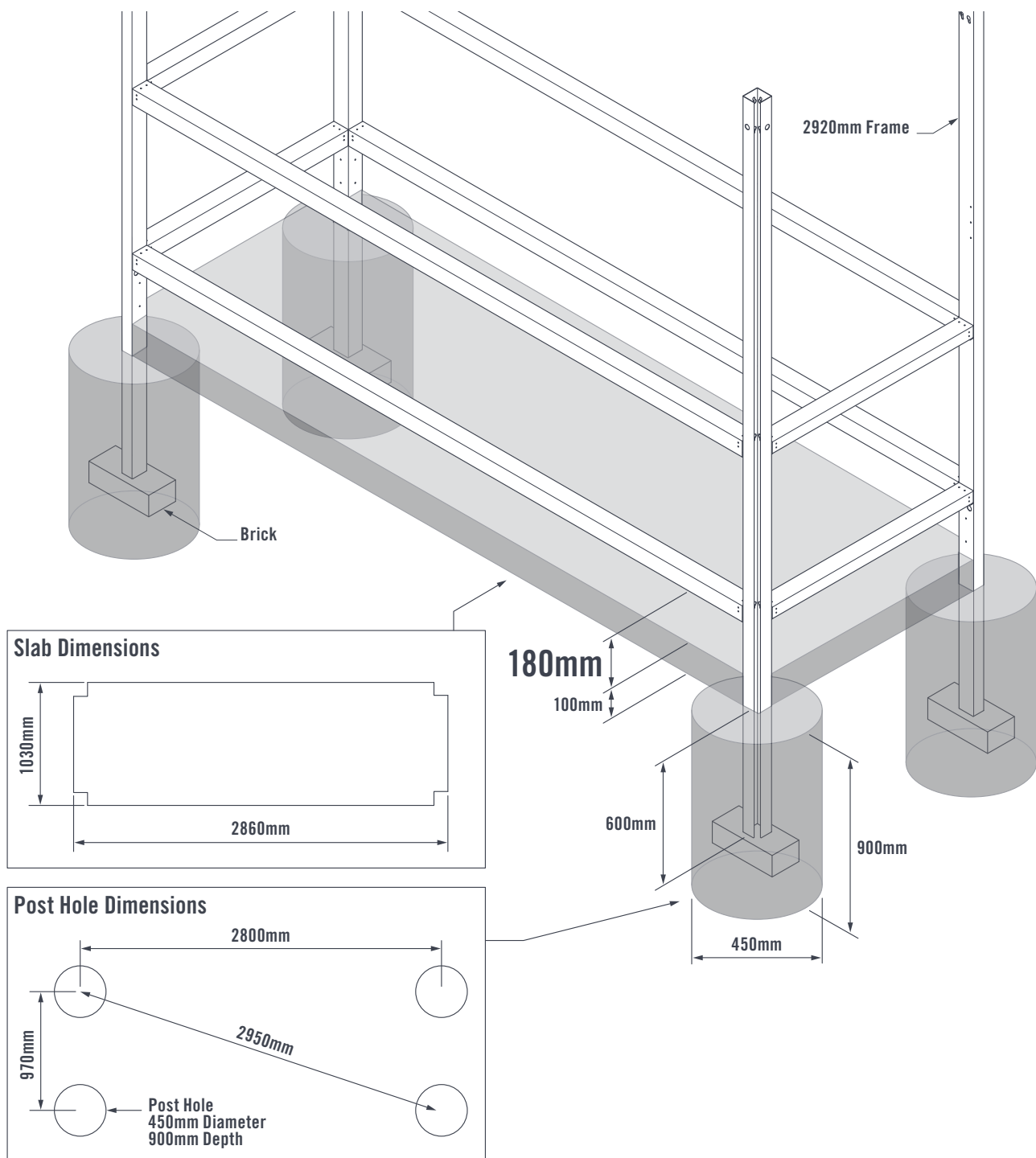


FIGURE 3.0

FRAME ASSEMBLY

The Frame components are assembled using a 'Slot & Lock' connection. To lock Frame components together, fit the Rivets into the Slot & Lock Keyholes and push down. Assemble the 900mm and 2740mm Frames to the 2920mm Frames, ensuring correct Frame orientation as shown (Figure 4.0).

If installing a Lighting Kit, fasten the 24V Power Supply to the 900mm Frame with two Torx-Head Screws prior to installing the Frame.

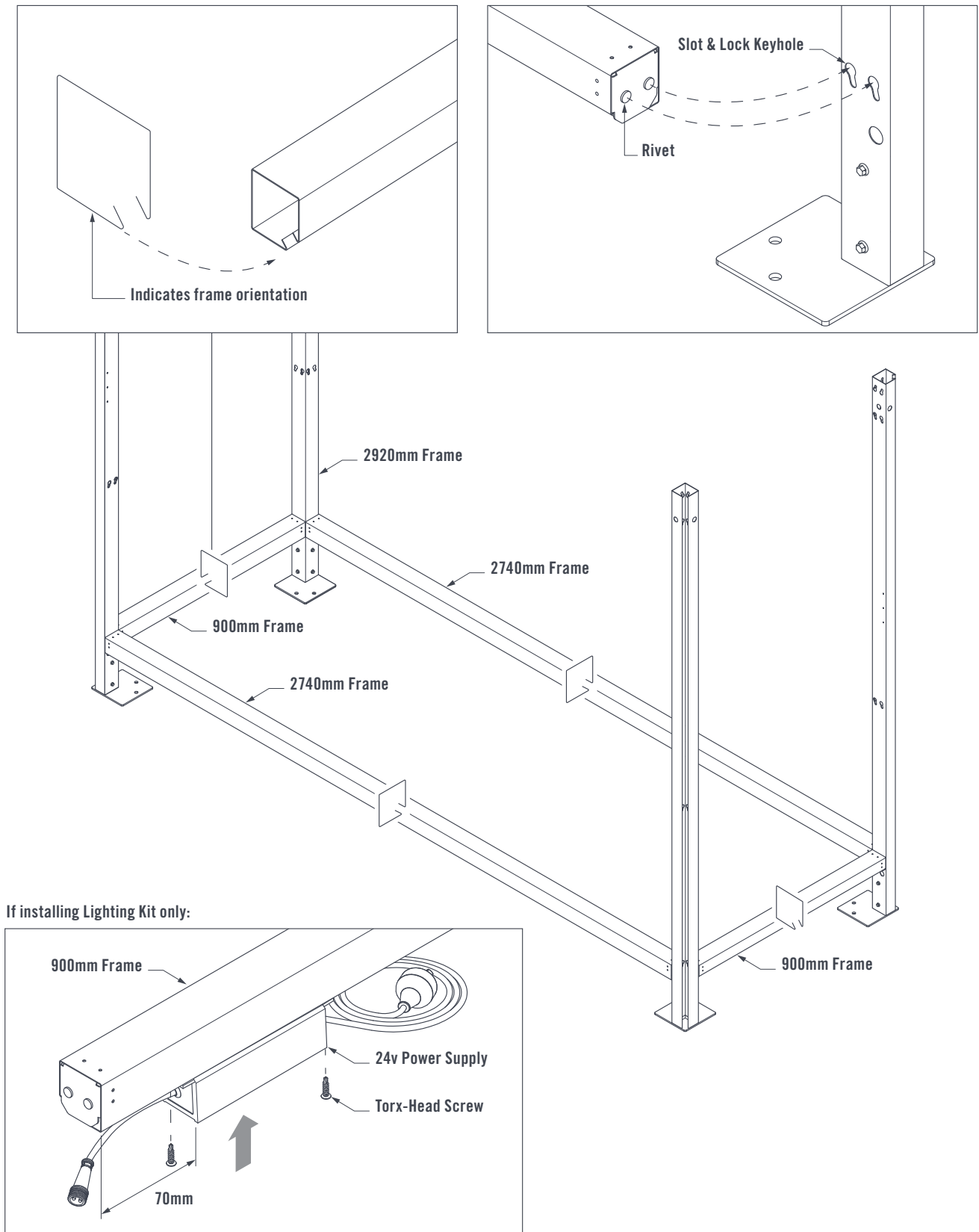


FIGURE 4.0

The front 2740mm Frame, 2740mm Vented Frame and four front 12Gx20mm Plain Hex-Head Self-Drilling Screws were installed to ensure the Frame Assembly was square during the ground fixing steps. These components can now be removed (Figure 4.2).

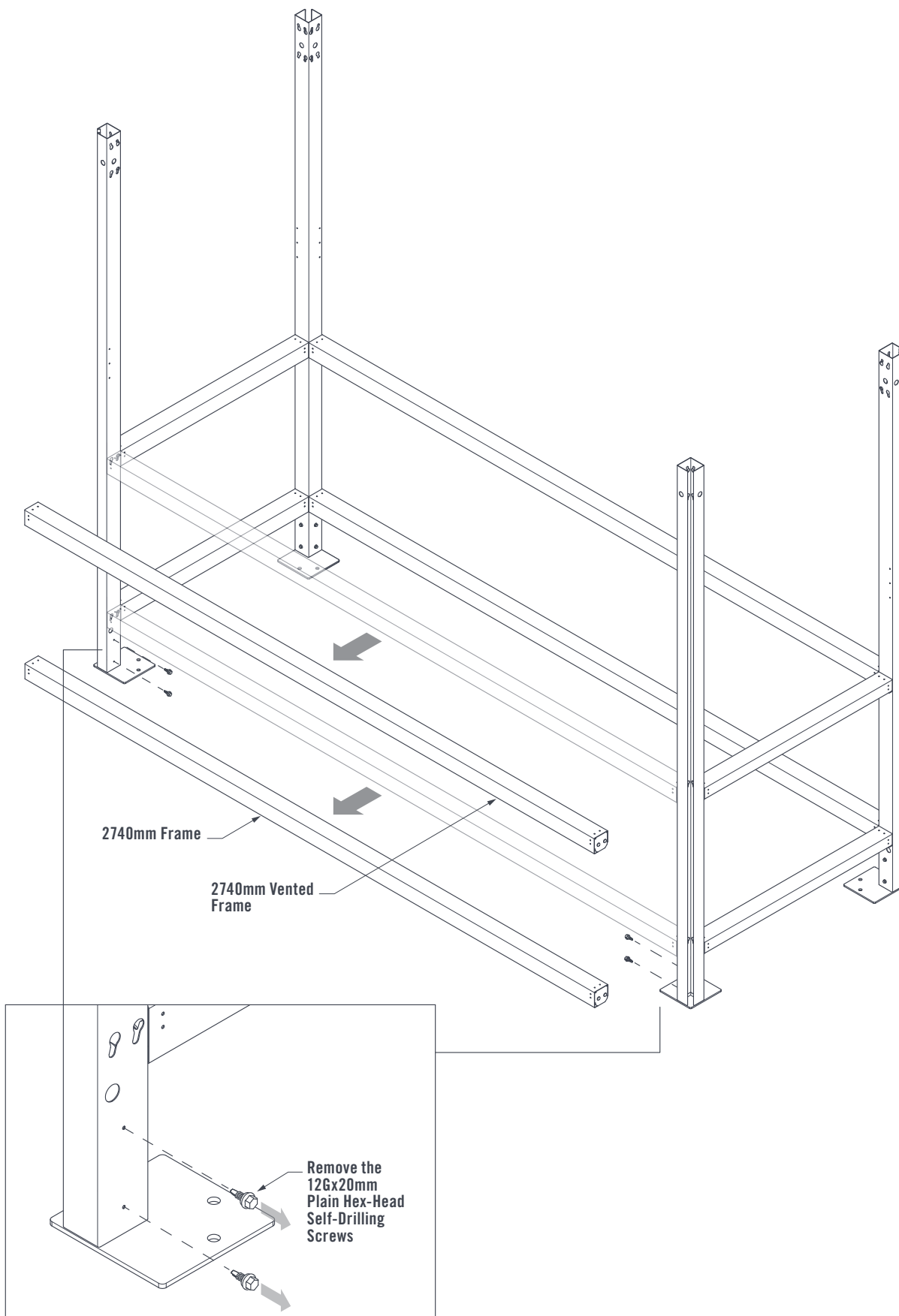


FIGURE 4.2

THE UMBRA® AWNING SHED INSTALLATION GUIDE

Attach the 900mm Double Height Frames and 2740mm Vented Frame to the 2920mm Frames (Figure 4.3).

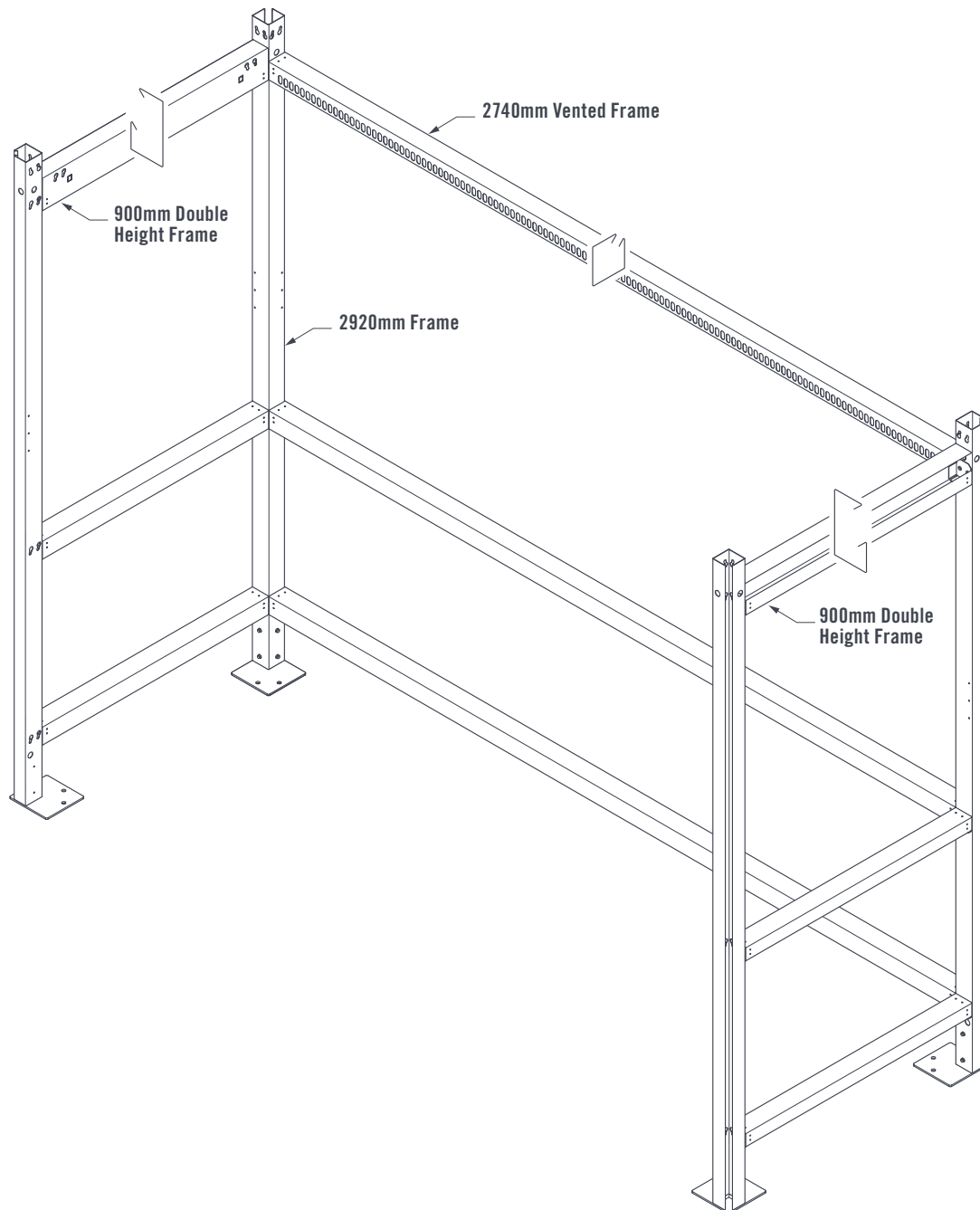


FIGURE 4.3

Attach the 900mm Frames to the 2920mm Frames. Note: Use a Large Flathead Screwdriver to pry the 900mm Frame ends into the key-holes. Attach the 2740mm Frame to the 900mm Double Height Frames (Figure 4.4).

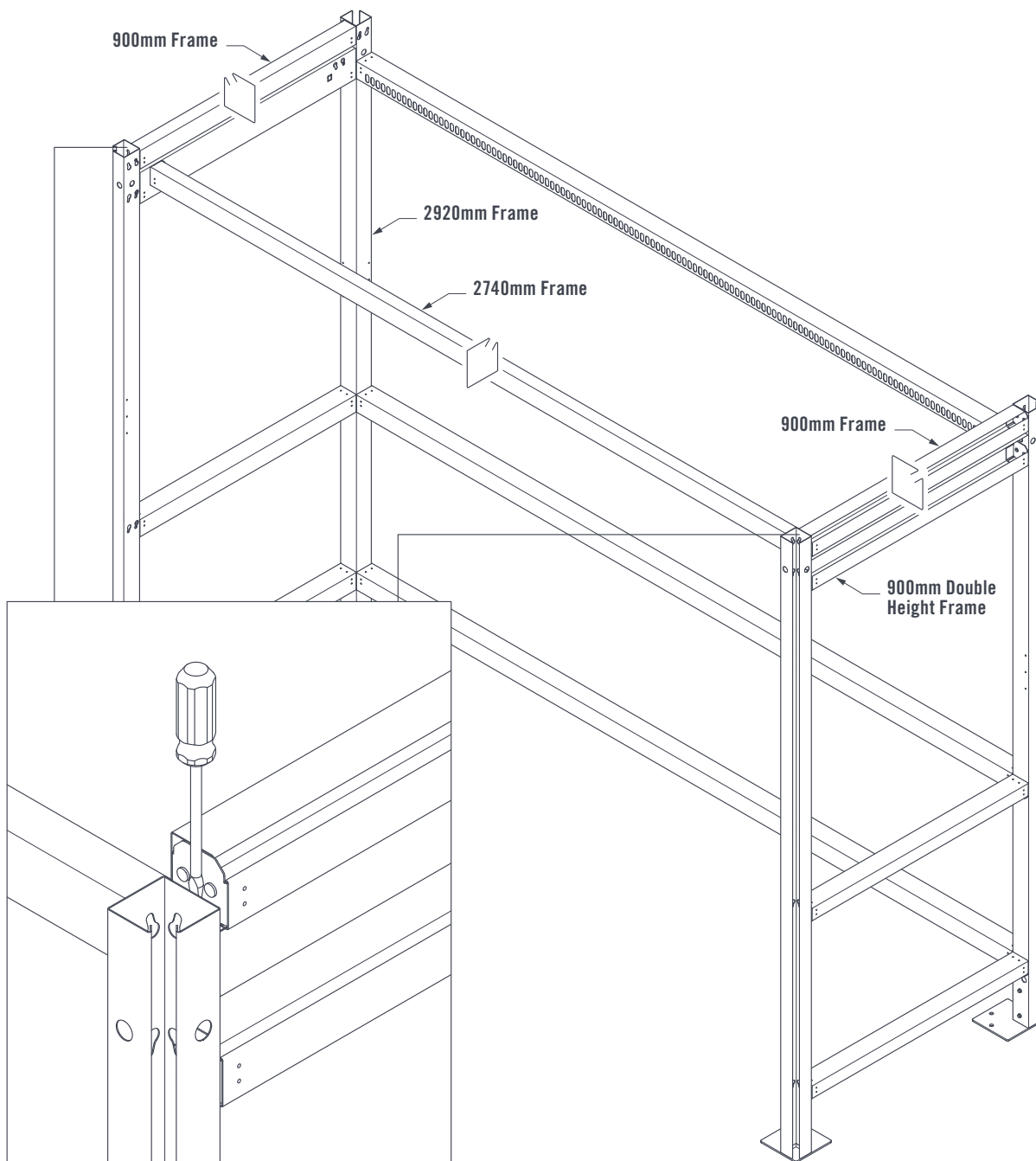


FIGURE 4.4

LIGHTING KIT (OPTIONAL)

Follow this step if installing a Lighting Kit, otherwise skip this step.

Drill two 14mm holes into the 2920mm Frame for the Light Switch Controller cables. These holes are to be 100mm from the Double Height Frame and 100mm apart. Fasten the Light Switch Controller to the 2920mm Frame between the two 14mm holes using two Torx-Head Screws. Connect the 2 Pin Extension Cable to the Light Switch and feed through the 2920mm Frame towards the Power Supply (Figure 4.5).

Remove the Removable Tab from the 900mm Double Height Frame and feed the Male end of the 3 Pin Splitter Cable through the hole and connect to the Light Switch Controller (Figure 4.5).

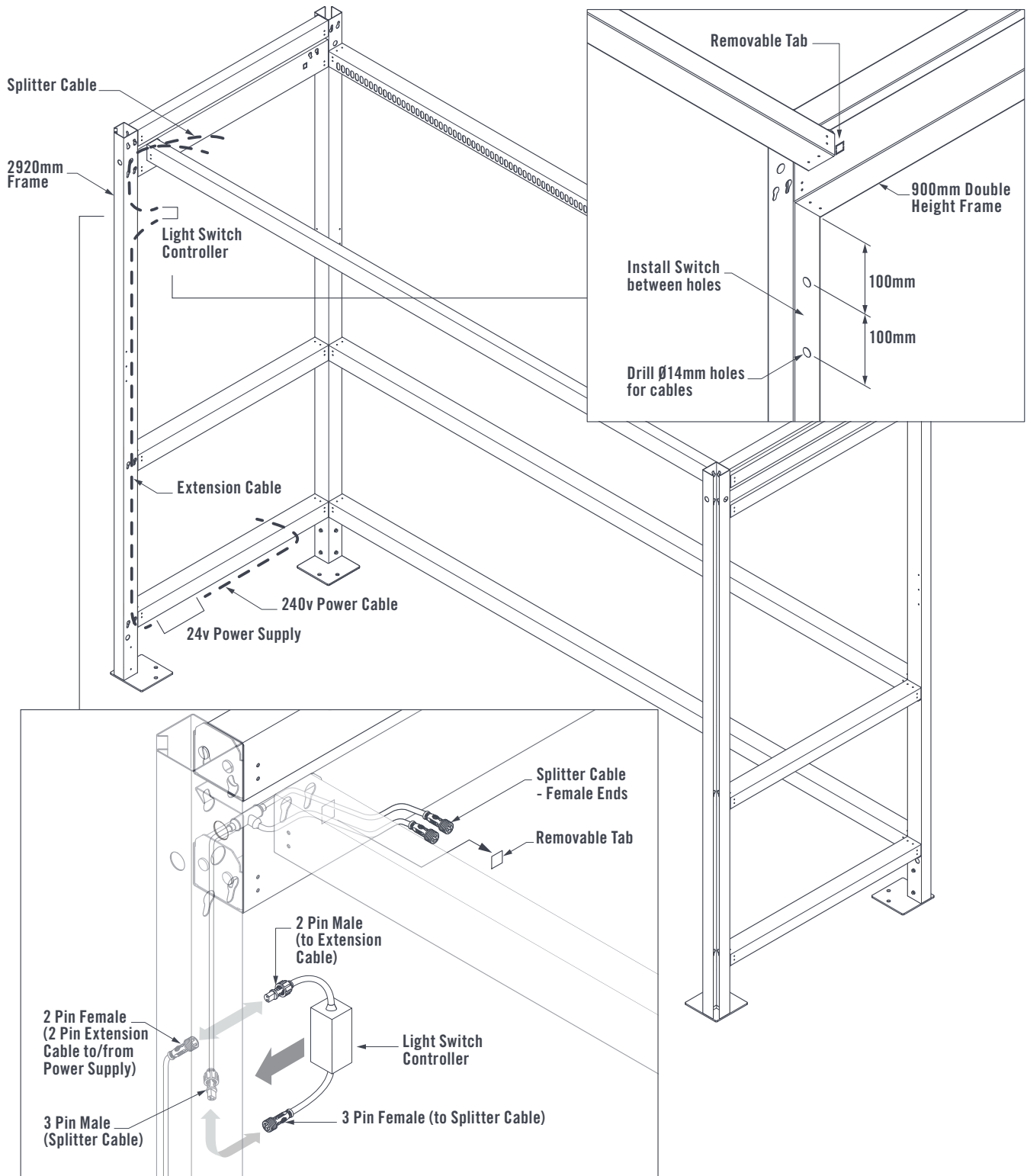


FIGURE 4.5

Follow this step if installing a Lighting Kit, otherwise skip this step.

Fasten the 2735mm Light Flashing to the 2740mm Frame using four Torx-Head Screws. Back off the four Torx-Head Screws so that the Light Flashing is loose.

Connect one of the Splitter Cable ends to the Strip Light Cable Connector. Push the 2725mm Strip Light into the Light Flashing, tightening the Torx-Head Screws to lock the Strip Light into the Light Flashing (Figure 4.6).

Note: The smooth, translucent face of the Strip Light is the side that illuminates. Ensure this face is facing down/ outwards.

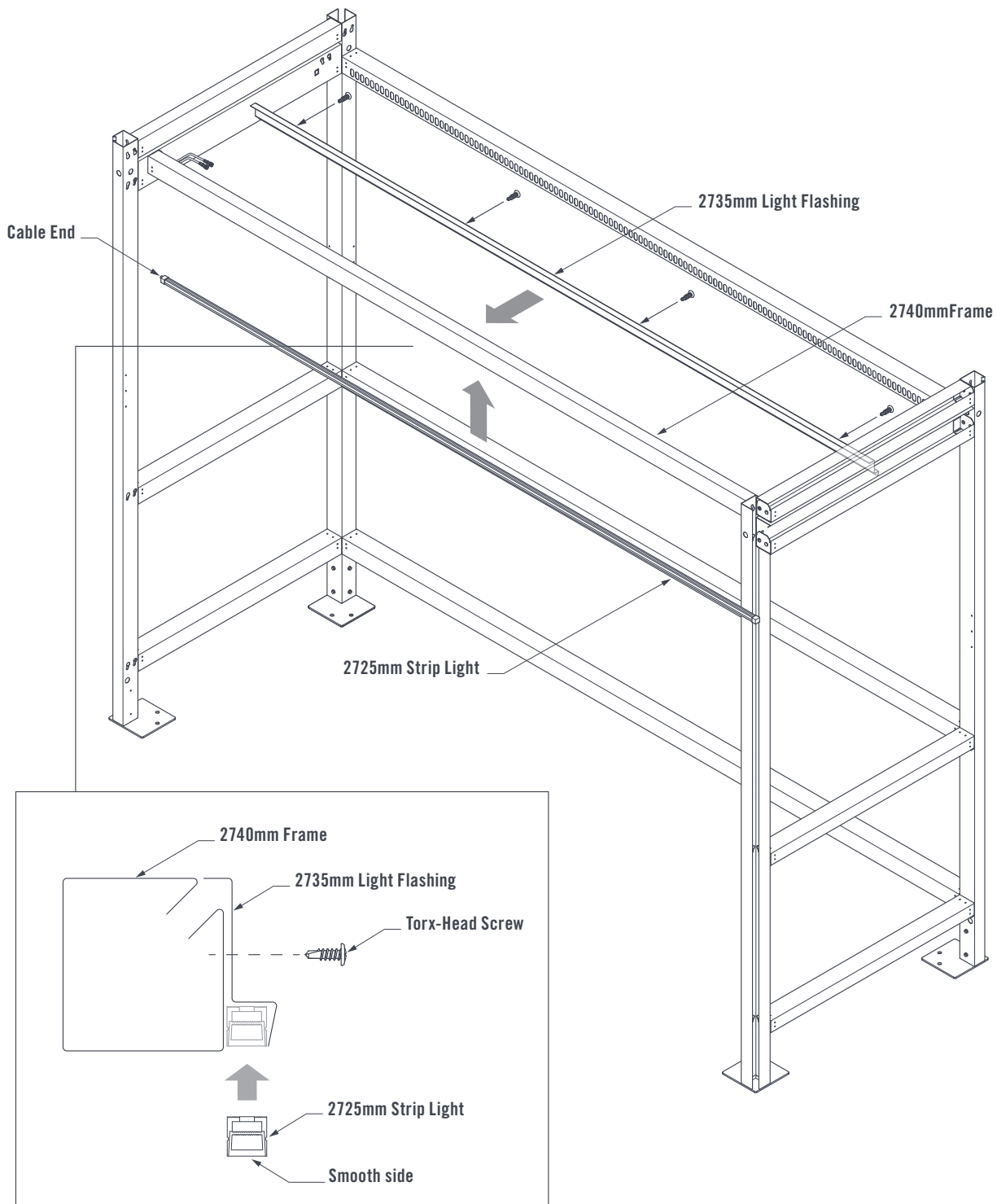


FIGURE 4.6

THE UMBRA® AWNING SHED INSTALLATION GUIDE

Fasten three Torx-Head Screws through the pilot holes of the Internal Strut Bracket and into the pilot holes of the 2920mm Frame (Figure 4.7).

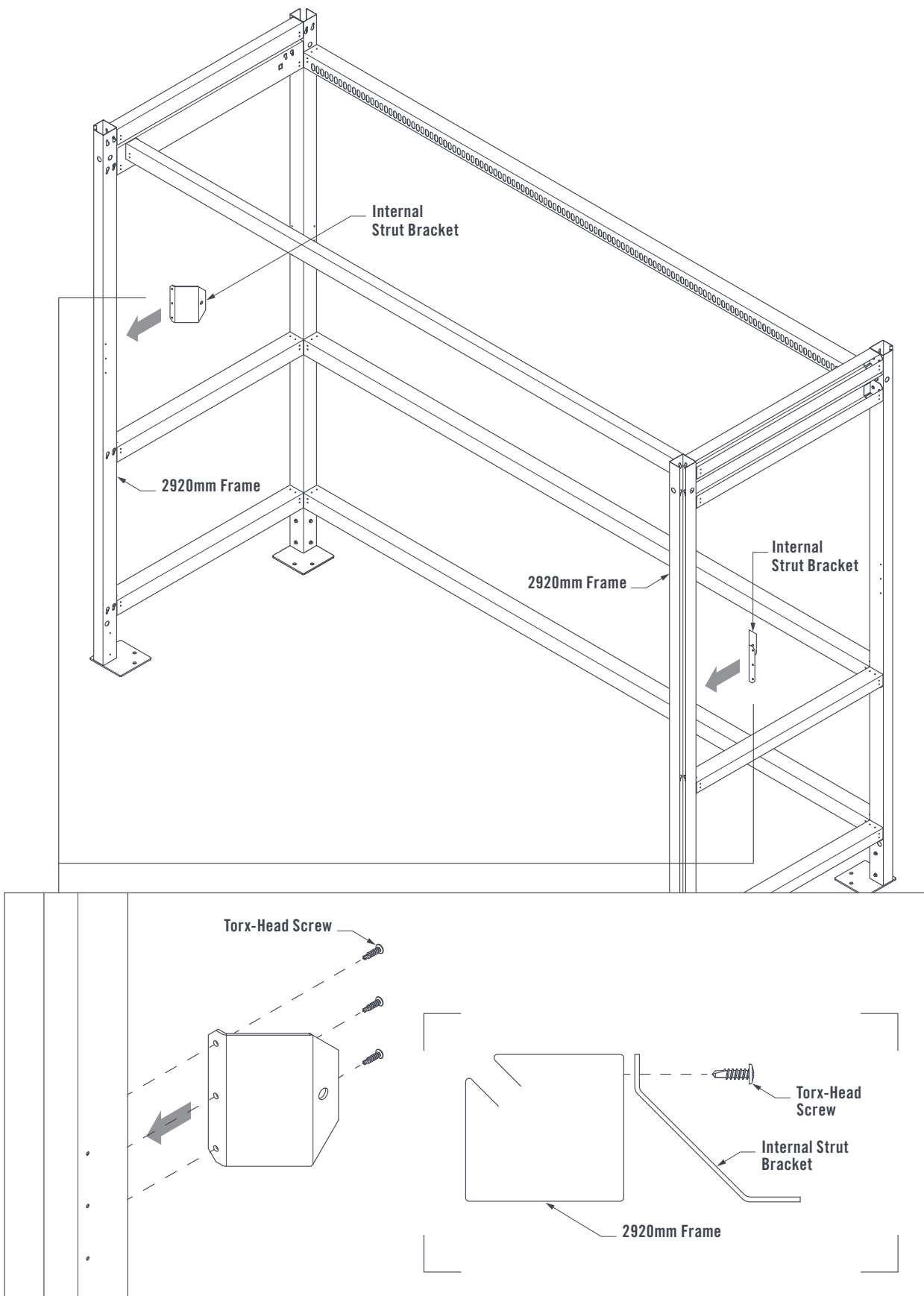


FIGURE 4.7

DOOR FRAME ASSEMBLY

Assemble two 2575mm Frames to the 2190mm Frames (Figure 5.0).

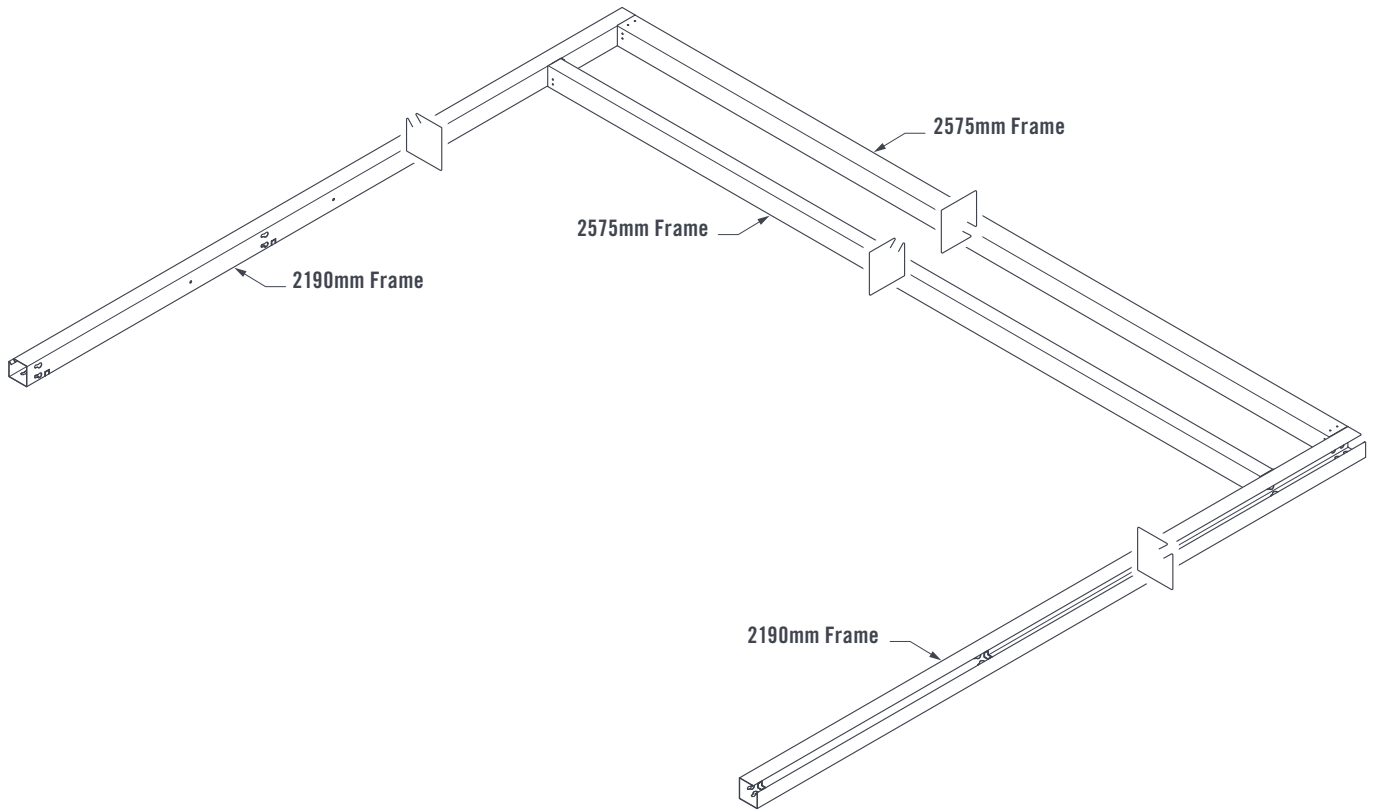


FIGURE 5.0

Assemble two more 2575mm Frames to the 2190mm Frames (Figure 5.1).

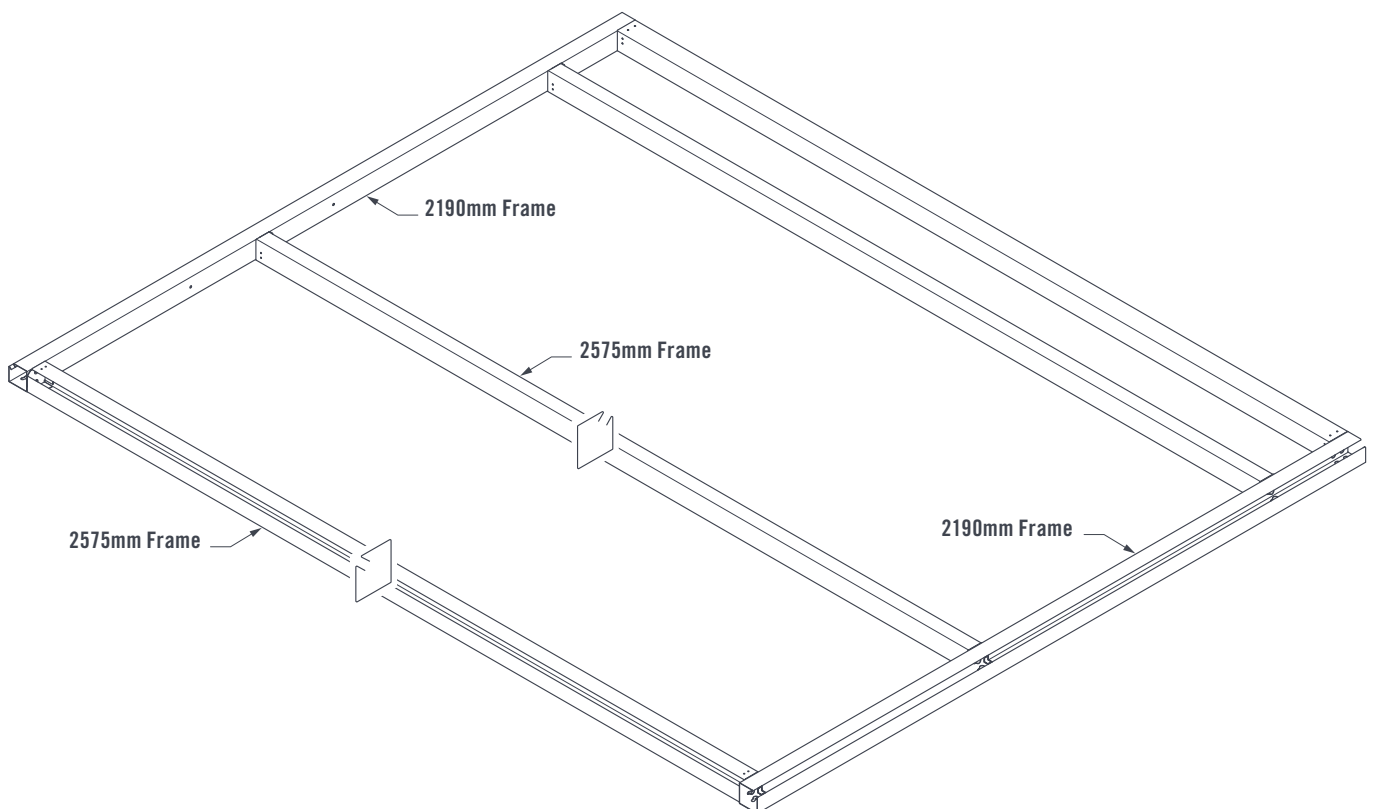


FIGURE 5.1

THE UMBRA® AWNING SHED INSTALLATION GUIDE

Fit the two Frame Braces into the 2190mm Frames. Ensure the Frame Brace is oriented correctly so that the 'Hole End' of the Frame Brace is inserted first. Ensure the End of the Frame Brace is in-line with the end of the 2190mm Frame.

Fasten the 2190mm Frames to the Frame Braces using four 12Gx20mm Plain Hex-Head Self-Drilling Screws through the pilot holes (Figure 5.2).

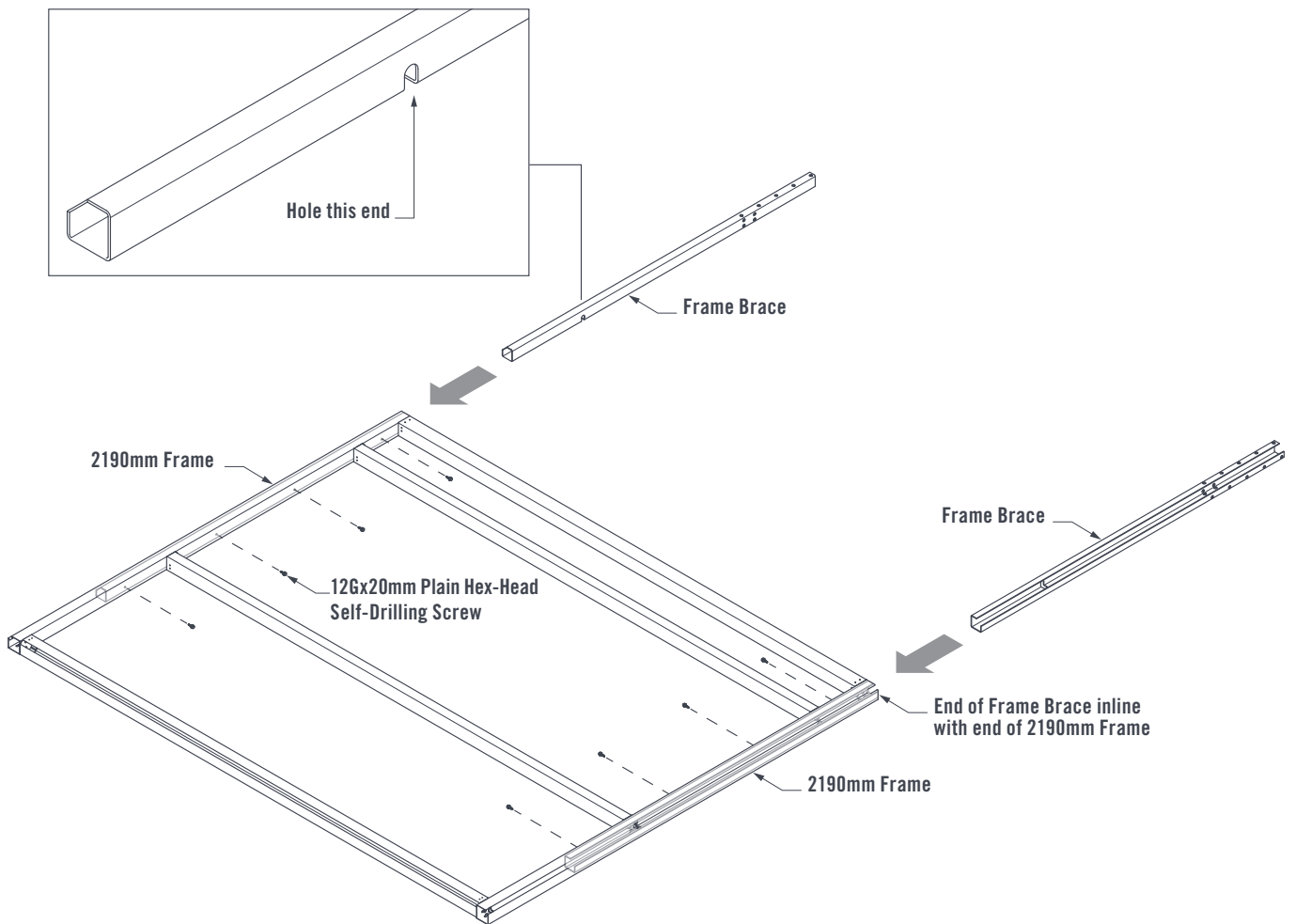


FIGURE 5.2

Follow this step if installing a Lighting Kit, otherwise skip this step. The Light Strip can be installed at the middle or end of the Door Frame.

Remove the Removable Tab from the 2190mm Frame. Fit the Extension Cable into the 2190mm Frame (Figure 5.3).

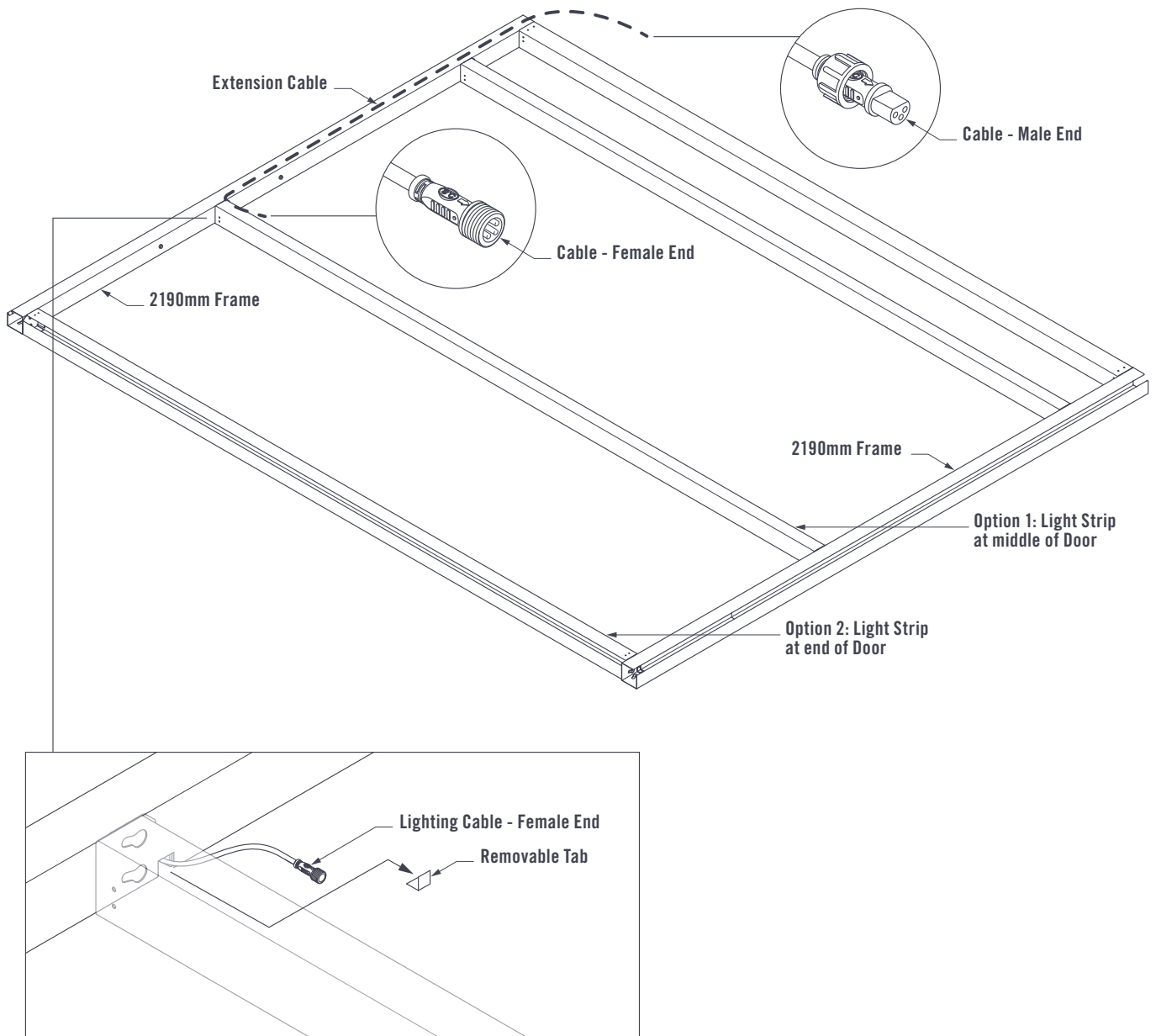


FIGURE 5.3

THE UMBRA® AWNING SHED INSTALLATION GUIDE

Before installing the Drip Flashing place the Frame Assembly on trestles or a work table.

Fit the Drip Flashing to the Frame Assembly ensuring that it is centred on the frame. Fasten the Drip Flashing to the Frame using four Torx-Head Screws.

If installing a Lighting Kit, use a Step Drill Bit to drill a 14mm hole in the cable end of the Drip Flashing. Feed the Cable through the hole (Figure 5.4).

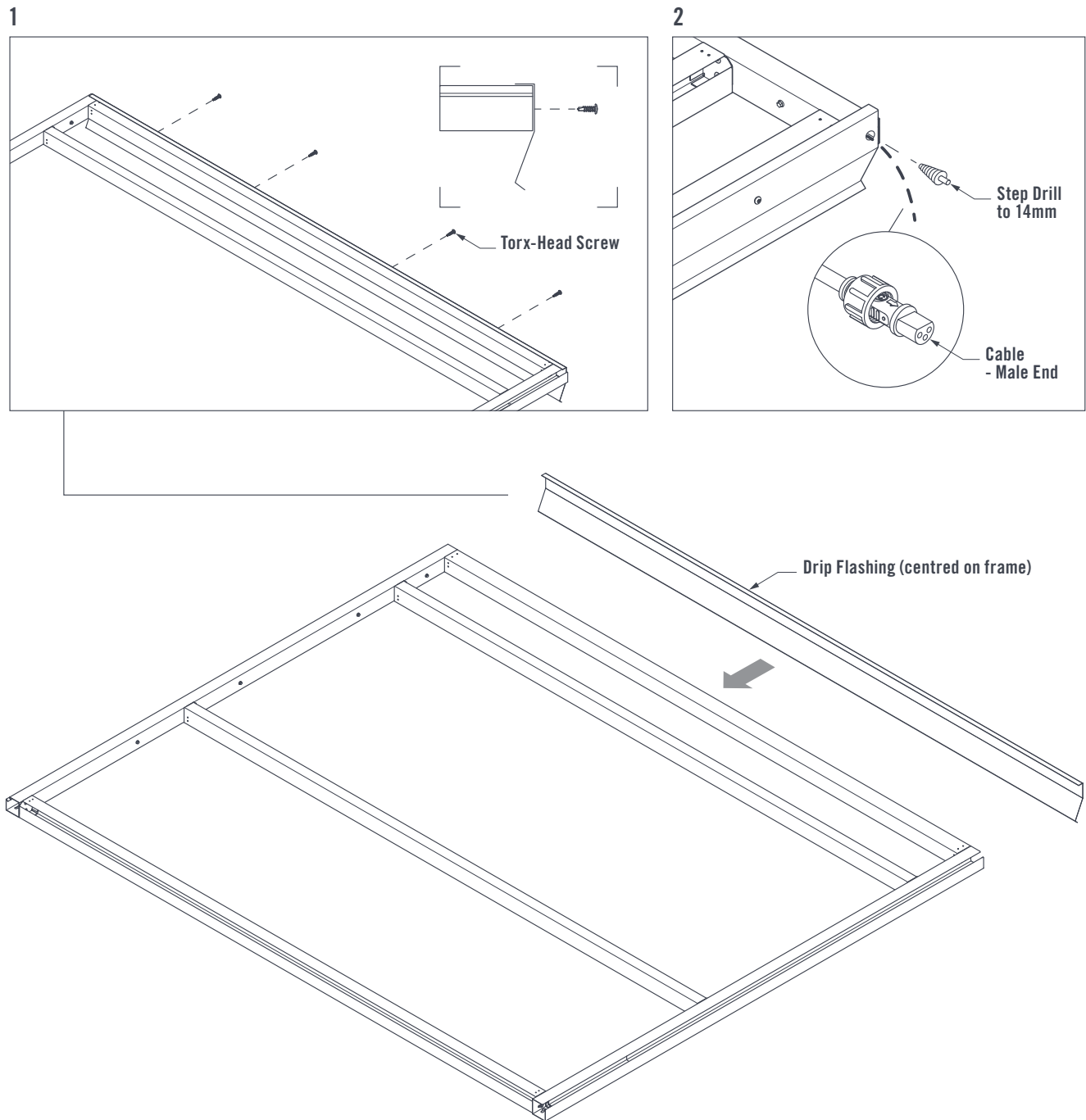


FIGURE 5.4

CLADDING/ SHEET ASSEMBLY

NOTE: Two people are required to ensure ease and accuracy of the Cladding/ Sheet Assembly.

Use a Set Square to ensure the Frame Assembly is square when fastening the Cladding to the Frame Assembly. Remove the plastic protective film and fit the Side Door Flashings onto the Door Frame Assembly. Fasten each Side Door Flashing to the Door Frame Assembly using two 10Gx16mm Hex-Head Self-Drilling Screws 45mm from each end (Figure 6.0).

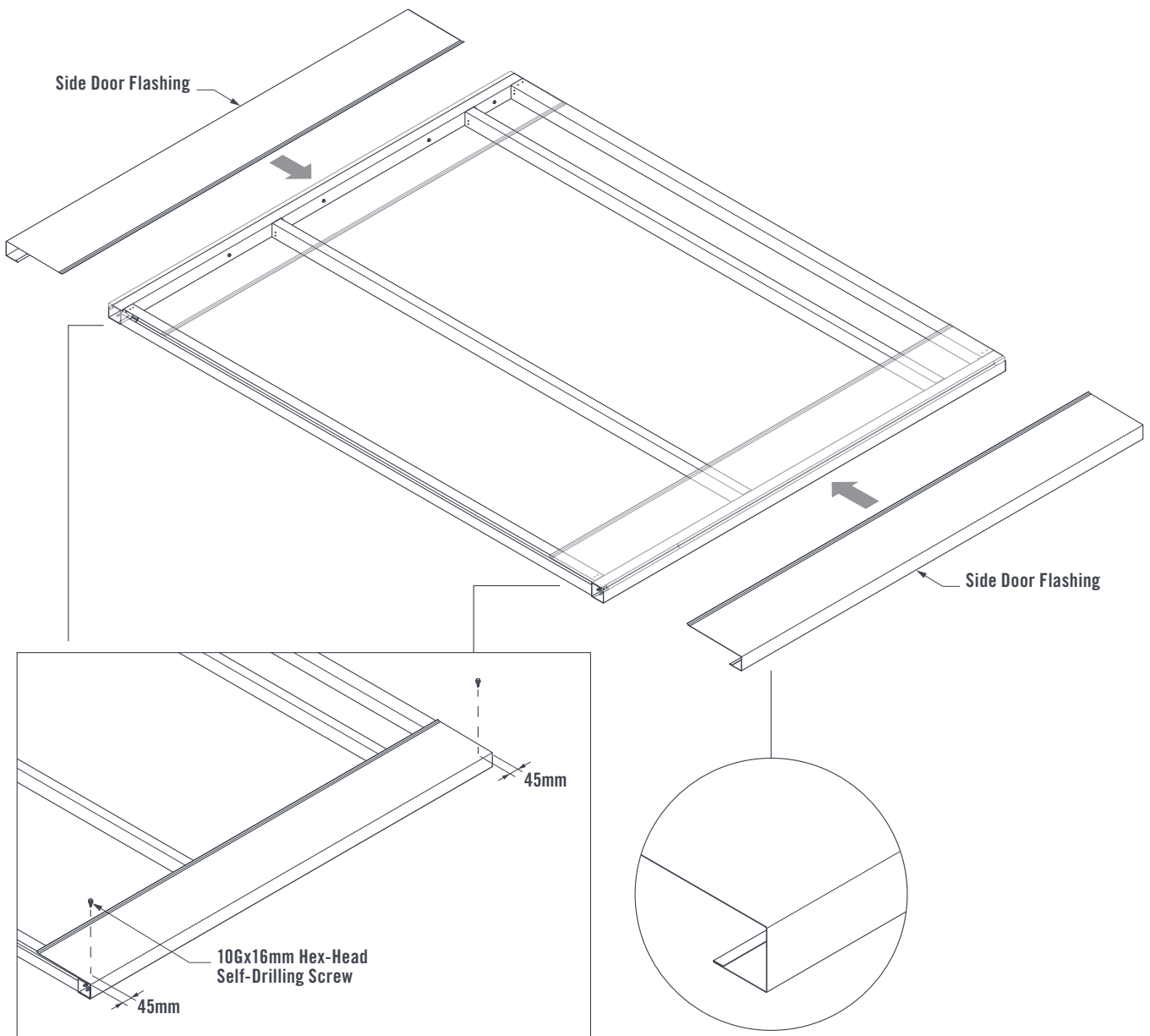


FIGURE 6.0

THE UMBRA® AWNING SHED INSTALLATION GUIDE

Trim 125mm from both Front Wall Flashings, as to ensure they don't interfere with the Frame (Figure 6.1). Fit both Front Wall Flashings to the Frame Assembly. Fasten both Front Wall Flashings to the Frame Assembly using six 10Gx16mm Hex-Head Self-Drilling Screws (Figure 6.1).

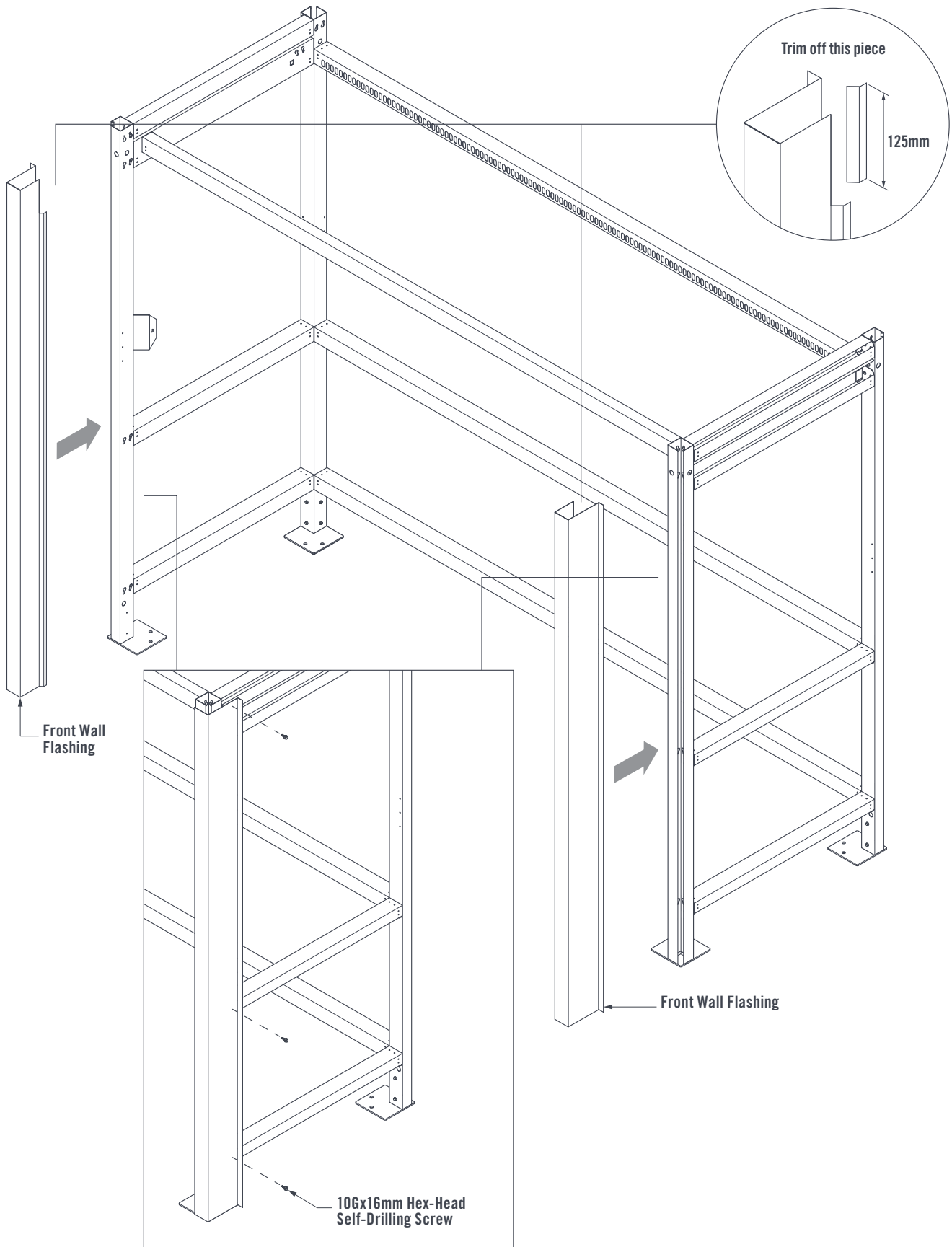


FIGURE 6.1

Trim 125mm x 80mm from both Corner Wall Flashings, as to ensure they don't interfere with the Roof Sheets later in the assembly (Figure 6.2). Fit both Corner Wall Flashings to the Frame Assembly. Fasten both Corner Wall Flashings to the Frame Assembly using six 10Gx16mm Hex-Head Self-Drilling Screws (Figure 6.2).

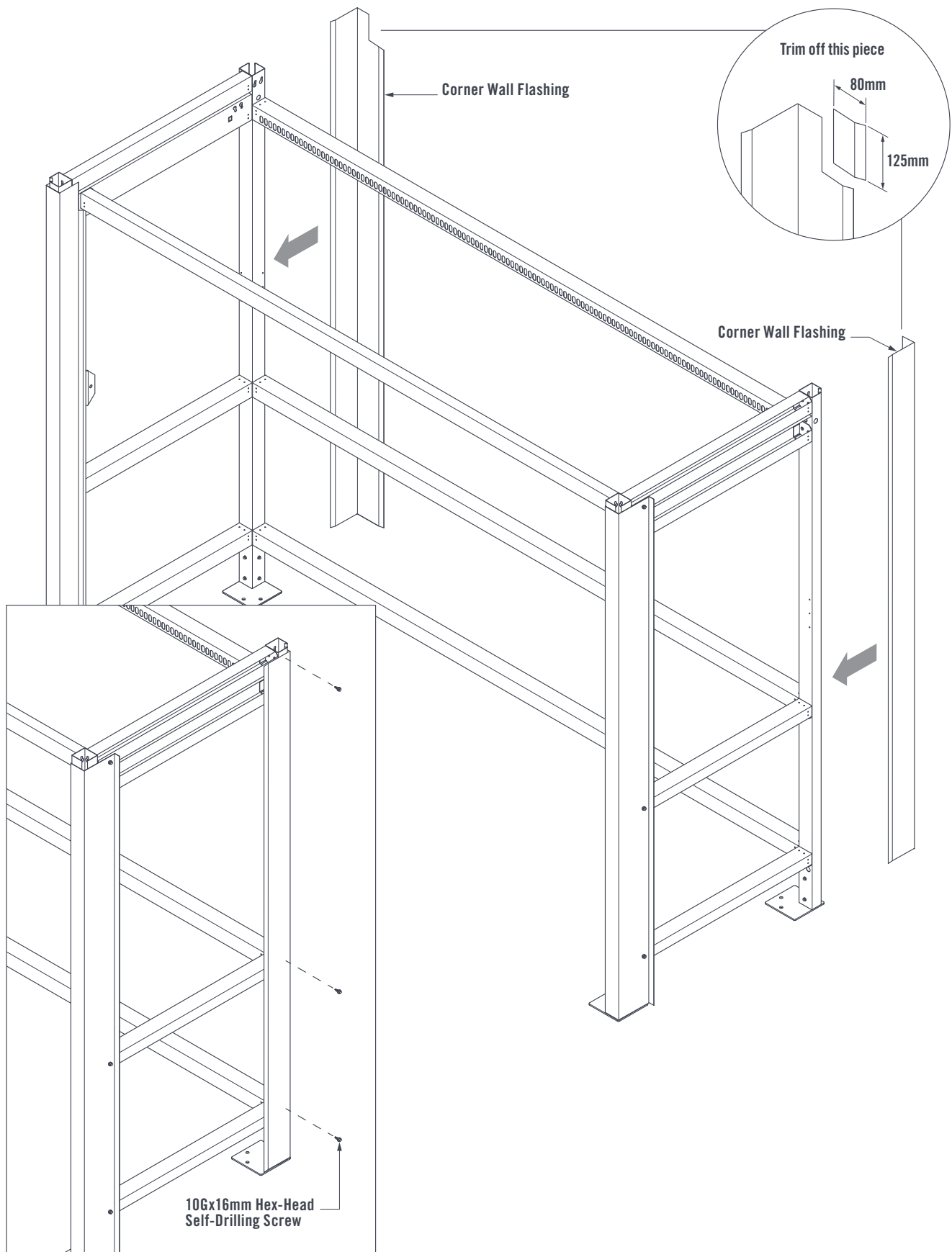
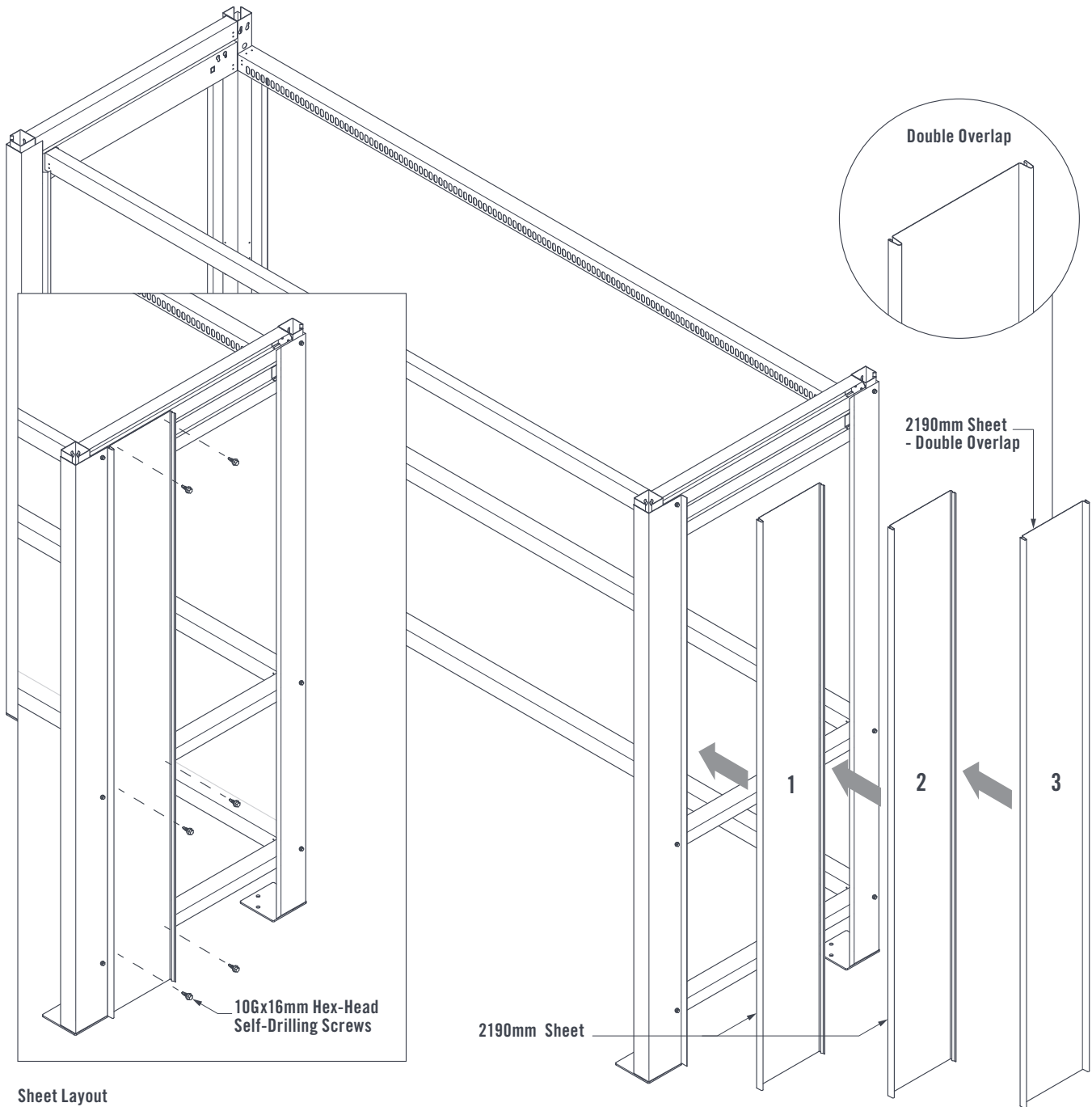


FIGURE 6.2

Installing the Sheets requires two people. Fit a 2190mm Sheet to the Front Wall Flashing and Frame. Ensuring the Frame is square, fasten the Sheet to the Frame using six 10Gx16mm Hex-Head Self-Drilling Screws. Fit another 2190mm Sheet and 2190mm Sheet - Double Overlap to the Frame and fasten in the same manner (Figure 6.3).



Sheet Layout

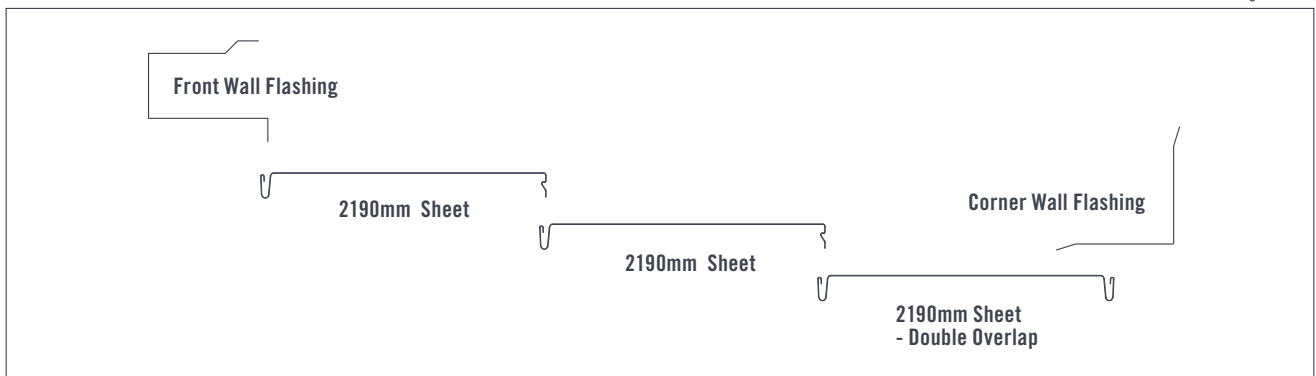
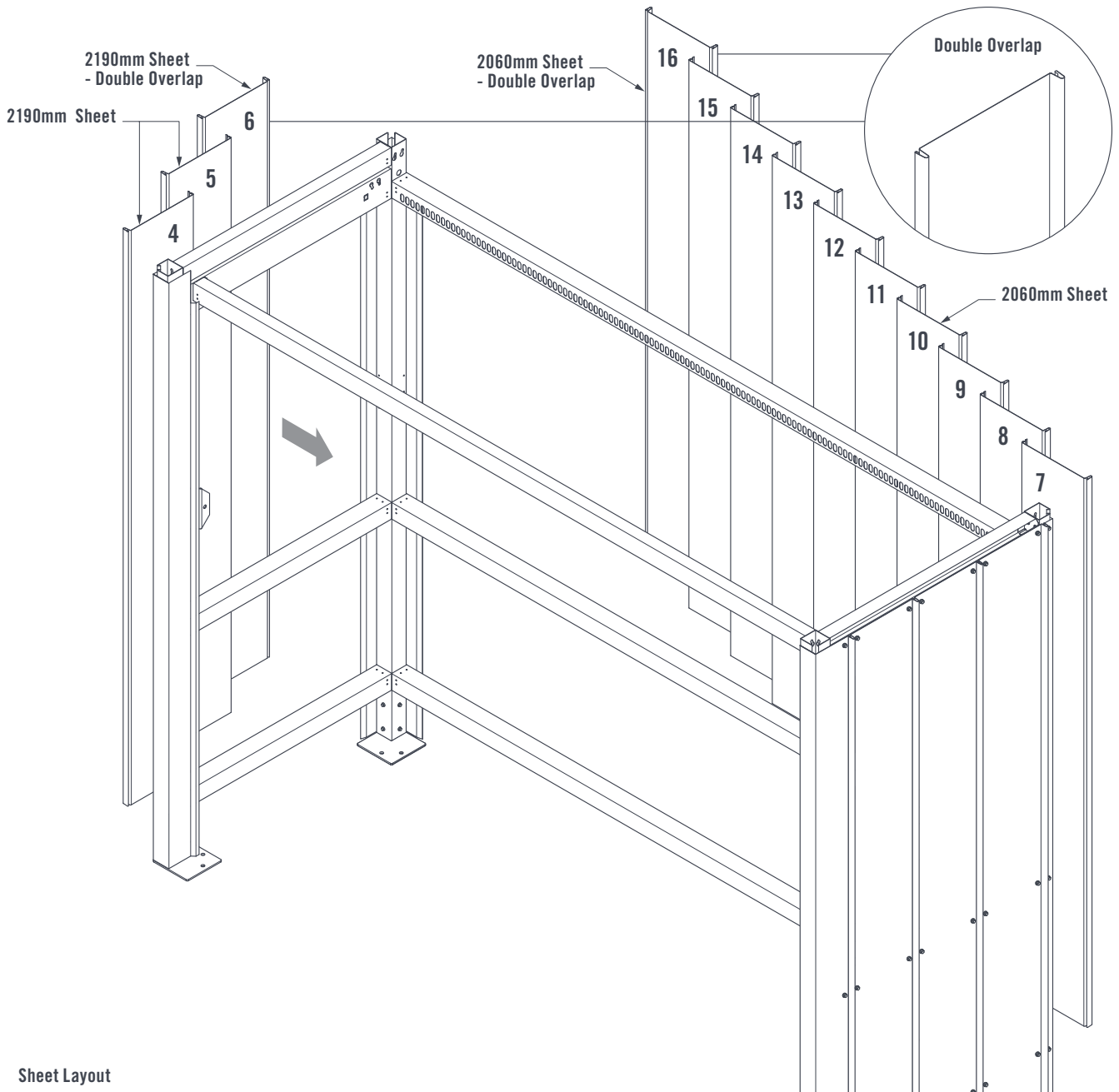


FIGURE 6.3

THE UMBRA® AWNING SHED INSTALLATION GUIDE

Ensuring the Frame is square, fasten the remaining Sheets in the order indicated below using six 10Gx16mm Hex-Head Self-Drilling Screws in each Sheet. Ensure the first 2060mm Sheet is approximately 40mm from the edge of the Corner Wall Flashing (Figure 6.4).



Sheet Layout

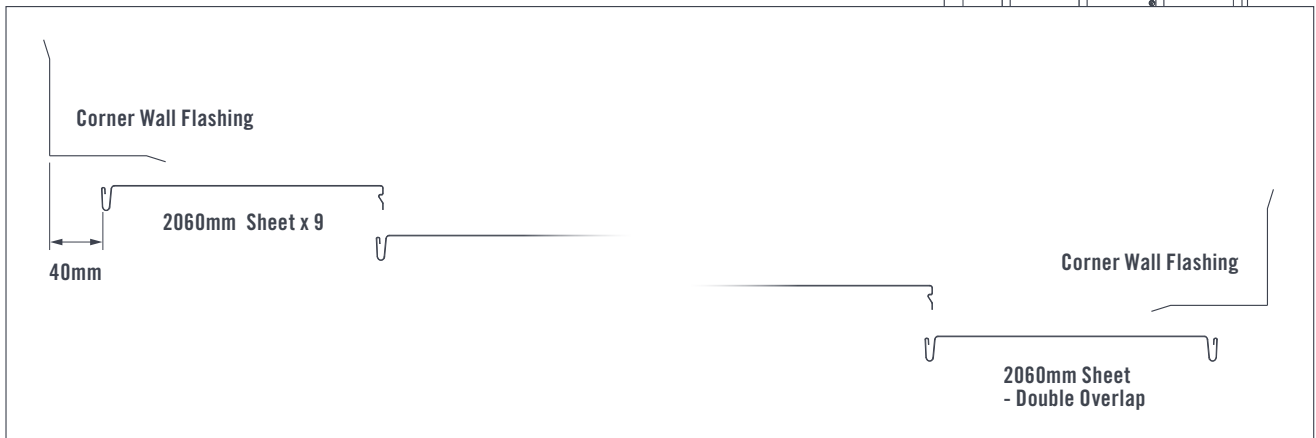


FIGURE 6.4

Before installing the Roof Sheets, turn-up each Roof Sheet 15mm along the front edge to prevent water ingress. Trim 30mm diagonally from the overlap on each sheet so the turn-up does not interfere when lapping sheets.

Position the Roof Flashings and Roof Sheets on the Frame Assembly (Figure 6.5).

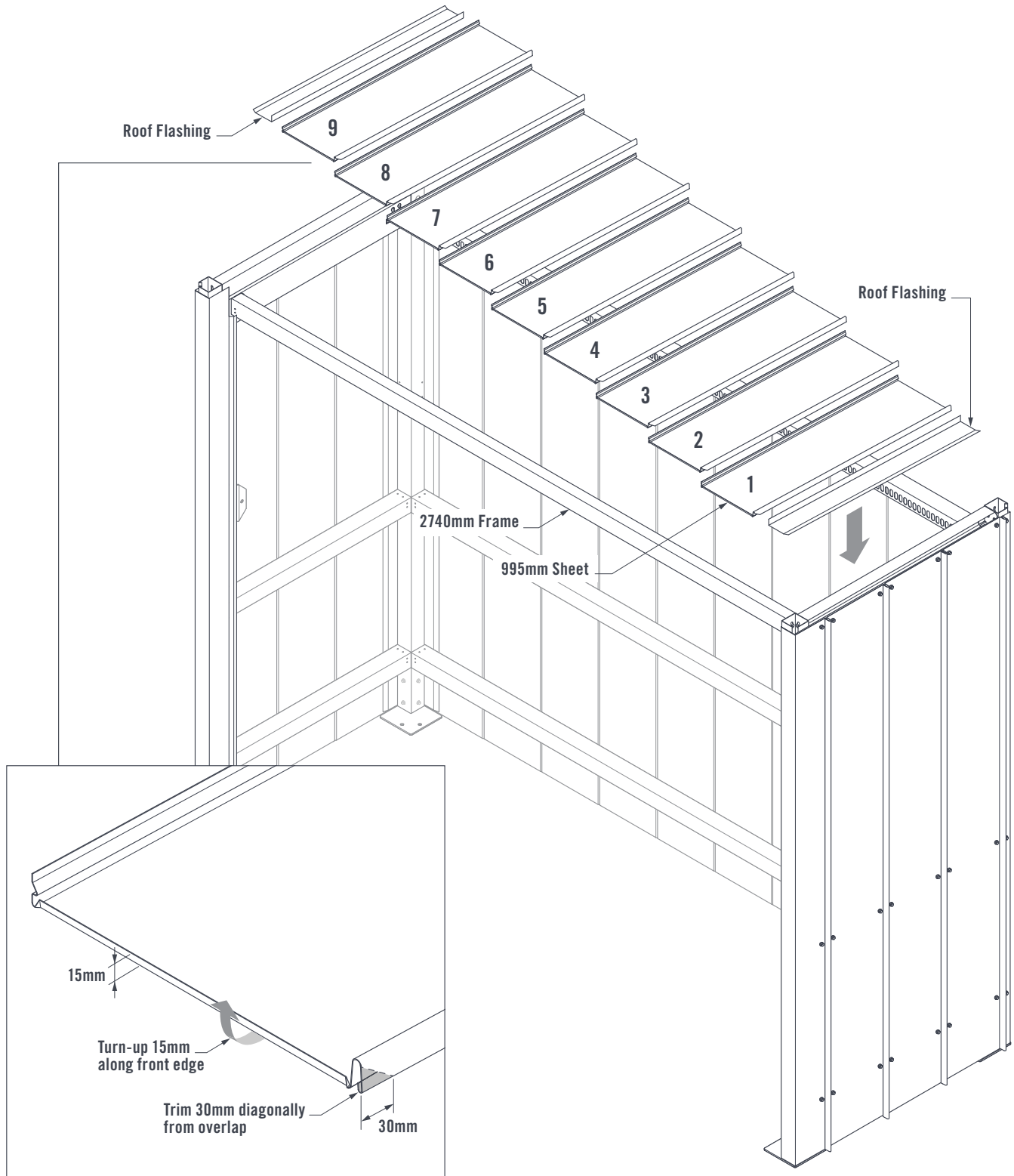


FIGURE 6.5

THE UMBRA® AWNING SHED INSTALLATION GUIDE

Fit the End Roof Sheets over the Frame and Roof Flashings.

Ensuring the Frame is square, fasten the Sheets to the Frame using four 10Gx16mm Hex-Head Self-Drilling Screws with Neoprene Washers in each Sheet (Figure 6.6).

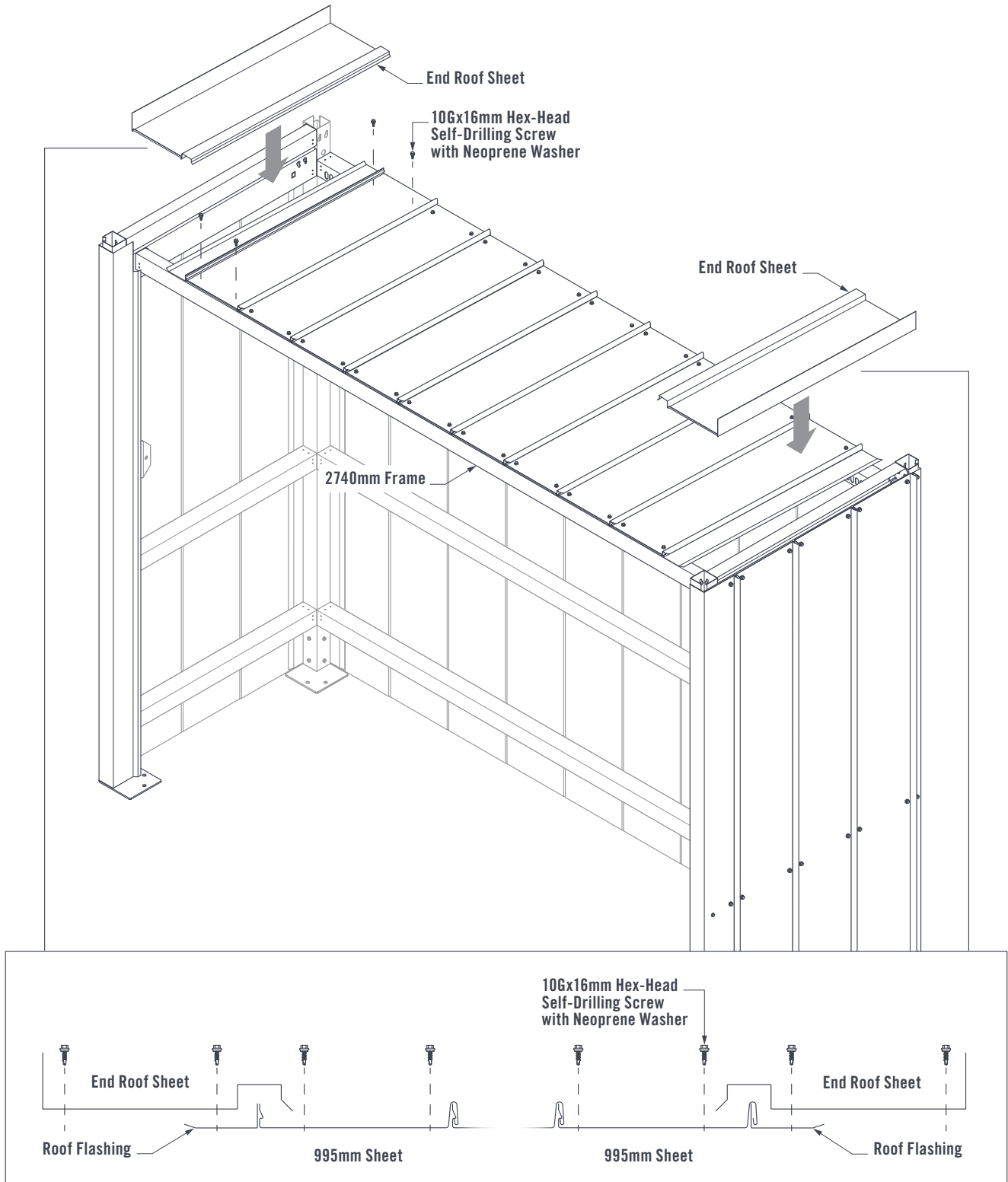


FIGURE 6.6

BARGE FLASHINGS

Fit the two Side Barge Flashings to the Unit so that they are flush with the Front Wall Flashings. Fit the End Caps into the Side Barge Flashings. Fasten the End Caps to the Side Barge Flashings using two 10Gx16mm Hex-Head Self-Drilling Screws with Neoprene Washers (Figure 7.0). The Side Barge Flashings are fixed to the Unit when the Hinges are installed in Figure 9.4.

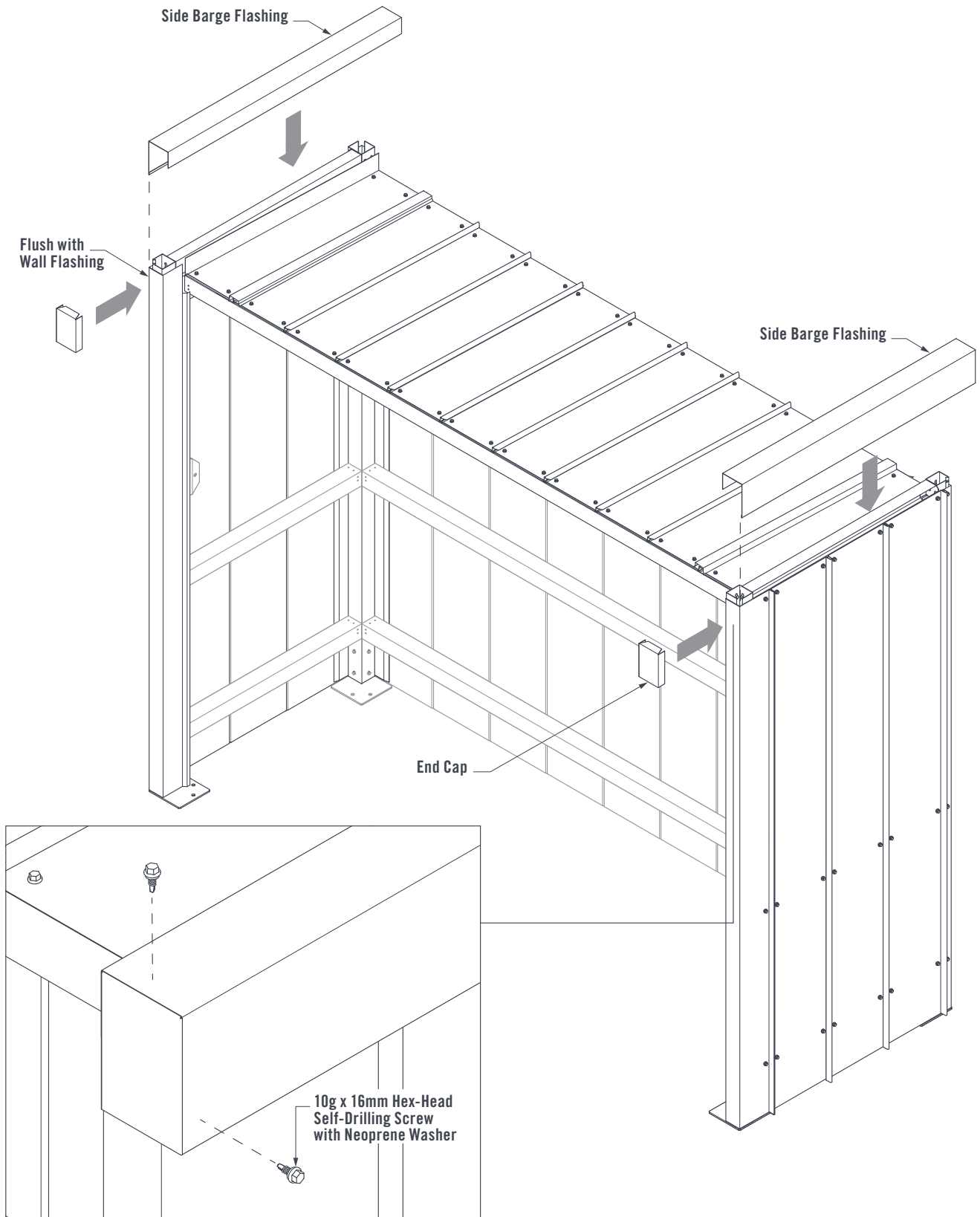


FIGURE 7.0

Trim 65mm x 15mm from both ends of the Front Barge Flashing. To prevent water ingress in extreme weather conditions, apply a bead of silicone where the Front Barge Flashing meets the Side Barge Flashings. Fit the Front Barge Flashing over the Frame and Roof Sheets (Figure 7.1).

Ground Fixing Option 1 only (Footings): Fasten the Front Sheets to the Footings using two 12Gx35mm Coloured Hex-Head Self-Drilling Screws (Figure 7.1).

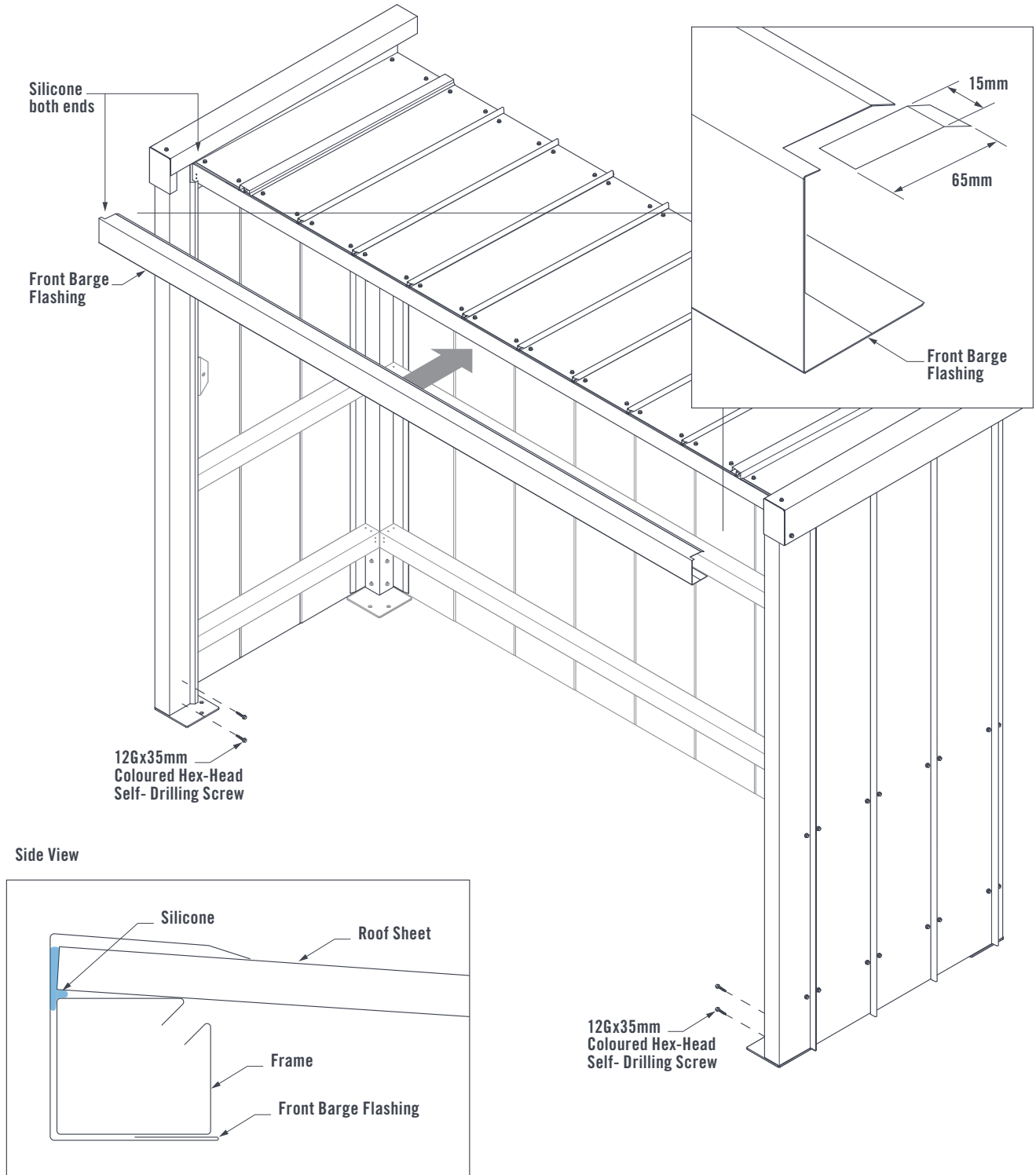


FIGURE 7.1

GUTTER ASSEMBLY

- 1) Cut a 90mm x 50mm hole in the Gutter. The hole will fit the Downpipe Outlet and can be cut in either Gutter end.
- 2) Fit the Downpipe Outlet into the Gutter hole. Using the holes in the Downpipe Outlet as a guide, drill four 3.5mm holes into the Gutter. Fasten four Rivets through the holes of the Gutter and into the Downpipe Outlet. Apply silicone to the gaps along the Stop Ends and Downpipe Outlet (Figure 8.0).

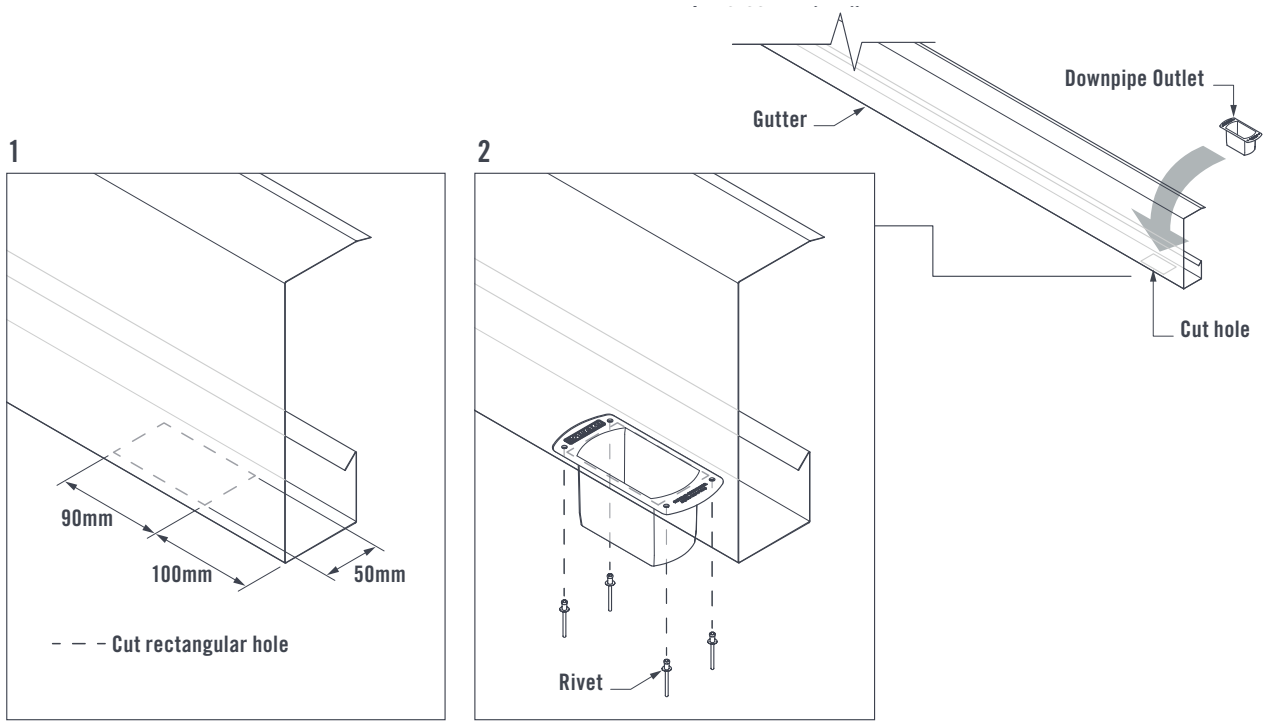


FIGURE 8.0

Trim 60mm from the tab at each end of the Gutter to allow the Stop End to fit. Place a Stop End into each Gutter end. Drill six 3.5mm holes through the Gutter and into each Stop End. Fasten the Stop Ends to the Gutter using 6x rivets at each end (Figure 8.1).

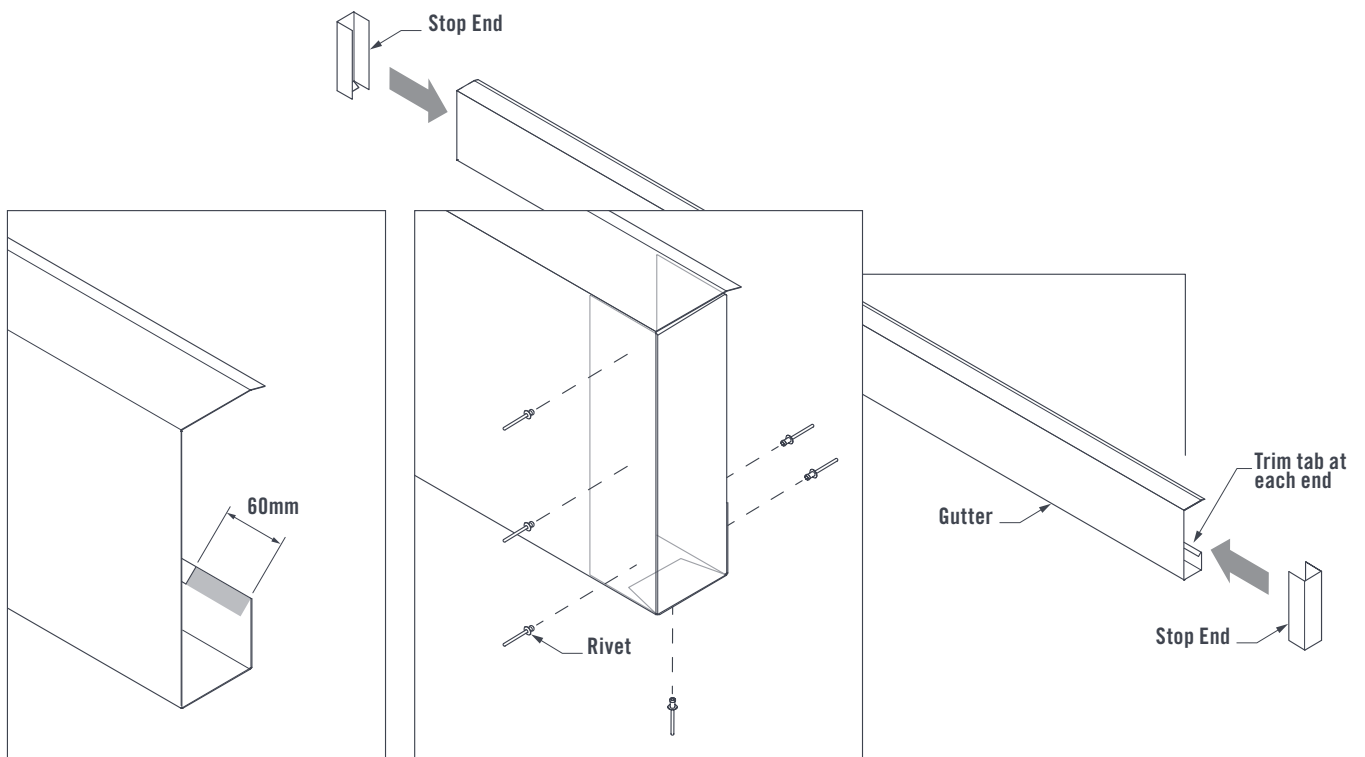


FIGURE 8.1

1) Fit the Gutter onto the Side Barge Flashings. Fasten the Gutter to the Side Barge Flashings using two 10Gx16mm Hex-Head Self-Drilling Screws with Neoprene Washers at each end.

2) Fasten the Downpipe Strap and Spacer through the Sheet and into the Frame 220mm from the bottom edge of the Sheet with a 12Gx35mm Coloured Hex-Head Self-Drilling Screw (Figure 8.2).

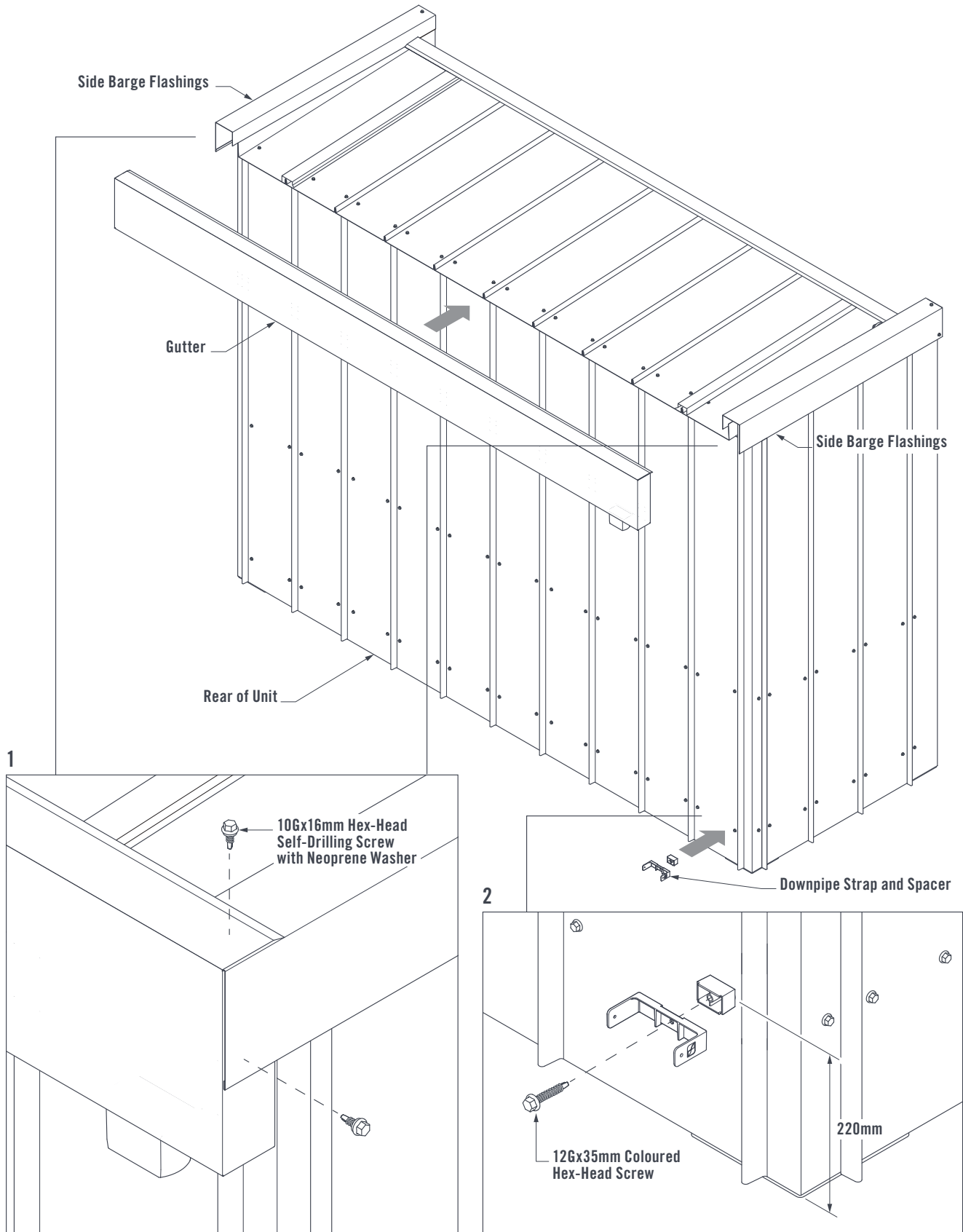


FIGURE 8.2

THE UMBRA® AWNING SHED INSTALLATION GUIDE

- 1) Downpipes are supplied at 3000mm lengths. Cut back the downpipe to the desired length (Approx. 1900mm). Fit the Downpipe over the Downpipe Outlet. Drill two 3.5mm holes through the Downpipe and into the Downpipe Outlet. Fasten the Downpipe to the Downpipe Outlet using two Rivets through the 3.5mm holes.
- 2) Fasten the Downpipe to the Downpipe Strap using two 10Gx16mm Hex-Head Self-Drilling Screws (Figure 8.3).

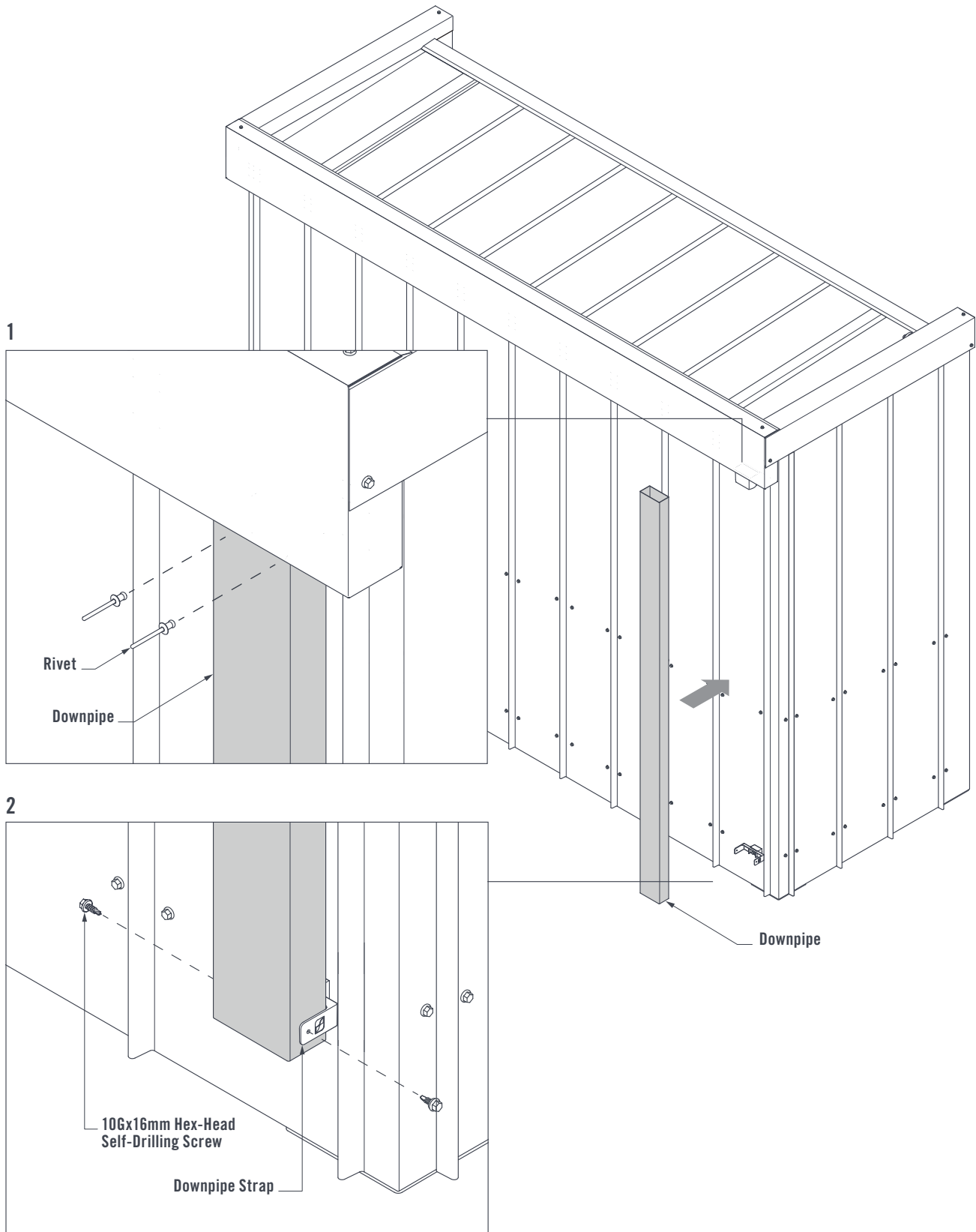


FIGURE 8.3

DOOR ASSEMBLY

Note: It is recommended to position the Door onto Trestles or a Work Table to assist in assembling components and gain access to the underside of the Door.

Remove the Lock Clips (1), Lock Pin (2) and Screw Covers (3). Reinstall the Lock Clips (4). Fit the two Door Locks onto the Door Assembly. Ensure the Door Locks are in-line with the 2575mm Frame and 10mm from the edge. Fasten the Door Locks to the Door Assembly using two Torx-Head Screws (5). Reinstall the Lock Pin (6) and Screw Cover (7) (Figure 9.0).

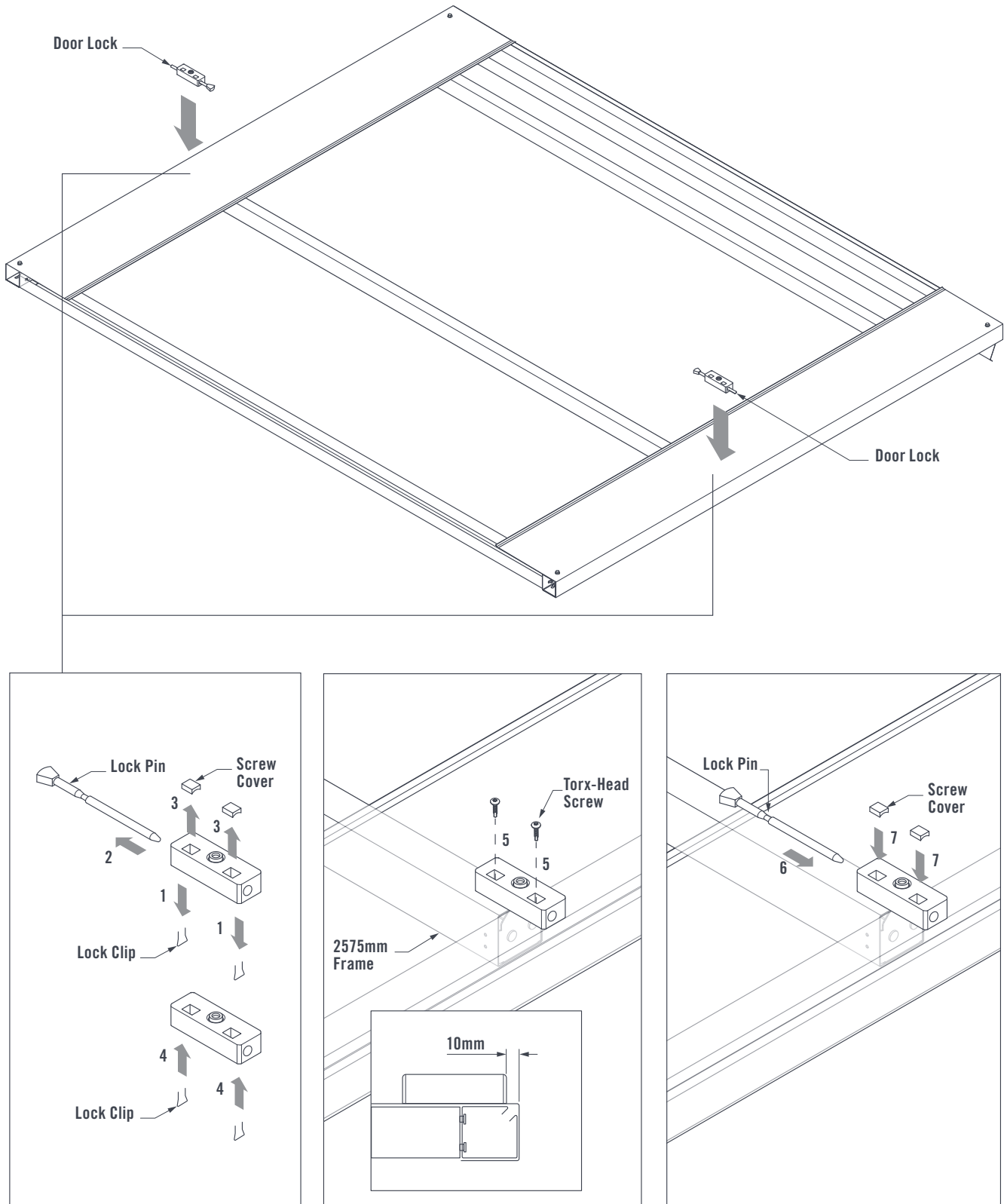


FIGURE 9.0

THE UMBRA® AWNING SHED INSTALLATION GUIDE

Fit the LH and RH Strut Brackets to the Door Frame Assembly. Fasten the Strut Brackets to the Frame using four Torx-Head Screws through the pilot holes provided in the top leg of the bracket (1), then use four Torx-Head Screws through the pilot holes in the side of the Bracket (2) (Figure 9.1).

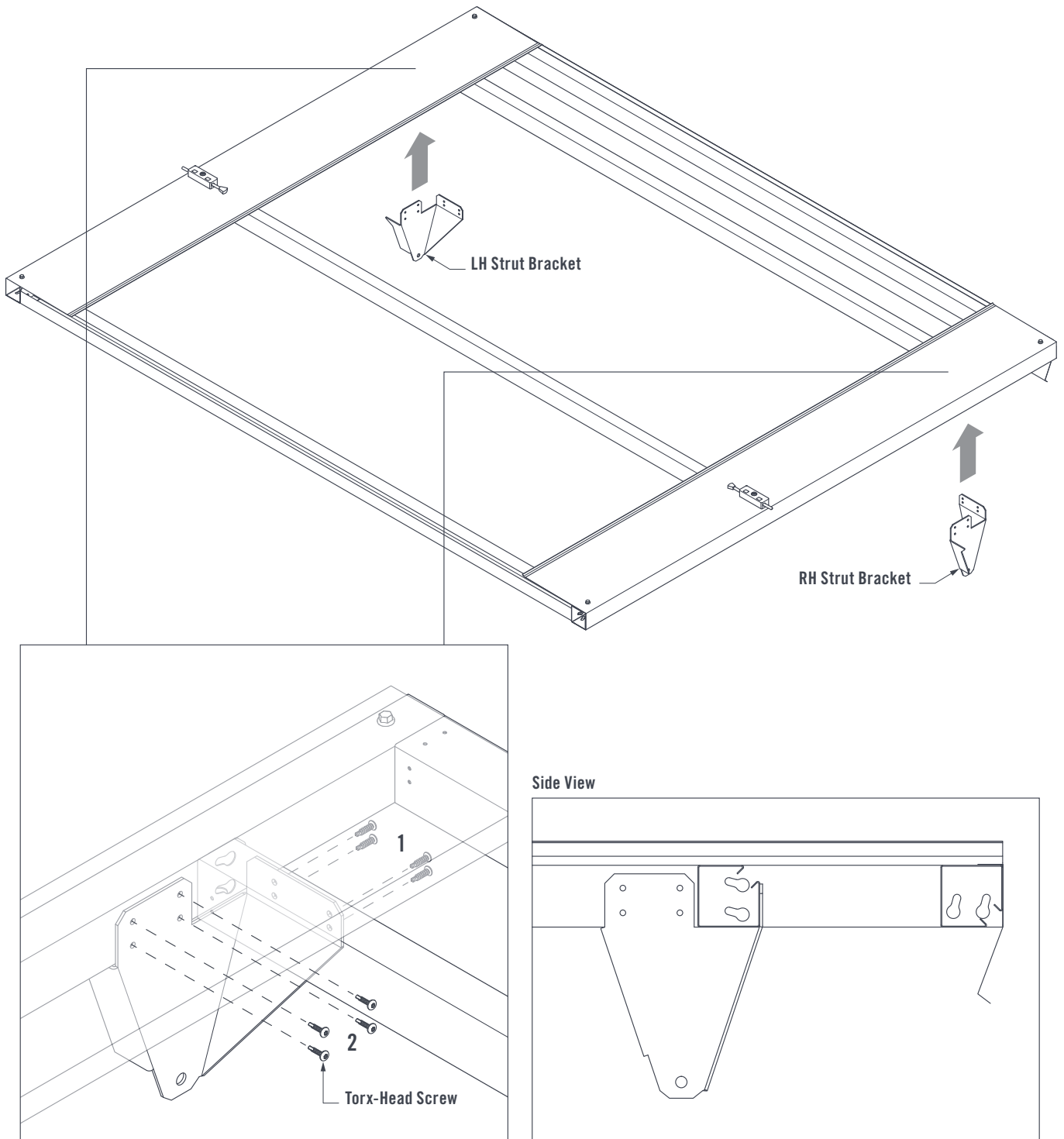


FIGURE 9.1

Fit the LH and RH Door Hinge Brackets to the Door Assembly. Ensure the holes of the Strut Bracket and Door Hinge Bracket are aligned. Fasten the Door Hinge Brackets to the Frame using only ten Torx-Head Screws through the pilot holes on the side of the Bracket (Figure 9.2).

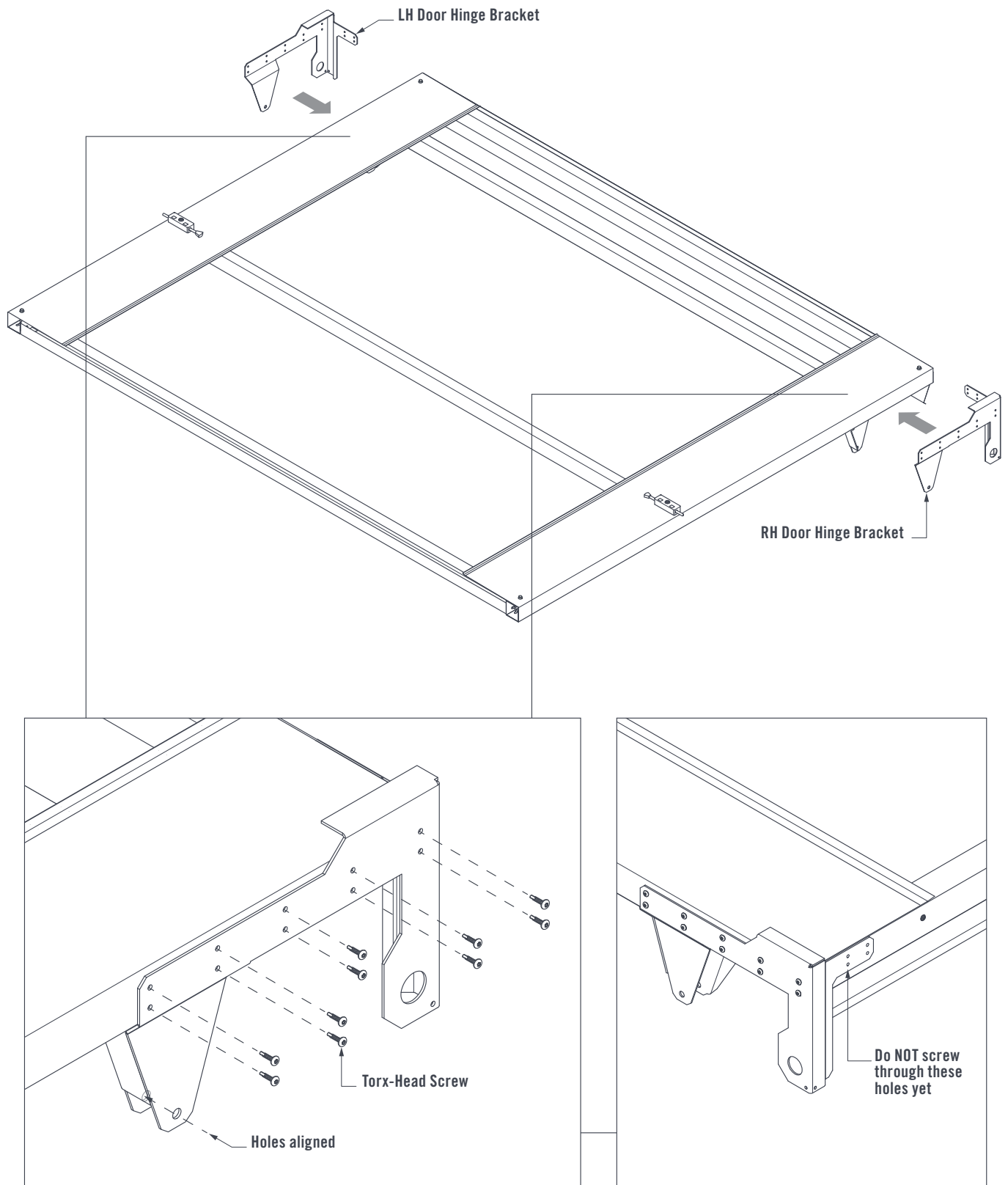


FIGURE 9.2

THE UMBRA® AWNING SHED INSTALLATION GUIDE

Fit the Struts to the Strut Brackets and Door Hinge Brackets. Ensure a 14mm Spacer is positioned either side of the Strut Eyelet and an M10 Washer is positioned on the outside of the Brackets. Fit the Shoulder Bolt through the Washers, Brackets, Spacers and Strut Eyelet. Fasten the M8 Nut to the Shoulder Bolt (Figure 9.3).

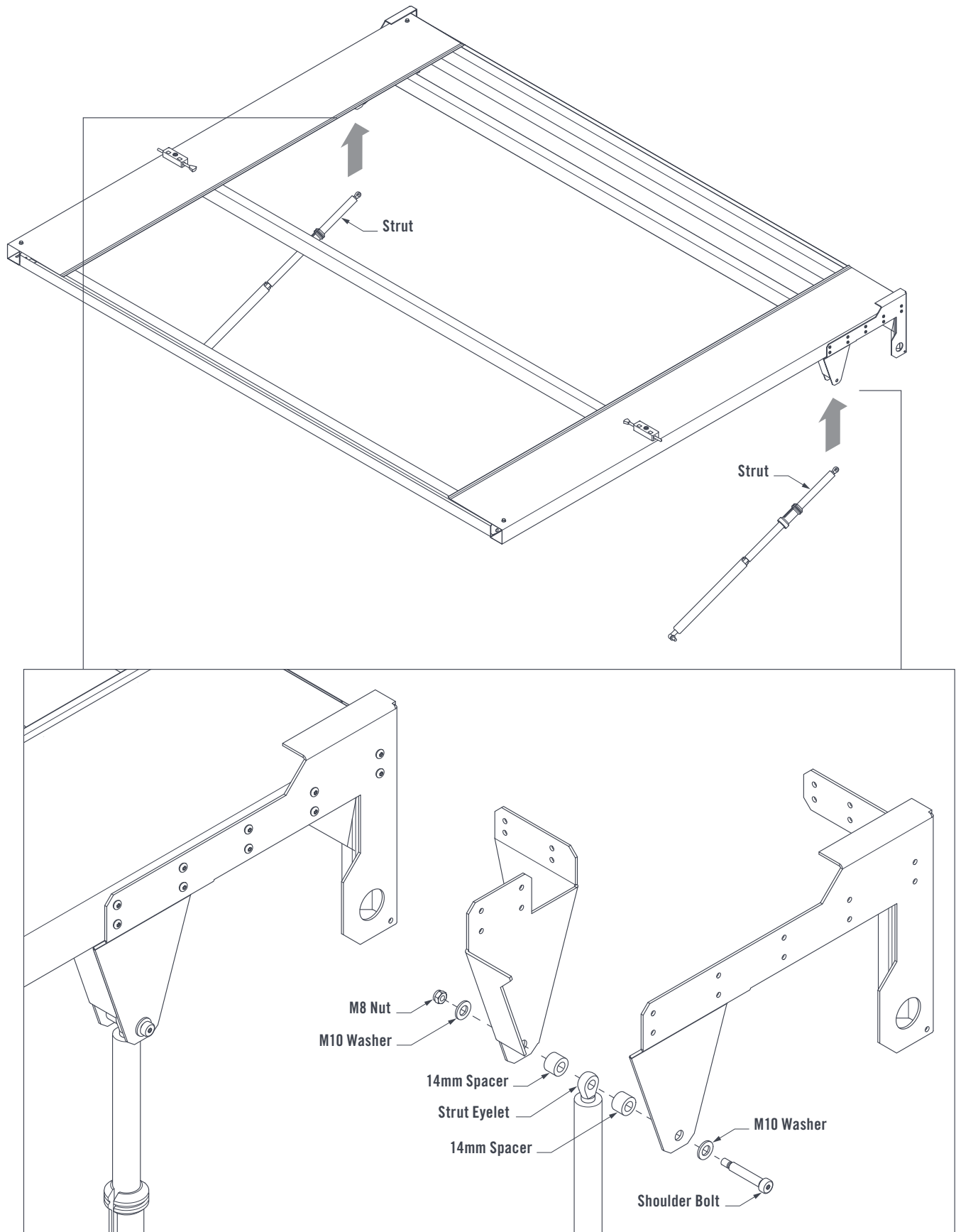


FIGURE 9.3

1) Fit an Internal Hinge Bushing into the LH and RH Wall Hinge Brackets. 2) Fit the Wall Hinge Brackets to the Unit. Fasten the Wall Hinge Brackets to the Frame Assembly using eighteen Torx-Head Screws through the pilot holes. Fit an External Hinge Bushing onto both Internal Hinge Bushings (Figure 9.4).

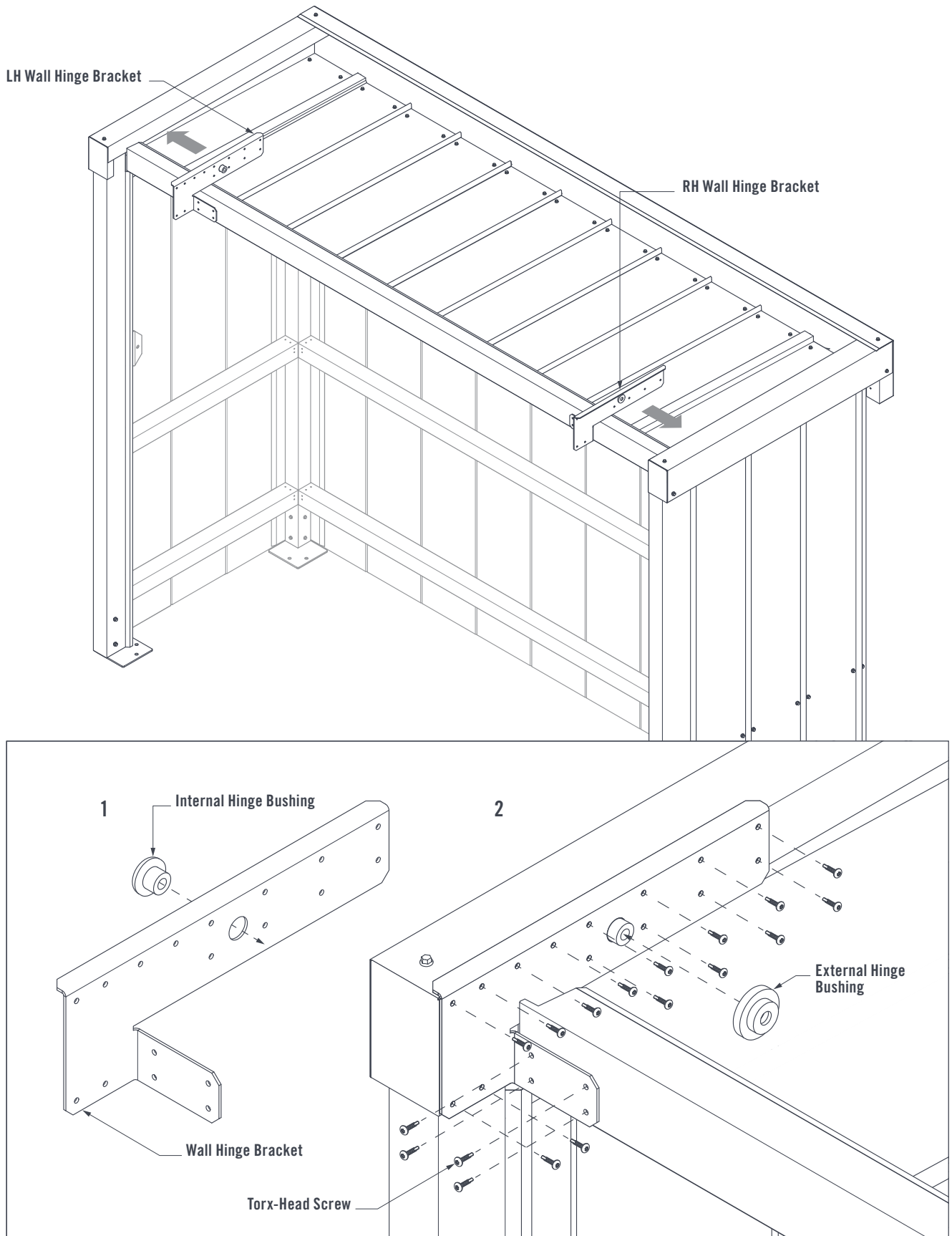


FIGURE 9.4

THE UMBRA® AWNING SHED INSTALLATION GUIDE

Fit two Lower Strut Brackets to the Front Wall Flashings. Ensure the pilot holes of the Lower Strut Bracket and Internal Strut Bracket are in-line. Fasten the Lower Strut Brackets to the Front Wall Flashings using ten Torx-Head Screws through the pilot holes (Figure 9.5).

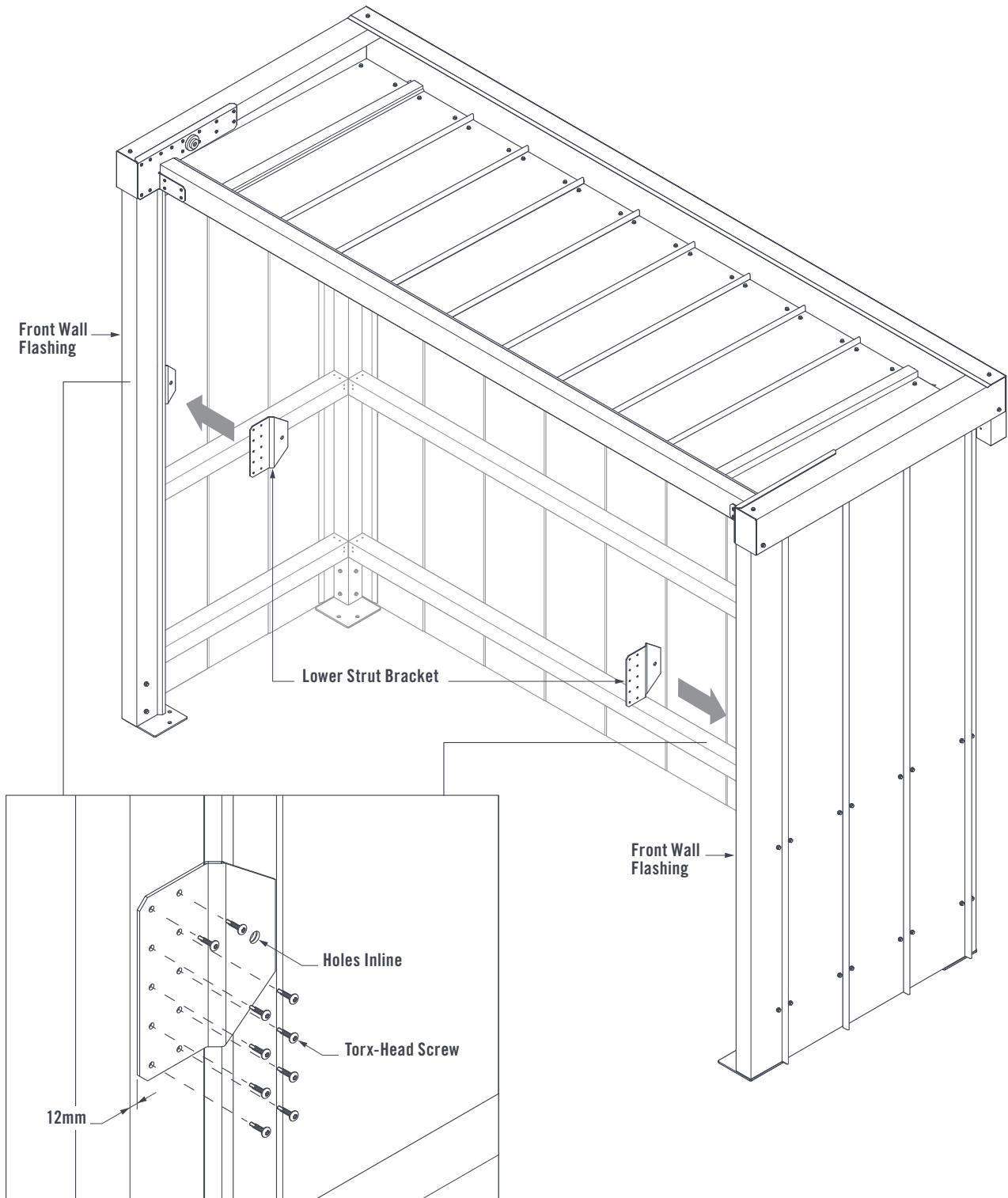


FIGURE 9.5

DOOR HANGING

Warning: If ground fixing with Option 1 (Masonry Anchors) the Shed must be fixed to the concrete slab as per Figure 2.3 before continuing as to prevent the Shed from toppling over.

Note: The Door Assembly weighs 57kg and may require three people to safely lift into position.

Position the Door on the Main Assembly being careful not to damage the Front Barge Flashing. The Hinge Brackets are positioned over the Front Barge Flashing (Figure 10.0).

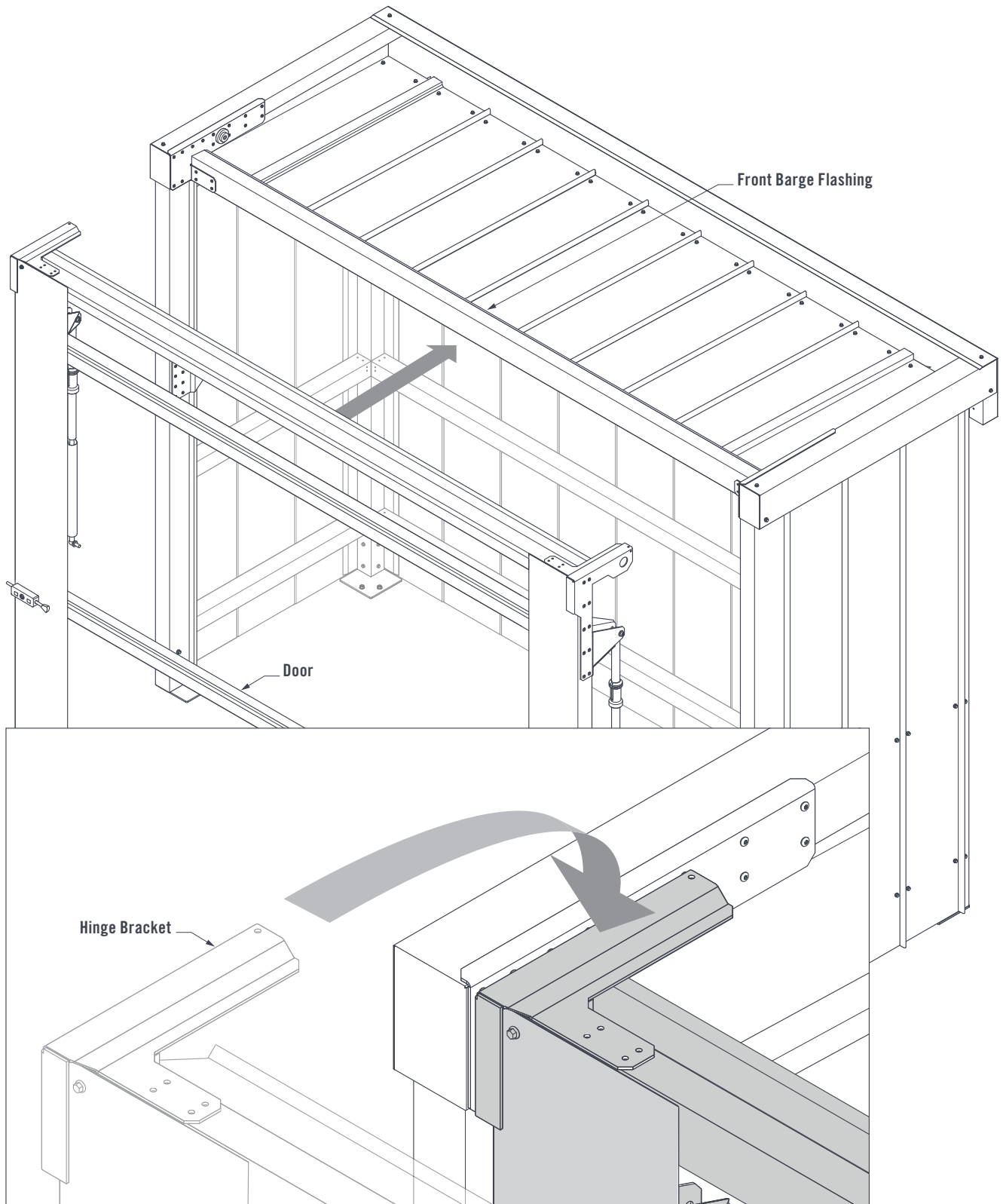


FIGURE 10.0

THE UMBRA® AWNING SHED INSTALLATION GUIDE

Use a large flathead screwdriver to position the Hinge Bracket Hole in the Hinge Bracket over the first External Hinge Bushing at both ends. Fit an External Hinge Bushing over the External Hinge Bushing. Ensure the Bushings and Brackets are assembled in the correct manner. Fasten with an M12 Bolt through the Bushings on both sides. Double check both M12 Bolts are as tight as reasonably possible using a correct size Spanner (Figure 10.1).

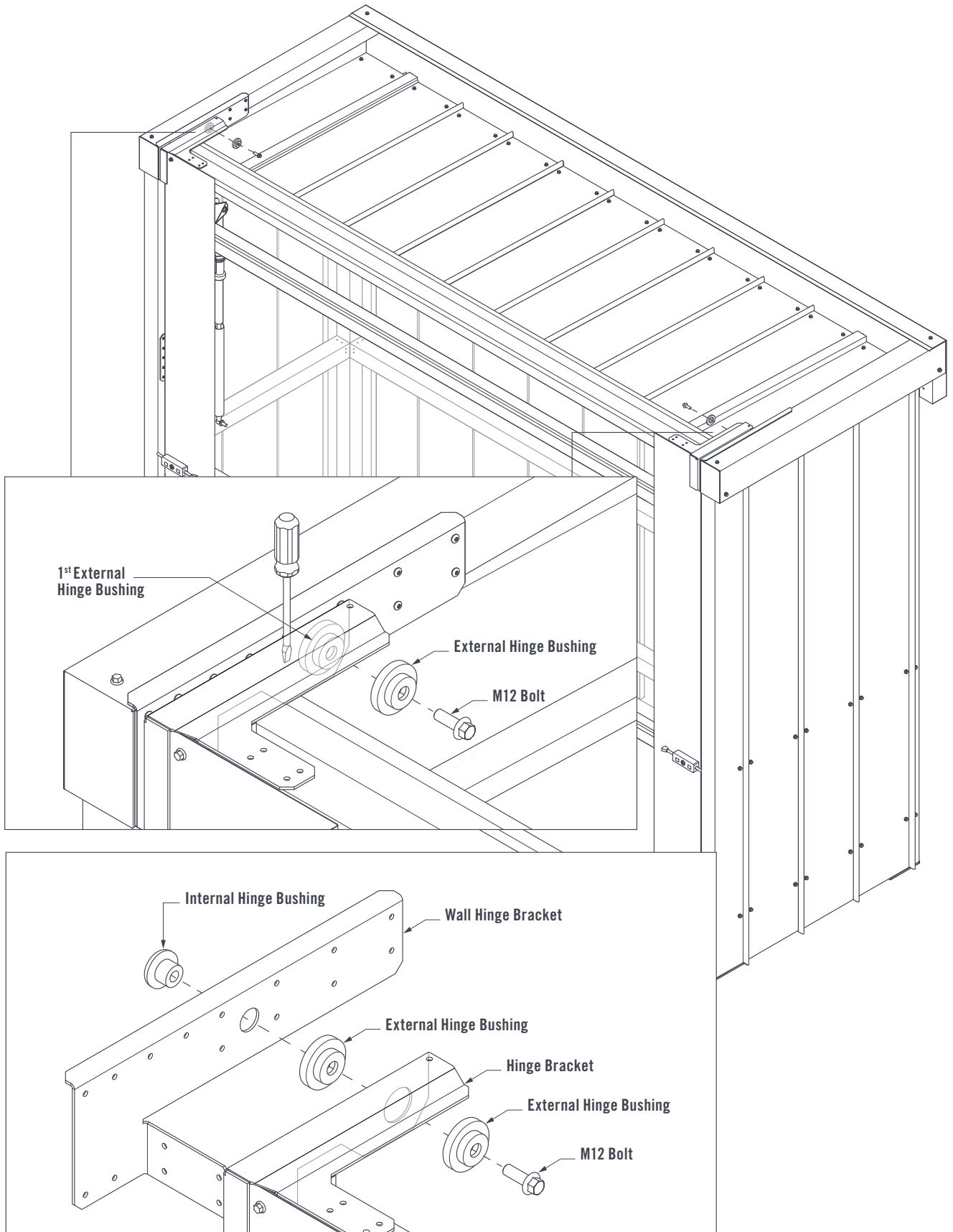


FIGURE 10.1

Ensure the gap between the Door Assembly and Main Assembly is equal on both sides. Fasten the Hinge Brackets to the Door Assembly using four Torx-Head Screws through the pilot holes provided (Figure 10.2).

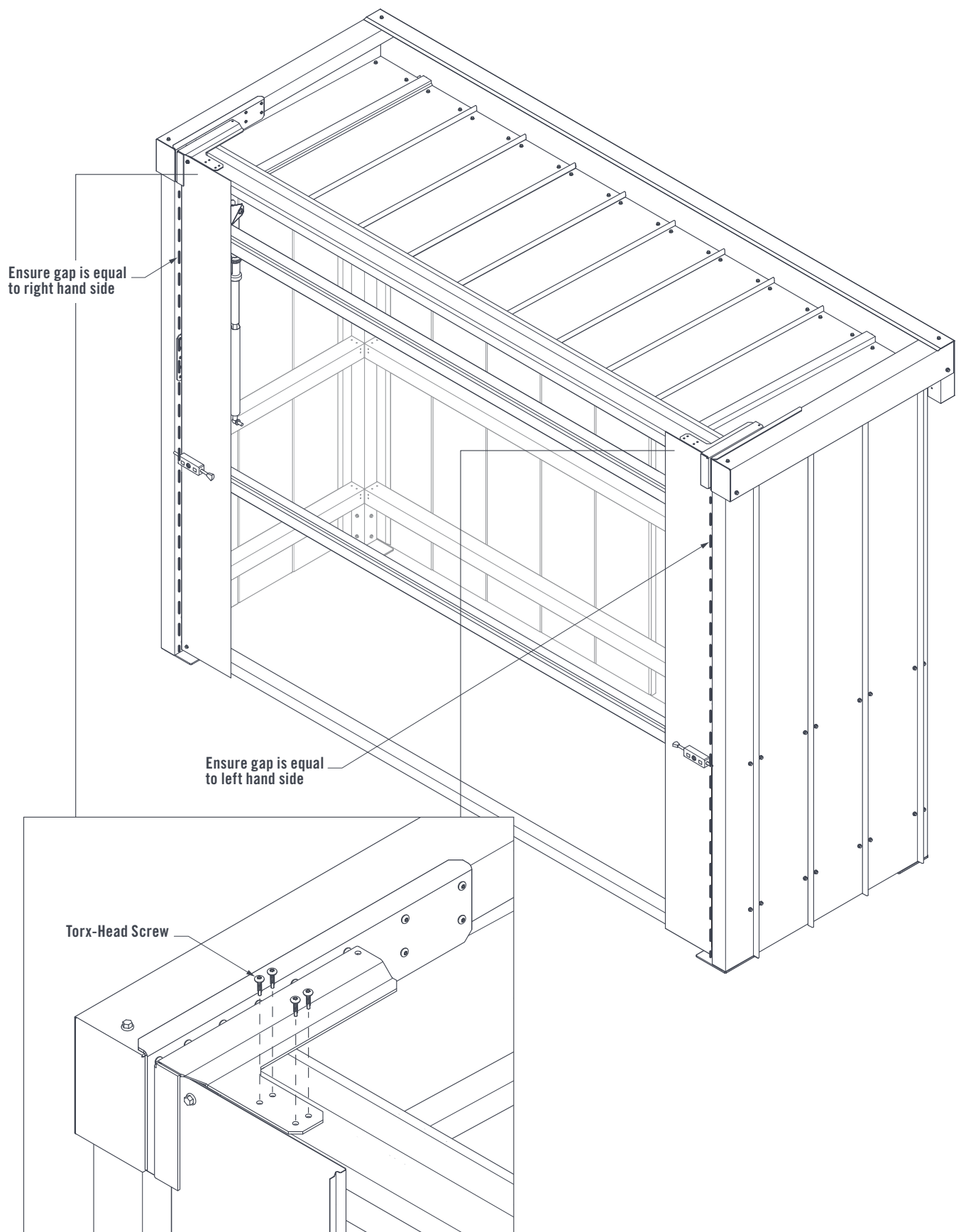


FIGURE 10.2

THE UMBRA® AWNING SHED INSTALLATION GUIDE

Mark the location of both Door Lock Shafts against the Front Wall Flashings (Figure 10.3).

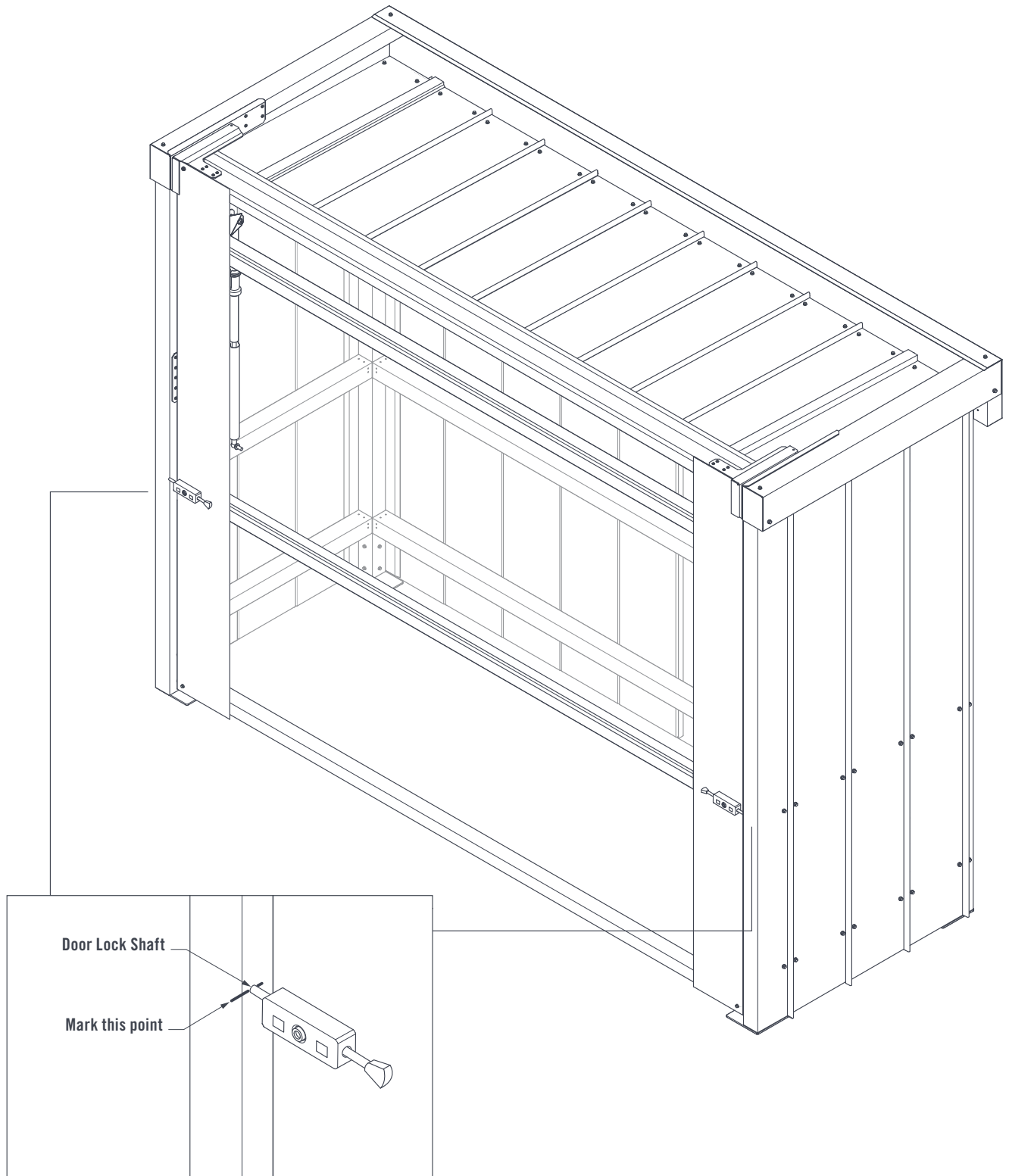


FIGURE 10.3

Note: The Door Assembly needs to be lifted to a height of 2.4m requiring 30kg of force to lift up. Two people may be required to safely lift the Door Assembly to the required height.

Lift the Door Assembly up and into the open position. Fit the M10 Washers over the Strut Bolts. Fit the Strut Bolts into the holes of the Lower Strut Brackets. Fasten the M10 Flanged Nuts to the Strut Bolts (Figure 10.4).

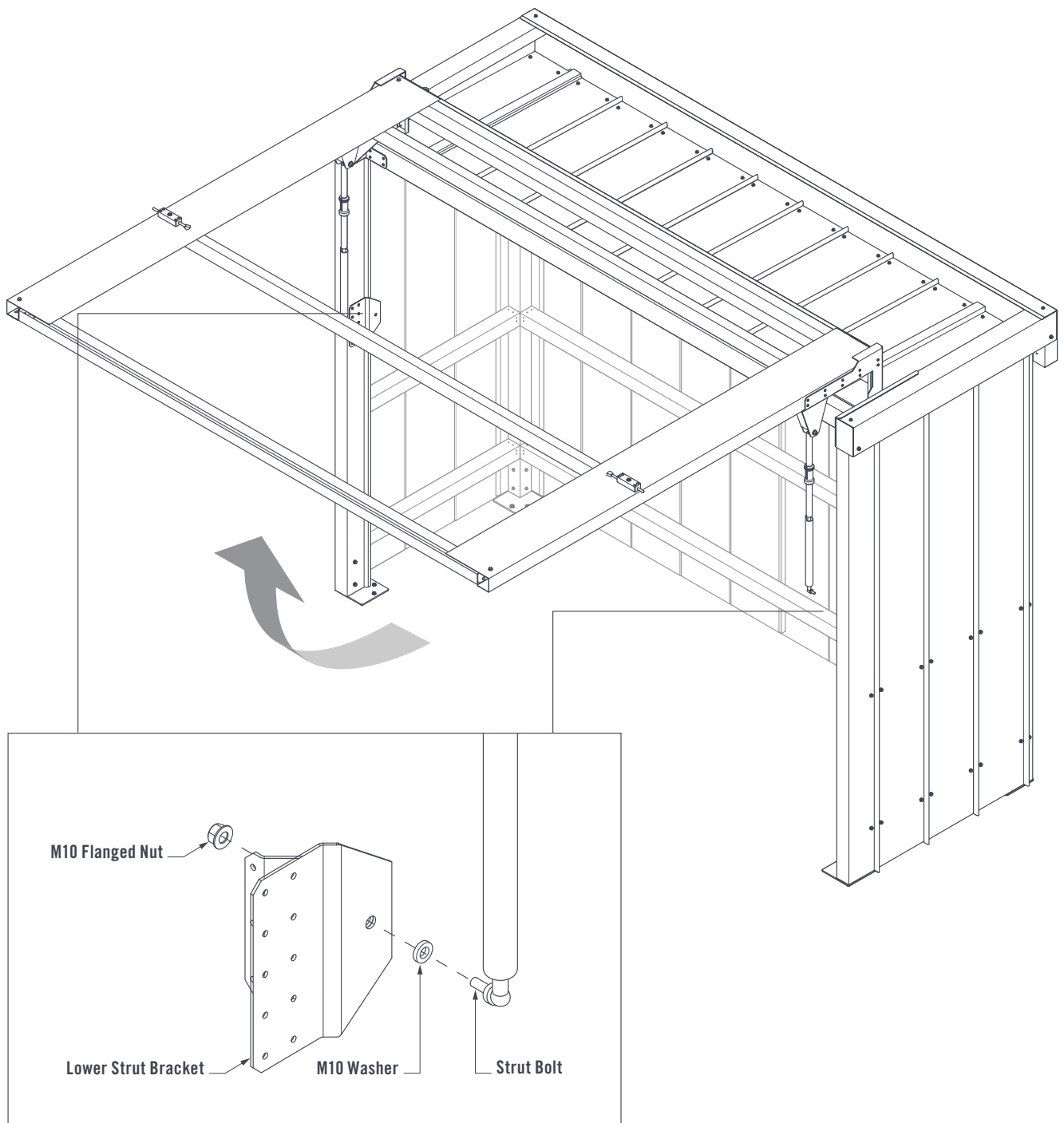


FIGURE 10.4

THE UMBRA® AWNING SHED INSTALLATION GUIDE

Fit the Bottom Door Flashing up against the 2575mm Frame. Fasten the Bottom Door Flashing onto the 2575mm Frame using 10Gx16mm Hex-Head Self-Drilling Screws 100mm from both ends and the remaining three screws 630mm apart. The underside face of the Bottom Door Flashing is angled to facilitate drainage (Figure 10.5).

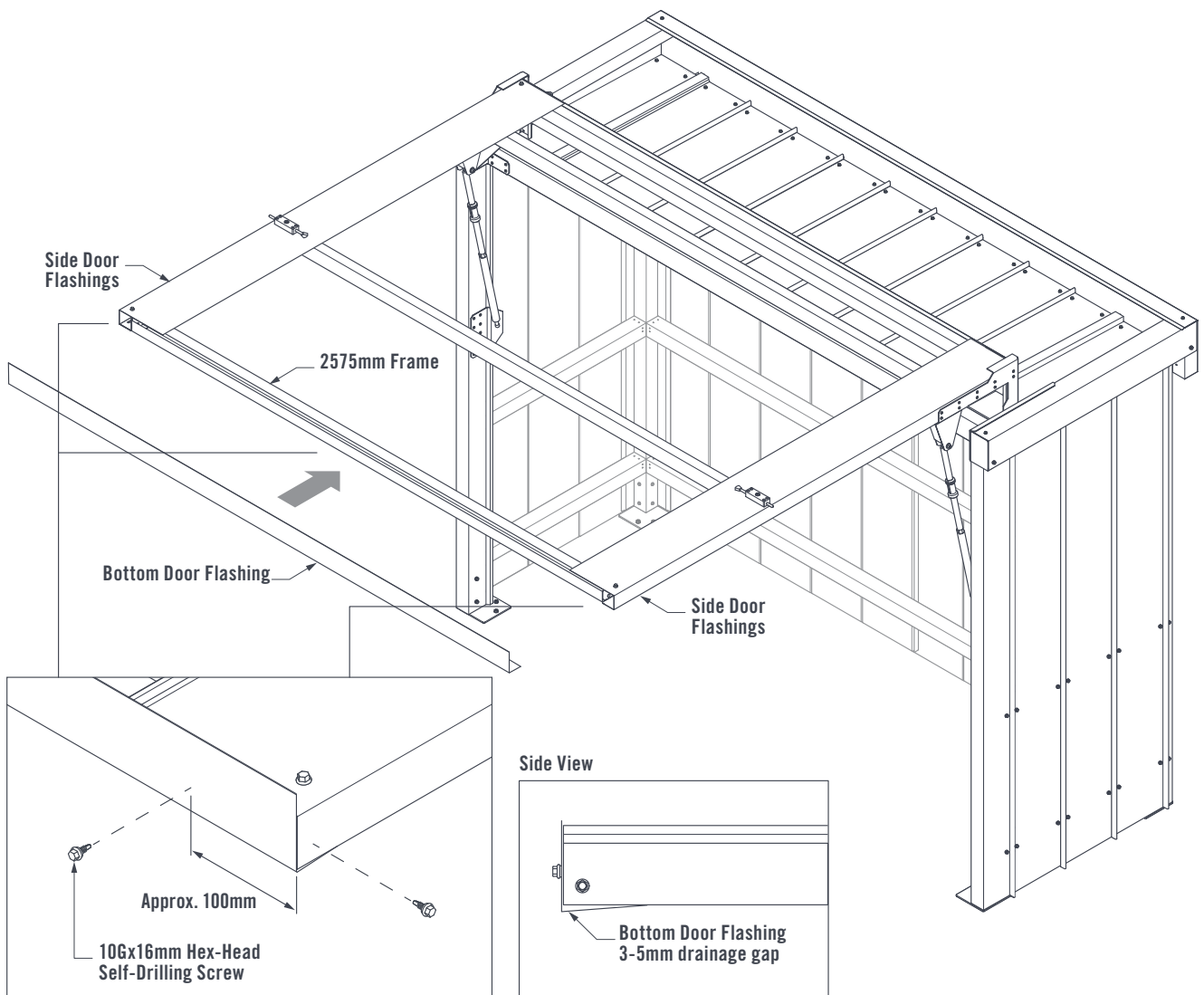


FIGURE 10.5

Fit the Pull Strap up against the mid-point of the 2575mm Frame. Fasten the Pull Strap to the 2575mm Frame using a 12Gx20mm Plain Hex-Head Self-Drilling Screw and an M8 Stainless Steel Washer (Figure 10.6).

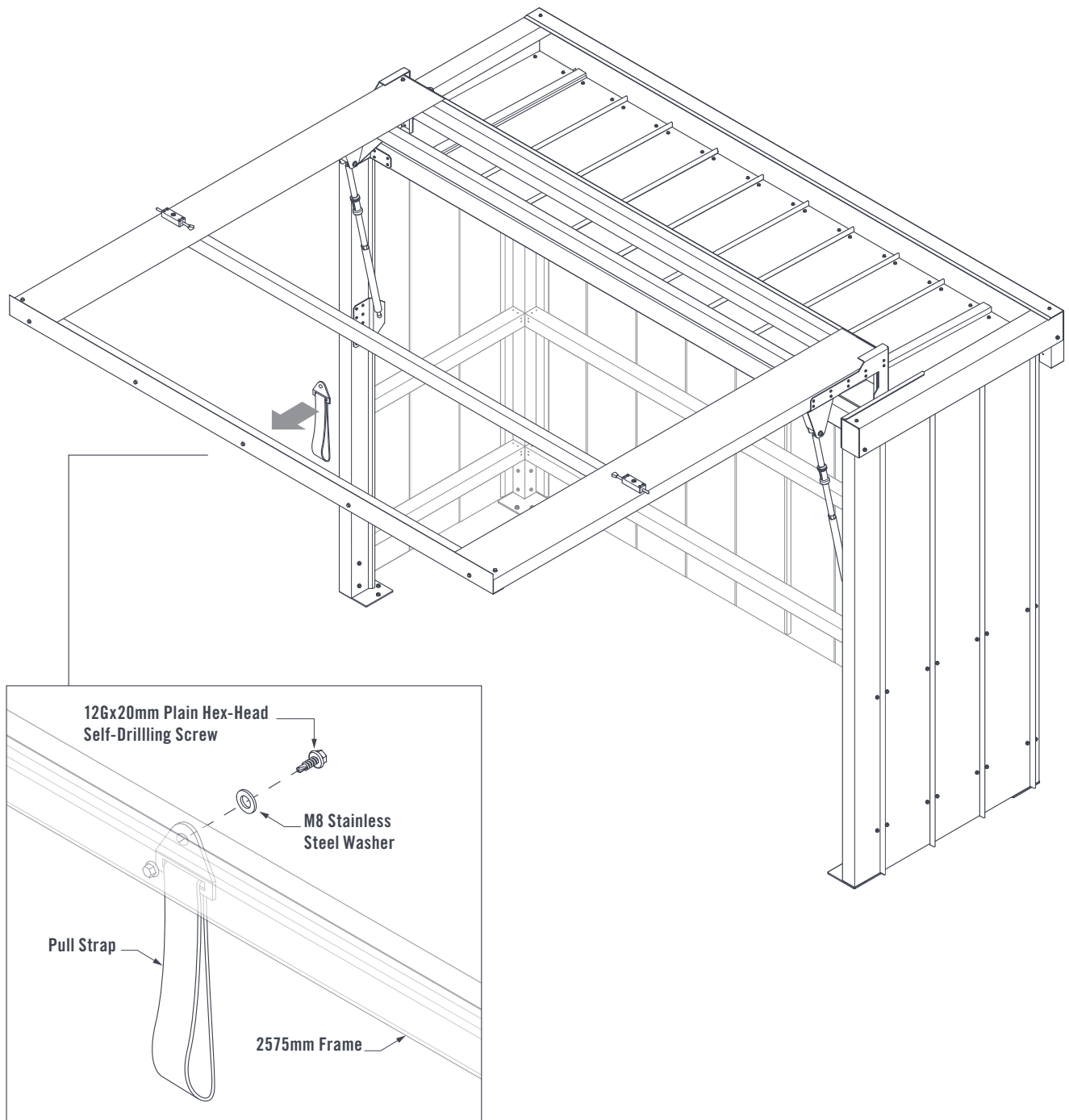


FIGURE 10.6

THE UMBRA® AWNING SHED INSTALLATION GUIDE

- 1) Using the mark from **Figure 10.3** as a guide, measure and mark the location of the Door Lock Shaft hole 15mm from the front edge of the Front Wall Flashings (Figure 10.7) Use a Step Drill Bit to drill a 20mm hole through the Front Wall Flashings.
- 2) Fit two Door Stop Brackets to the Front Wall Flashings. Ensure the elongated hole of the Door Stop Bracket is in-line with the drilled hole. Fasten both Door Stop Brackets to the Front Wall Flashings using four Torx-Head Screws through the pilot holes in each bracket. Fit two Door Stoppers through the outer holes of both Door Stop Brackets (Figure 10.7).

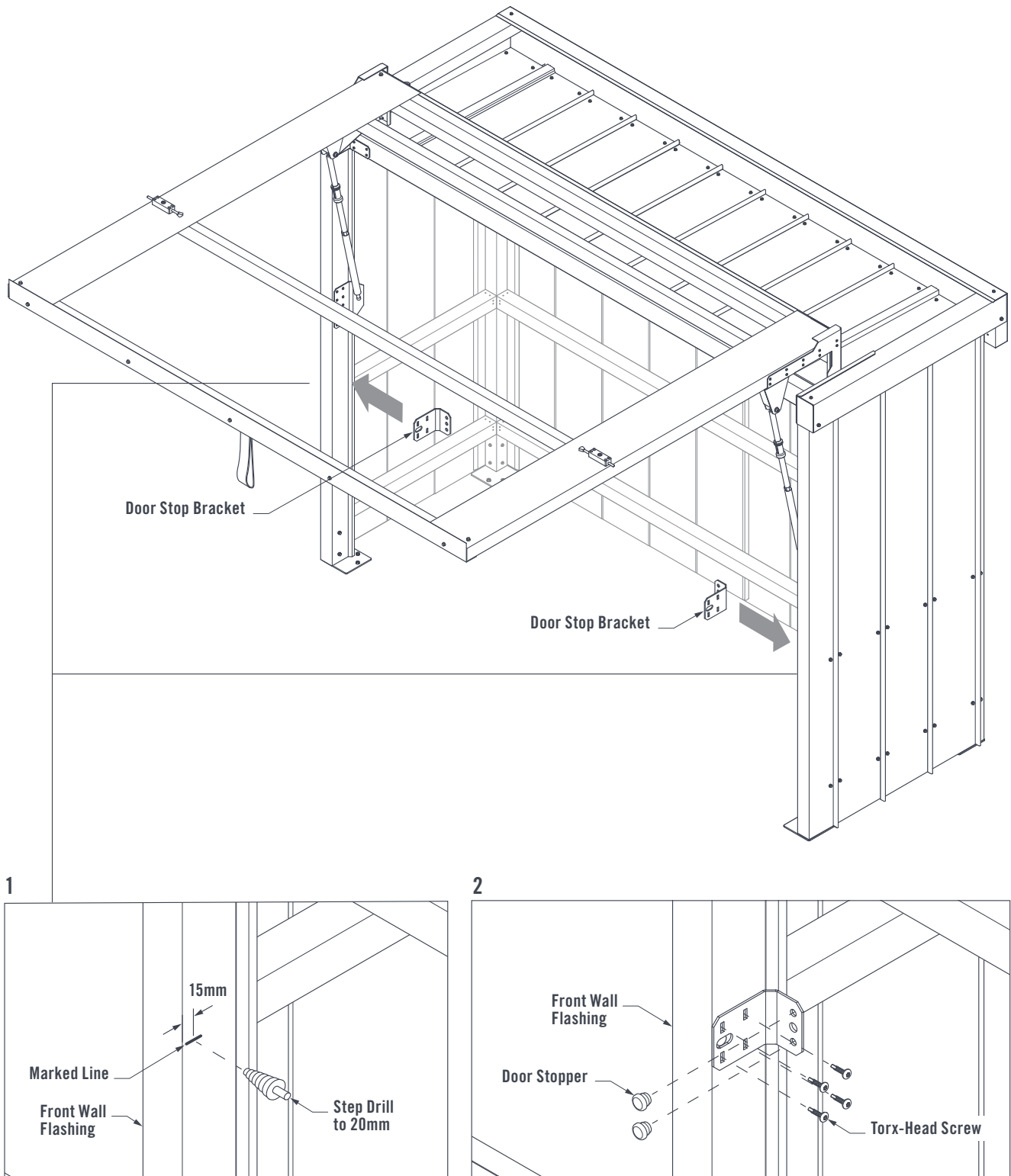
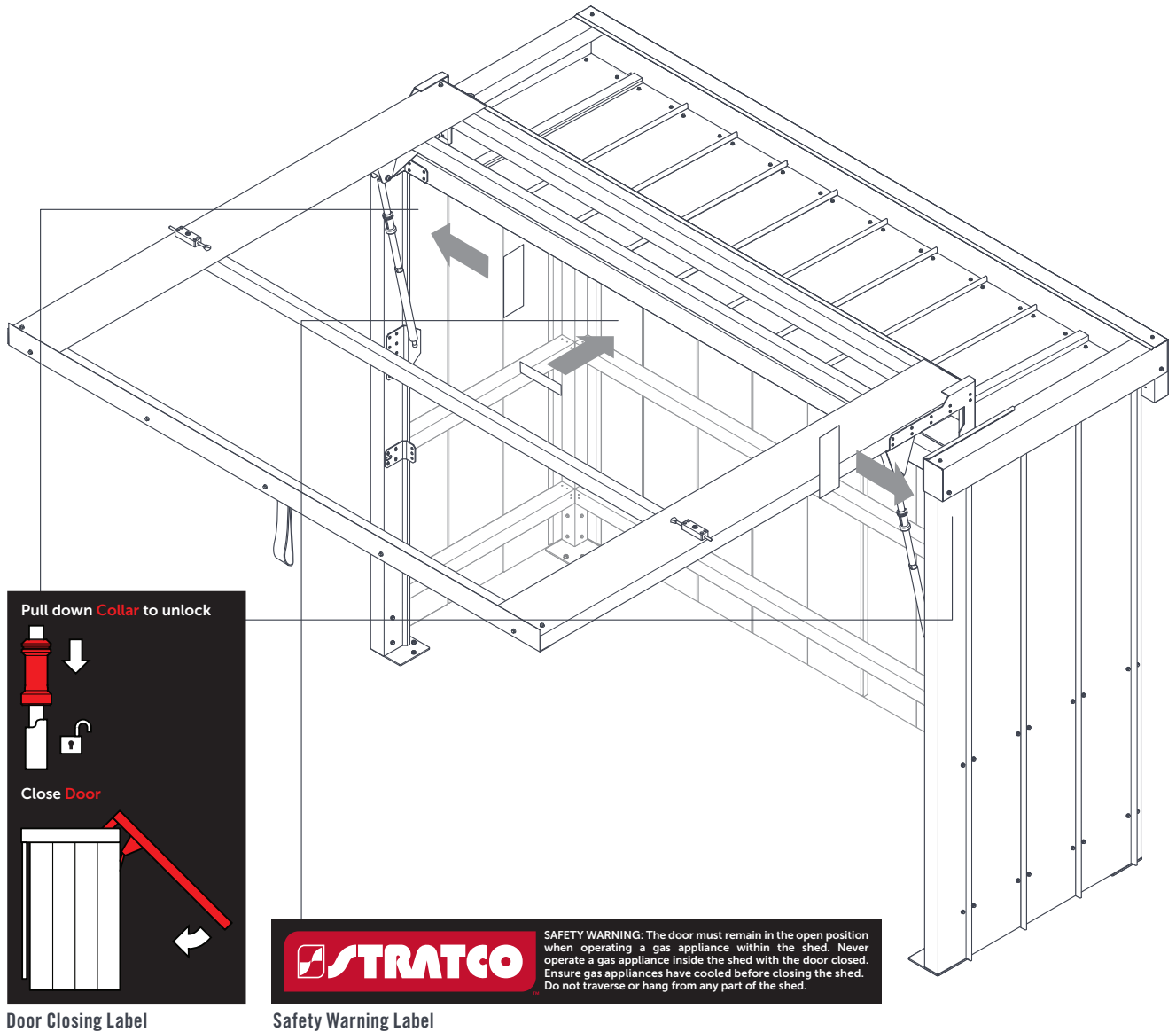


FIGURE 10.7

Adhere both Door Closing Labels to the inside of the Shed in a location near the Struts. Adhere the Safety Warning Label in a clearly visible location inside the Shed. The optimal location may be determined after any internal insulation panels, appliances or kitchen units have been installed (Figure 10.8).



Door Closing Label

Safety Warning Label

LIGHTING KIT (OPTIONAL)

Follow this step if installing a Lighting Kit, otherwise skip this step.

Close the door, referring to the 'Door Closing Label' if required. Fasten the 2570mm Light Flashing to the 2575mm Frame using four Torx-Head Screws. Back off the Torx-Head Screws so that the Light Flashing is loose.

Connect the Extension Cable to the Strip Light Cable Connector. Push the 2560mm Strip Light into the Light Flashing, tightening the Torx-Head Screws to lock the Strip Light into the Light Flashing (Figure 10.9).

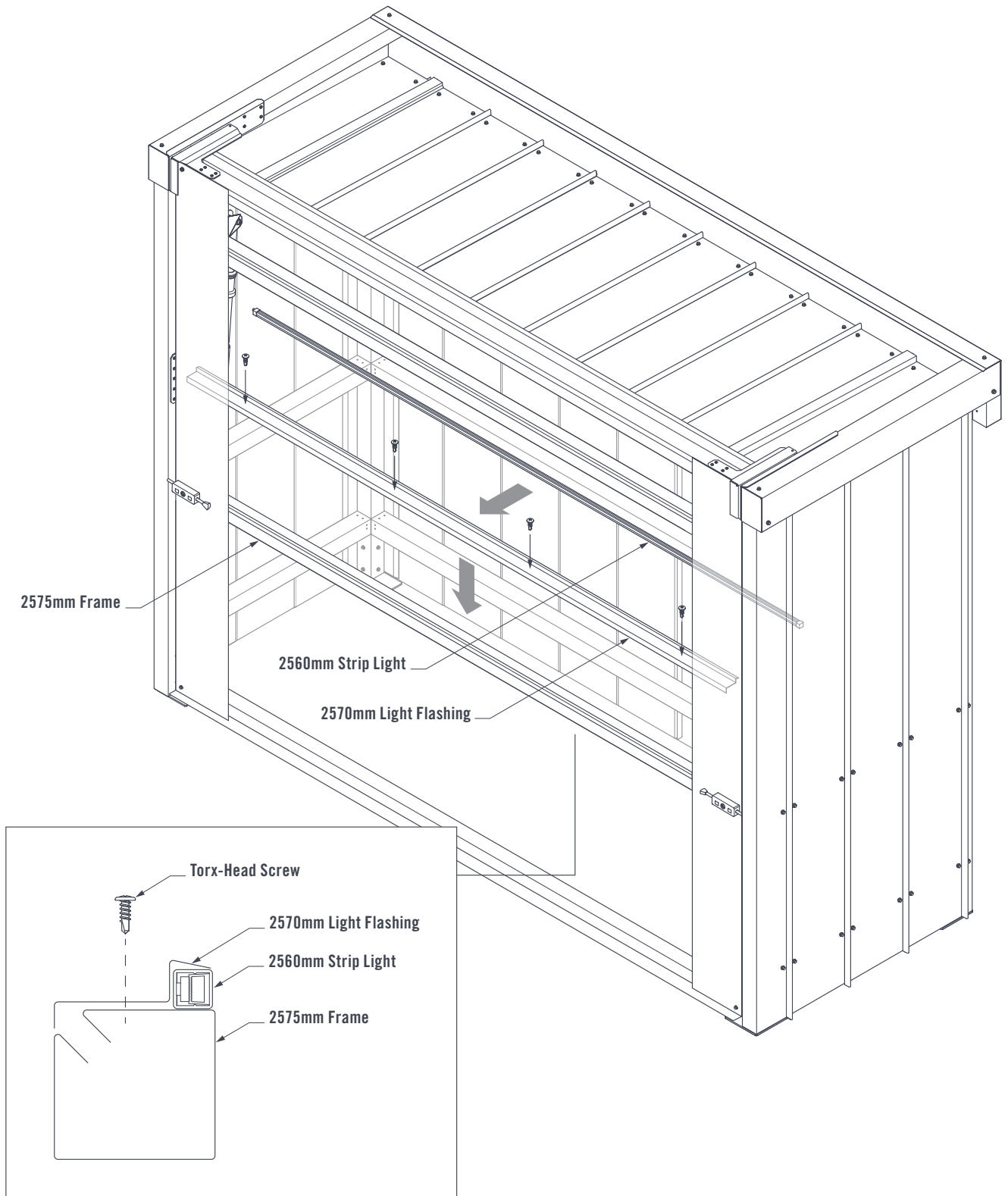


FIGURE 10.9

Follow this step if installing a Lighting Kit, otherwise skip this step.

Use the Step Drill Bit to drill a 12mm hole through the LH Roof Sheet 100mm from the Double Height Beam and 40mm from the front 2740mm Frame. Connect the male end of the Panel Connector Cable to the Splitter Cable (Figure 10.10).

Remove the Nut and one O-ring from the Panel Connector Cable. Fit the Panel Connector Cable through the 12mm hole and reinstall the O-ring and Nut on the top side of the Roof Sheet ensuring the nut is tight to prevent water ingress (Figure 10.10).

Connect the Extension Cable to the Panel Connector Cable Plug. The Extension Cable can be tied to the Hinge Bracket with a Cable Tie (Figure 10.10).

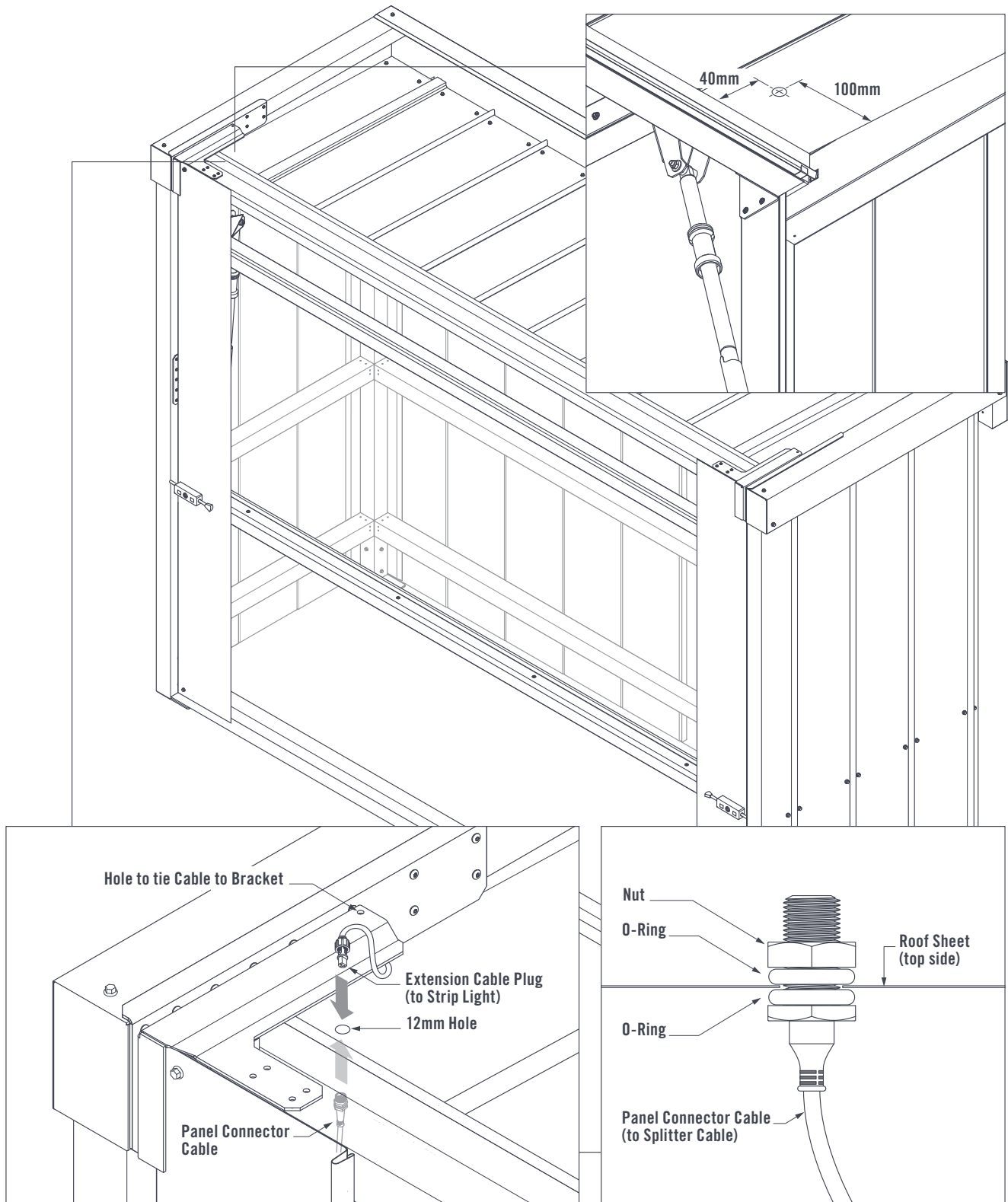
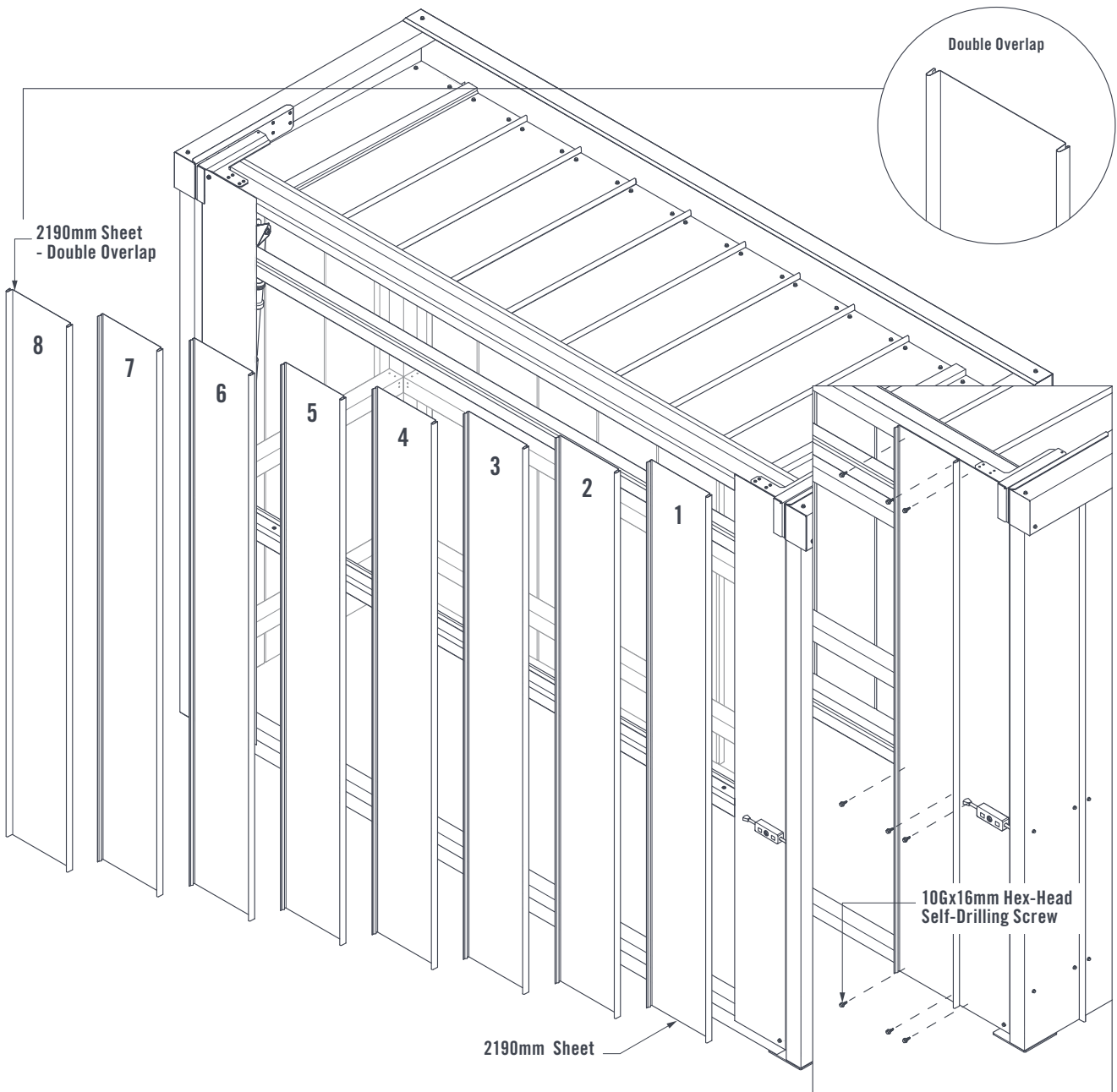


FIGURE 10.10

THE UMBRA® AWNING SHED INSTALLATION GUIDE

Close the door, referring to the 'Door Closing Label' if required. Ensuring the Frame is square, fasten the remaining Sheets in the order indicated below using six 10Gx16mm Hex-Head Self-Drilling Screws in each Sheet. Ensure the first 2190mm Sheet is approximately 240mm from the edge of the Side Door Flashing (Figure 10.11).



Sheet Layout

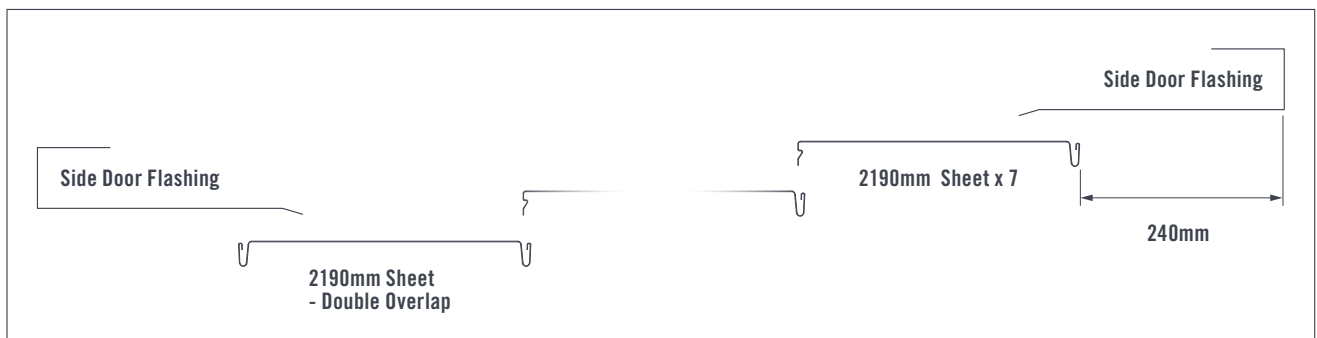


FIGURE 10.11

Position the Top Door Flashing over the Hinge Brackets. Fasten the Top Door Flashing to the Hinge Bracket using two 10Gx16mm Hex-Head Self-Drilling Screws at each end (Figure 10.12).

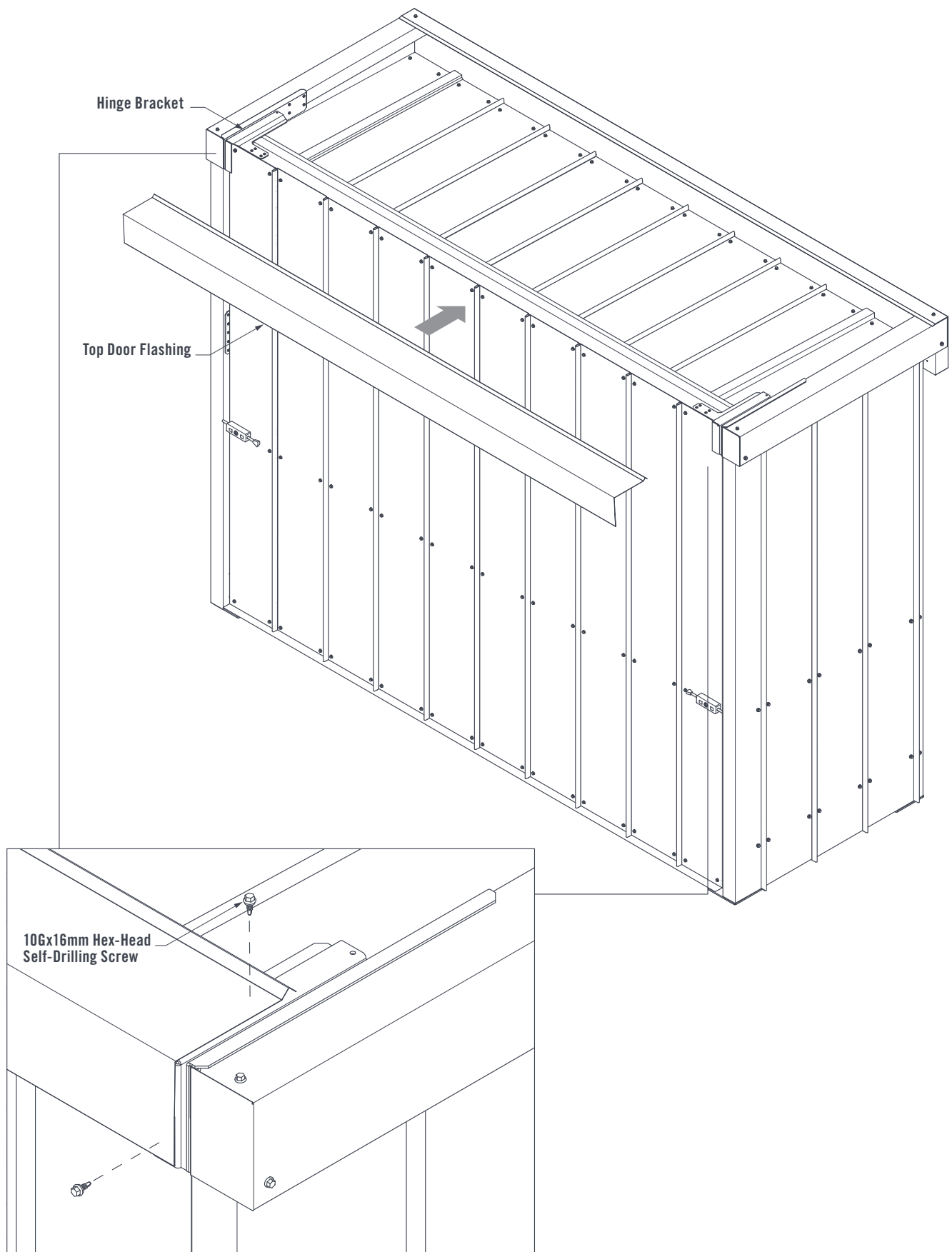


FIGURE 10.12

THE UMBRA® AWNING SHED INSTALLATION GUIDE

Position the Door Handle to the mid-point of the Door Assembly, and 30mm from the bottom of the door, ensuring the Door Handle is in-line with the 2575mm Frame and mark the mounting hole locations. Drill through the Frame using a 9mm drill bit. Fasten the Door Handle to the Door Assembly using two M8 socket head bolts with washers and Nyloc nuts (Figure 10.13).

Brush away any metal swarf from the Flashings, Roof and Gutter to avoid rust stains.

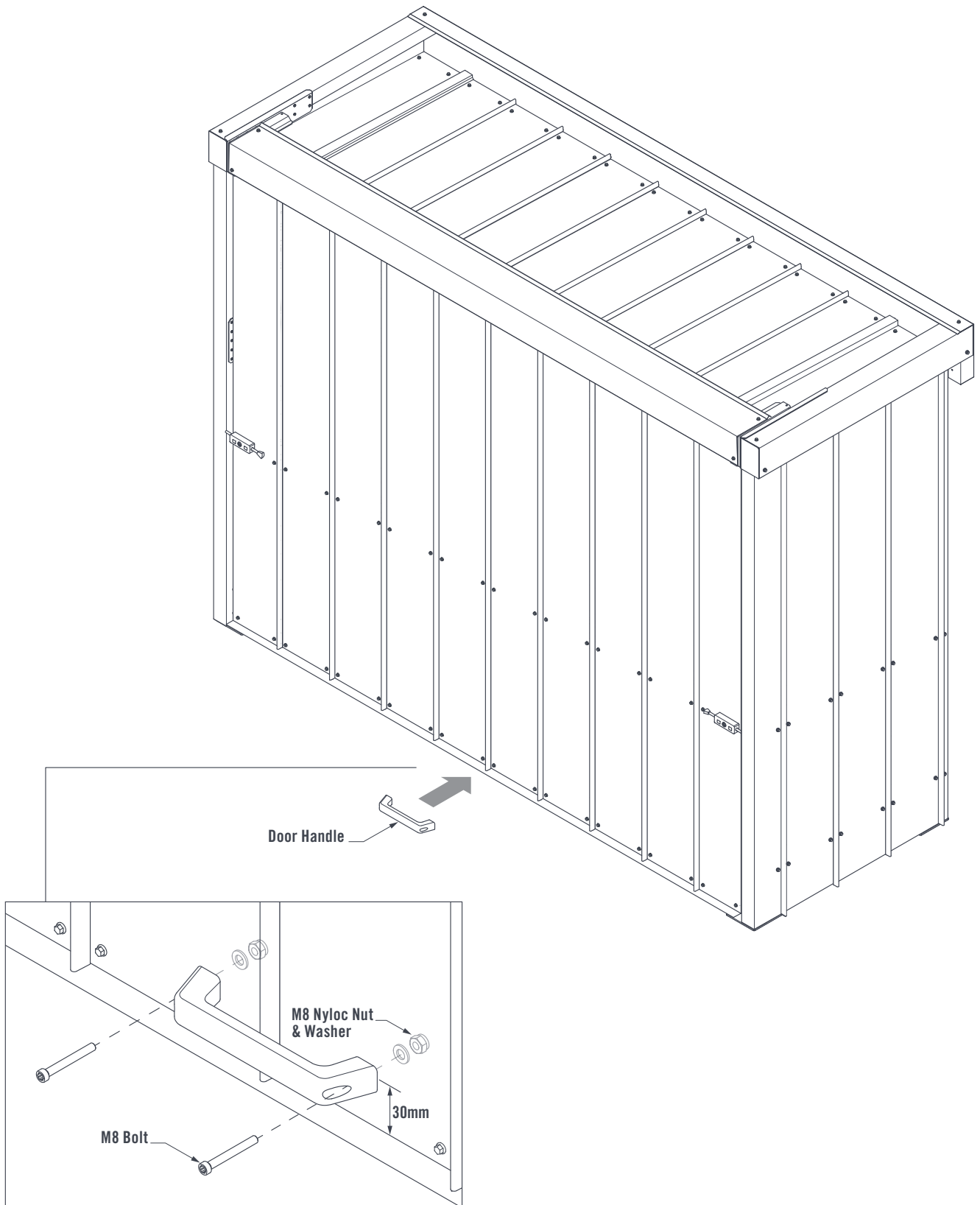


FIGURE 10.13

USE OF GAS APPLIANCES

WARNING: the use of gas appliances such as a heater or barbecue inside the shed will cause a build up of heat. Care must be taken when installing and operating gas appliances, ensuring all installation requirements of the product are adhered to. Never operate a gas appliance inside the shed with the door closed. Ensure gas appliances have cooled before closing the shed.

Visit the Gas Technical Regulators Committee website at www.gtrc.gov.au for information pertaining to relevant standards and requirements for safe use of gas appliances. Alternatively visit your local Stratco store or consult a certified gas fitter for more information.

Stratco offer an optional Gas Safety Shut-Off System which has been specifically designed for use with gas appliances within the shed. This safety system provides additional safety when operating gas appliances in the shed.

The safety system must be installed by a certified gas fitter. It is the responsibility of the shed installer to ensure the gas safety system is installed by a certified gas fitter.

GAS SAFETY SHUT-OFF SYSTEM INSTALLATION

COMPONENTS

1 : Control Box

Operation: Controls system power to the Solenoid Valve based on inputs from the Door Switch and Gas Detector.

ON-OFF: Indicates status of system power. Press to restore system power.

TEST: Press to test system operation.

SENSOR - FAULT: Light on if the system has a fault.

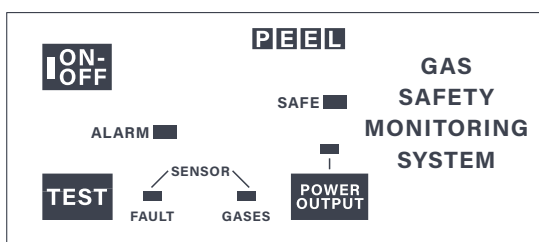
SENSOR - GASES: Light on if the Gas Detector detects gas.

ALARM: Light on and alarm sounds when fault or ambient gas is detected.

POWER OUTPUT: Green light on when Solenoid Valve is powered on.

SAFE: Blue light on when system is operational.

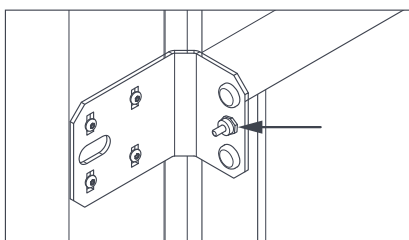
Placement: Mount the control box in the desired location so that it is easily visible and accessible.



2A/ 2B : Door Switch

Operation: Turns off the system power when activated by closing the Door. To restore system power, open the Door and press the 'ON-OFF' button on the Control Box.

Placement: Mount the Door Switch to either the left or right Door Stop Bracket, in either position 2A or 2B. Once installed, test that the Door Switch is activated when the Door is closed. Adjust the position of the switch if required.

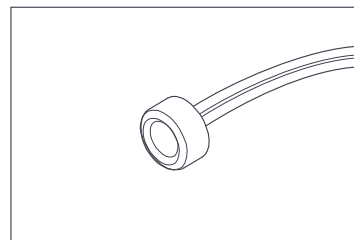


3A/ 3B : Gas Detector

Operation: Cuts system power and sounds alarm if a threshold of gas is detected within the ambient air. Once ambient gas levels dissipate, press the 'ON-OFF' button on the Control Box to restore system power.

Placement: LPG installations (3A): Select the lowest practical location for the Gas Detector as close as possible to the potential source of a gas leak (Typically below/ behind the appliance).

Natural Gas installations (3B): Select the highest practical location for the Gas Detector above the potential source of a gas leak. Do not mount sensors where they may be exposed to water, dampness, stood on or physically damaged.

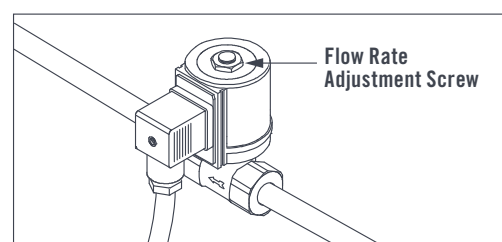


4 : Solenoid Valve

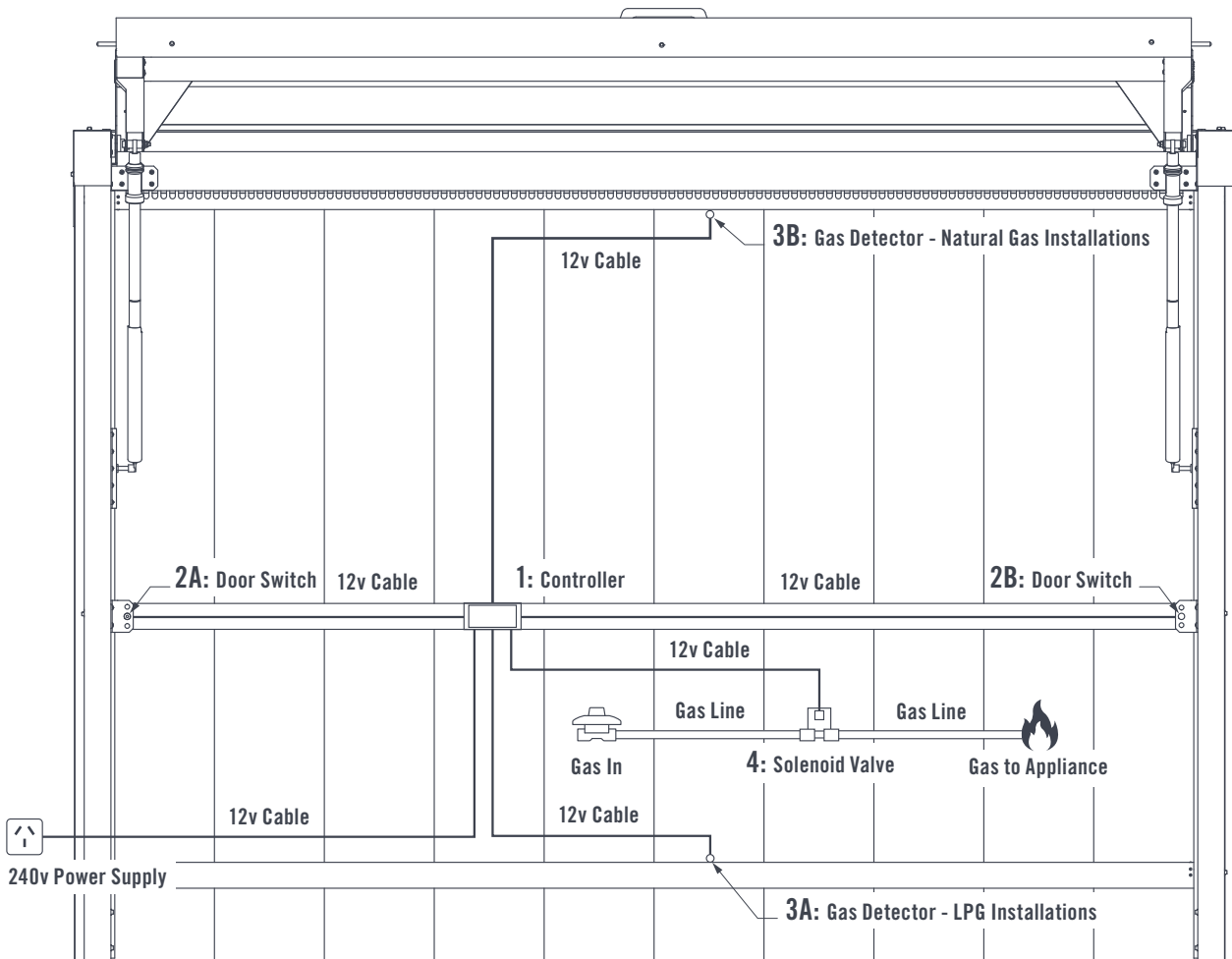
Operation: Stops gas flow when system power is off or a fault is detected. Solenoid is closed when system power is off. Solenoid opens when system power is restored by pressing 'ON-OFF' button on the Control Box.

The Flow Rate Adjustment Screw must be adjusted for LPG or Natural Gas installations accordingly.

Placement: Fit the Solenoid Valve into the gas line between the Gas Regulator and appliance, ensuring the flow is correct as indicated on the valve.



SYSTEM LAYOUT



SYSTEM OPERATION

Once the door is opened, press the 'ON-OFF' button on the Control Box. One short beep will sound and the ON-OFF light will turn green. Wait approximately 10 seconds for the system to complete system and fault checks and open the Solenoid Valve. Completion of the startup procedure is indicated by two short beeps. The blue 'SAFE' light will turn on, indicating the system is safe and operational. The green 'POWER OUTPUT' light will also turn on, indicating the Solenoid Valve is open and allowing the flow of gas.

Press the 'ON-OFF' button to shut down the system and stop gas flow. Always follow safe practice by fully closing the upstream gas valve. If the door is closed with the system power on, the system power will be turned off, the Solenoid Valve will be closed and the flow of gas to the appliance will stop.

In the occurrence that mains power is cut to the system, the Solenoid Valve will be closed and the flow of gas to the appliance will stop. When mains power is reinstated, the system power will remain off until the system is manually turned back on.

Pressing the 'TEST' button will manually test the system. This will trigger the ALARM and stop the flow of gas. Regularly perform the test function to ensure the system is operating correctly.

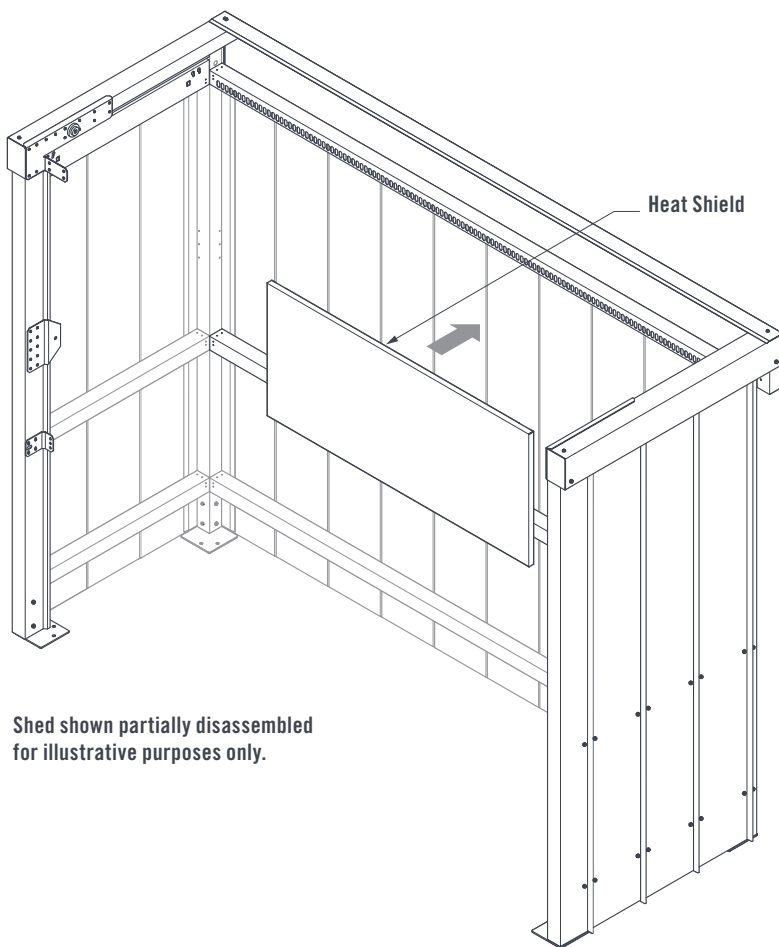
If the 'FAULT' light is on, the Gas Detector is not connected or a cable is damaged.

If the 'GASES' light is on, the Gas Detector has detected ambient air gas levels above the safe threshold and the flow of gas will stop.

OPTIONAL ADD-ON - HEAT SHIELD INSTALLATION

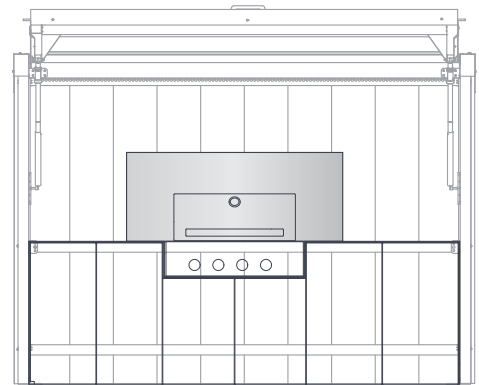
The use of gas appliances in close proximity to the Wall Sheets may cause a build up of heat in excess of the maximum allowable heat exposure (100° C). It is recommended to install a Heat Shield to facilitate heat insulation in instances where a gas appliance will be used within the shed. The Panels are fitted within the Frame and against the Rear Wall Sheets.

Confirm the location of the gas appliance within the Shed. Ensure the Heat Shield is positioned directly behind the gas appliance. 1) Mark lines along each corner of the Heat Shield. 2) Using the marked lines as a guide, drill a small pilot hole approximately 10mm in from the marked lines through the Rear Wall Sheets. 3) Re-fit the Heat Shield into position. From outside the Shed, fasten a 10Gx16mm Hex-Head Self-Drilling Screw through the pilot holes and into the Heat Shield at each corner (Figure 11.0).

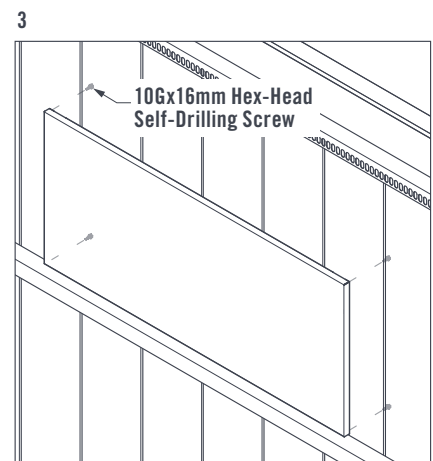
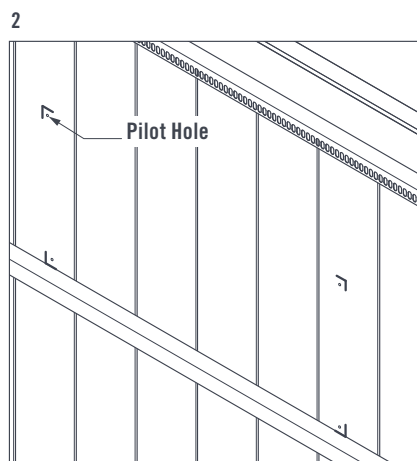
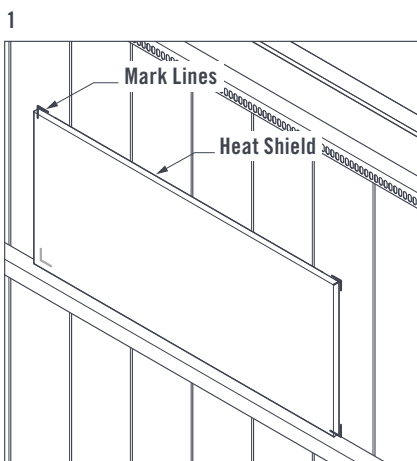
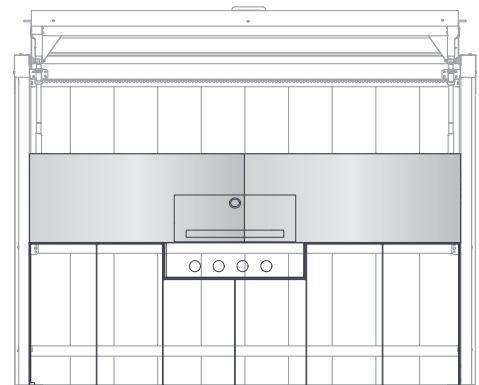


Shed shown partially disassembled for illustrative purposes only.

Single Heat Shield Panel



Double Heat Shield Panel



OPTIONAL ADD-ON - PEGBOARD INSTALLATION

Pegboards can be installed anywhere along the back or side walls. Up to six Pegboards can be installed along the rear wall and one on each side.

Align the base of the Pegboard with the Frame and push into place so that the tab has clipped into the Frame channel. Fasten through the Pegboard pilot holes and into the Frame with three Wafer-Head Screws (Figure 12.0).

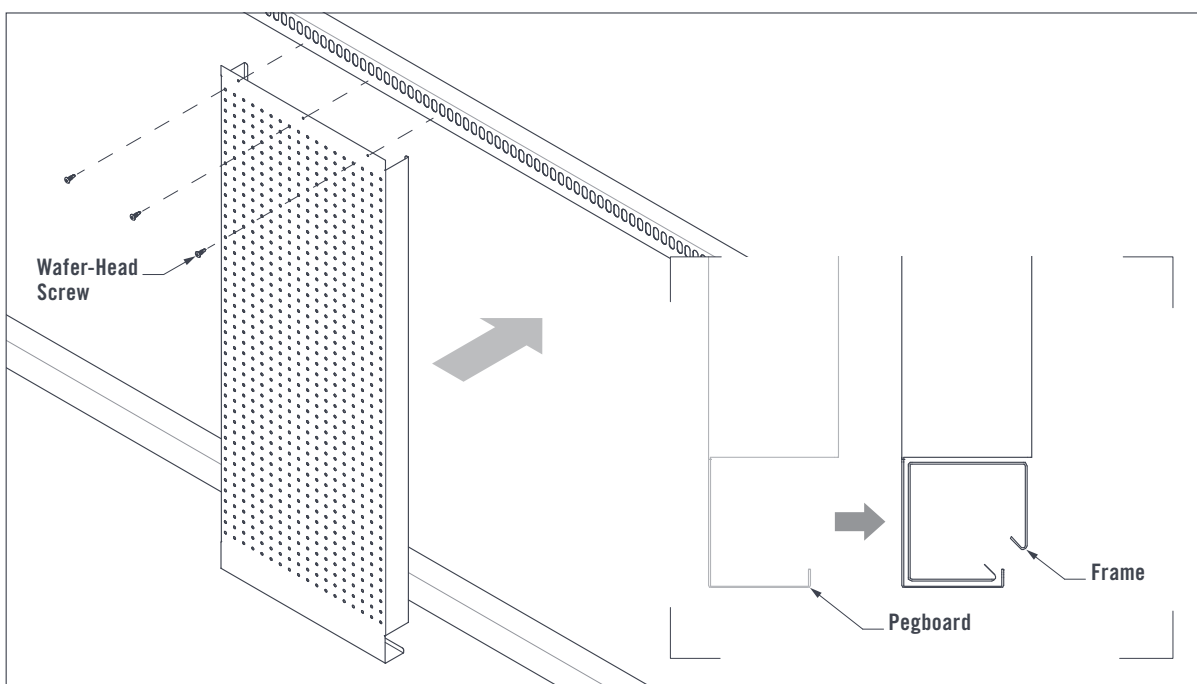
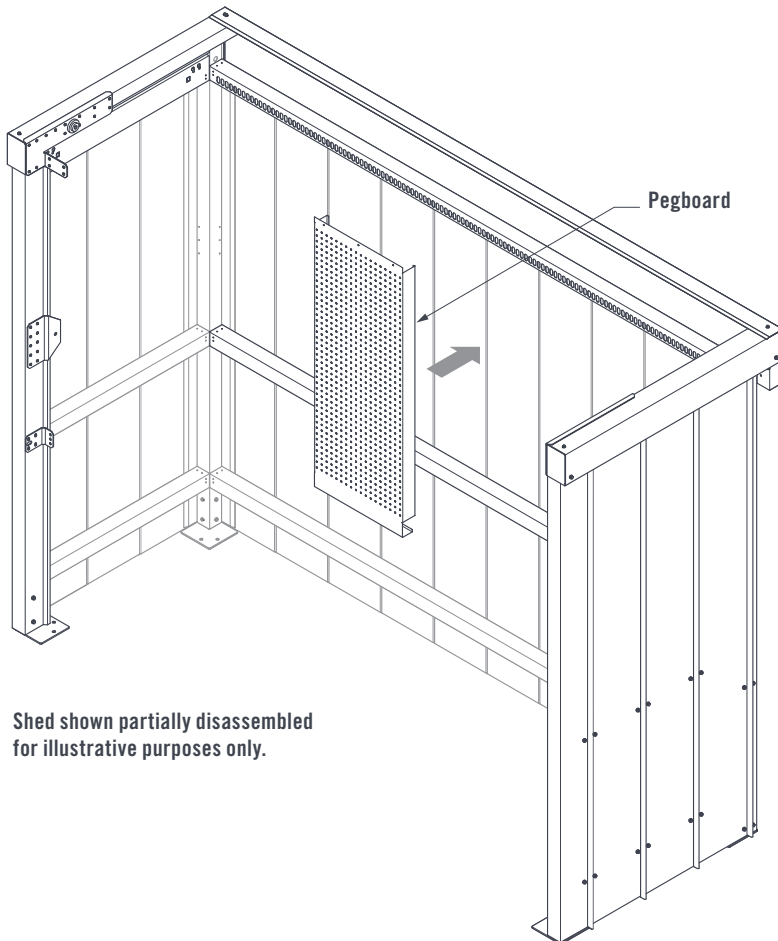
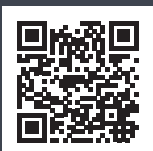


FIGURE 12.0



MAINTENANCE

Regular maintenance is essential to maintain the good looks of The Umbra® Awning Shed and to ensure you receive the maximum lifespan possible. Washing with clean water must be frequent enough to prevent the accumulation of dust, salts, and pollutants which may reduce the life of the product. No material that retains water (such as dirt or paving sand) should be placed against The Umbra® Awning Shed. Refer to the 'Selection, Use and Maintenance' brochure on the Stratco.com.au website for more information.



« SCAN THIS QR CODE TO FIND A STRATCO NEAR YOU

1300 155 155
stratco.com.au

All brands and logos/images accompanied by ® or ™ are trade marks of Stratco (Australia) Pty Limited. © Copyright October 2024

How To.

